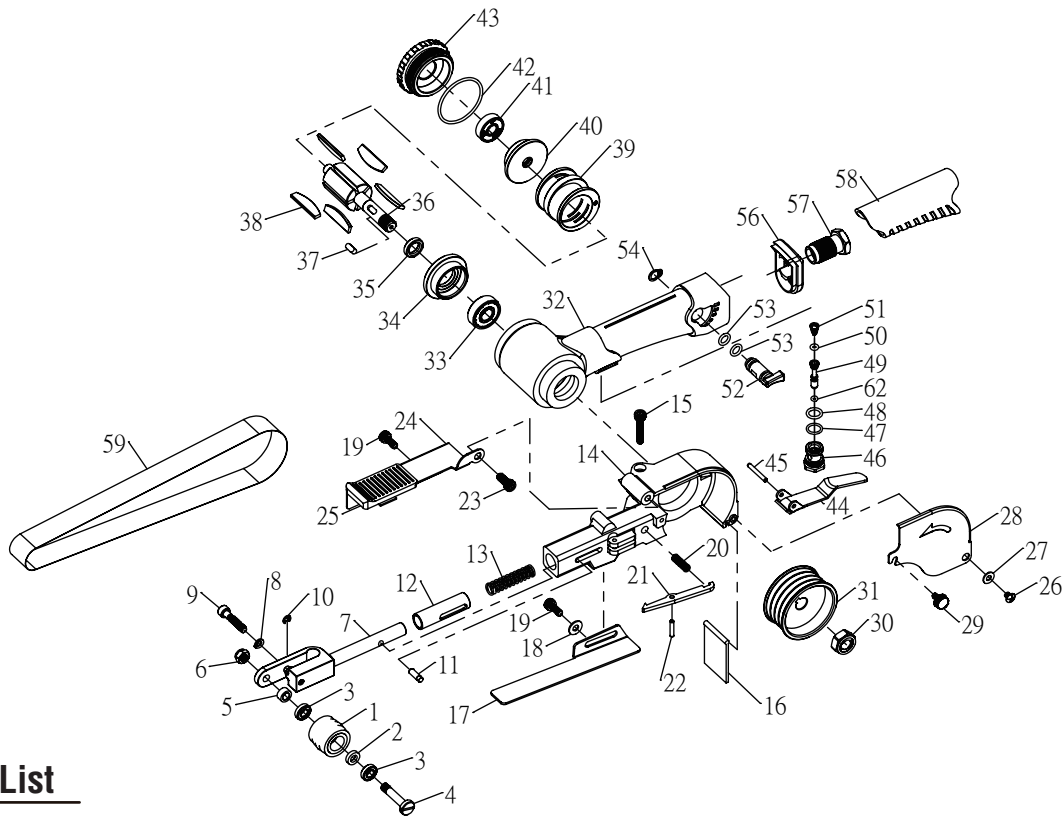


PARTS BREAKDOWN



Parts List

Index	Part No.	Description	Qty	Index	Part No.	Description	Qty	Index	Part No.	Description	Qty
1	3035-01	Idle Pulley	1	22	3035-22	Spring Pin (Ø3×12)	1	43	3035-43	Cap	1
2	3035-02	Washer	1	23	3035-23	Pan Head Screw (M6×10)	1	44	3035-44	Throttle Lever	1
3	3035-03	Ball Bearing(686zz)	2	24	3035-24	Finger Plate	1	45	3035-45	Spring Pin (Ø3×20)	1
4	3035-04	Idle Pulley Shaft	1	25	3035-25	Anti-Slip Spacer	1	46	3035-46	Valve Body	1
5	3035-05	Washer	1	26	3035-26	Pan Head Screw (M4×6)	1	47	3035-47	O-Ring (S011.2)	1
6	3035-06	Hexagon Nut (M6)	1	27	3035-27	Washer (M4)	1	48	3035-48	O-Ring (P-9)	1
7	3035-07	Tension Bar	1	28	3035-28	Belt Cover	1	49	3035-49	Valve Stem	1
8	3035-08	Spring Washer (M5)	1	29	3035-29	Decorative Screw (M4×8)	1	50	3035-50	O-Ring (P3)	1
9	3035-09	Hexagon Scket Head Bolt(M5×28)	1	30	3035-30	Hex. Nut M10	1	51	3035-51	Valve Spring	1
10	3035-10	E-Ring(E3)	1	31	3035-31	Drive Pulley	1	52	3035-52	Air Regulator	1
11	3035-11	Stopper Pin	1	32	3035-32	Housing	1	53	3035-53	O-Ring (P7)	2
12	3035-12	Guard Bushing	1	33	3035-33	Ball Bearing (6000ZZ)	1	54	3035-54	External Stop Ring (STW-8)	1
13	3035-13	Tension Spring	1	34	3035-34	Front End Plate	1	56	3035-56	Exhaust Diffuser	1
14	3035-14	Guard Sub Ass'y 12	1	35	3035-35	Spacer	1	57	3035-57	Inlet Bushing	1
15	3035-15	Head Cap Screw (M5×30)	1	36	3035-36	Rotor	1	58	3035-58	Housing Cover	1
16	3035-16	Dust Cover	1	37	3035-37	Parallel Key Both Ends Round 4×4×9.5	1	59	30351	Sanding Belt 80 Grit - 20 x 520mm	1
17	3035-17	Shoe	1	38	3035-38	Rotor Blade	5	60	30352	Sanding Belt 100 Grit - 20 x 520mm	1
18	3035-18	Washer(M5)	1	39	3035-39	Cylinder	1	61	3035-61	O-Ring (AS-004)	1
19	3035-19	Cap Screw (M5×10)	2	40	3035-40	Rear End Plate	1				
20	3035-20	Stopper Spring	1	41	3035-41	Ball Bearing (608zz)	1				
21	3035-21	Stopper	1	42	3035-42	O-Ring (S38)	1				