



**Astro Pneumatic
Tool Company**

372 Old US Highway 52 South
Mount Airy, NC 27030

Model:

3082

Product Type:

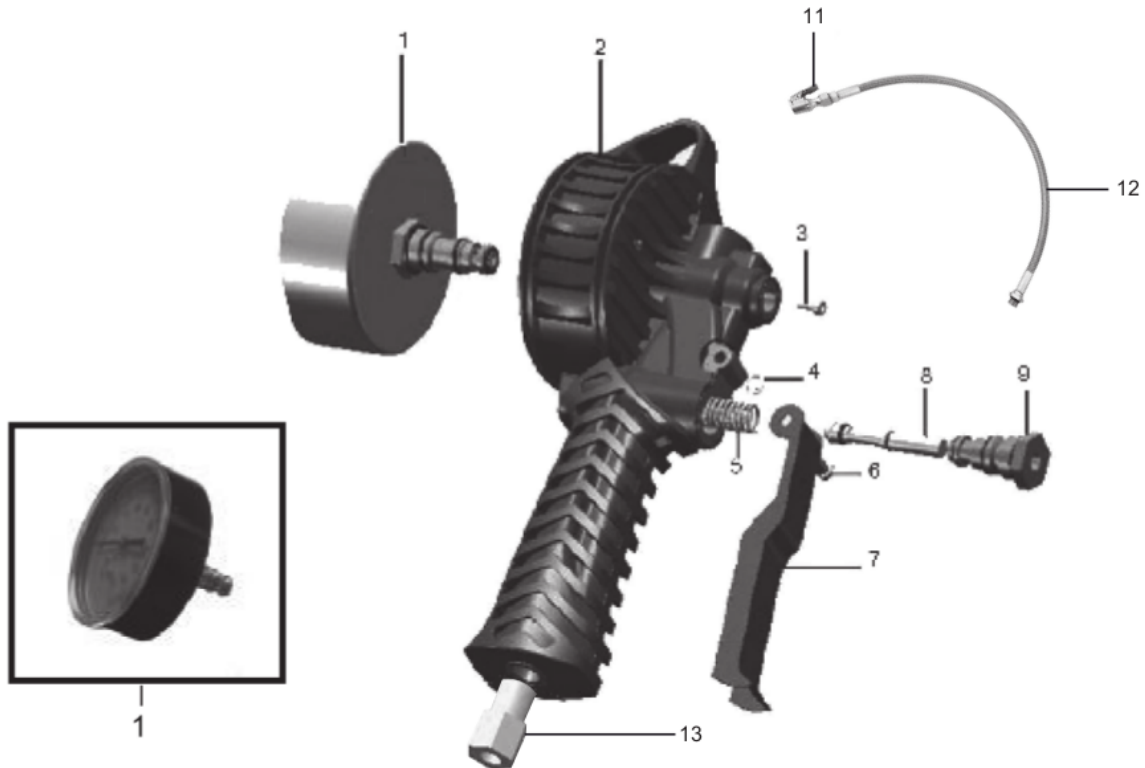
**TPMS DIAL TIRE INFLATOR
W/ STAINLESS HOSE - 0-65PSI**

OPERATING INSTRUCTION:

1. Remove tire valve cap.
2. With clip-on air chuck lever depressed, firmly press chuck onto tire valve stem and release lever, ensure that no air leaks.
3. Press the grip to inflate, press the grip half-way to deflate.
4. Measuring Range: 0-65psi, Reading Range: 2-65psi

PARTS BREAKDOWN

Call 1.800.221.9705 for questions concerning performance of the product or other inquiries.



Parts List

Index No.	Part No.	Description	Qty
1	3082-01	Analogue Gauge Assembly	1
2	3082-02	Main Body	1
3	3082-03	Hex Screw Ø3,5*8	1
4	3082-04	Circlip Ø3,5	2
5	3082-05	Spring 0,85*7,0 / 8,0 *18,5*7	1
6	3082-06	Lever Pin	1
7	3082-07	Lever	1
8	3082-08	Valve Assembly	1
9	3082-09	Valve Base Assembly	1
11	3018-17	Air Chuck	1
12	3018-16S	Stainless Steel Hose	1
13	3082-13	Air Inlet	1
11+12	3018HSS	Stainless Hose with Air Chuck	