



Model:

78830

Product Type:

HEAVY DUTY HUB DRUM AND ROTOR PULLER KIT



WARNING



Study, understand and follow all instructions provided with this product. Read these instructions carefully before installing, operating, servicing or repairing this tool. Keep these instructions in a safe accessible place.

INTENDED USE OF THE TOOL

The 78830 is designed to pull wheel hubs on most FWD, AWD and some independent suspension RWD vehicles, and pull drums on vehicles with drum brakes and rotors on vehicles with disc brakes. Do not use this tool outside of the designed intent. Never modify the tool for any other purpose or use.



WARNING



Caution: To help prevent personal injury

- Use of this product can expose you to chemicals including ethylene glycol, gasoline vapors and engine exhaust, which are known to the State of California to cause cancer, birth defects, or reproductive harm. For more information, visit www.P65Warnings.ca.gov. Always wear ANSI approved safety equipment, safety glasses and clothing when using this product. Study, understand, and follow all instructions provided with this product. Failure to read and follow all warnings and operating instructions may result in damages and serious injury or death.
- Always wear ANSI approved goggles when using this product. (Users and By standers).
- Never use this tool for any application other than for which it was designed.
- Only use accessories designed for this tool.
- Never alter or modify this tool in any way.
- Improper operation and/or maintenance of the tool, modification of the tool, or use of the tool with accessories not designed for it could result in serious injury or death.
- Always select the correct accessories of the correct size and design for the job that you are attempting to perform.
- Always work in a clean, safe, well-lit, organized and adequately equipped area.
- Do not begin repairs without assurance that vehicle is in secure position, and will not move during repair.

BEFORE USE

When unpacking, check the parts diagram and part number listing on page 4 to make sure all parts are included. If any parts are missing or damaged, please call your distributor.

DO NOT DISCARD – GIVE TO USER



Astro Pneumatic Tool Company

www.astrotools.com

1 YEAR LIMITED WARRANTY

- Astro Pneumatic Tool Co. warrants our products to the original user against defective material or workmanship for a period of 1 year (except where noted on our price schedule) from the date of 1st use. Astro reserves the right to determine whether the product failed because of defective material, workmanship or other causes and to charge back for missing parts. Astro Pneumatic Tool Co., at its discretion, will repair products covered under this warranty free of charge. The distributor should direct the original user to return the product (with the exceptions listed below) with the distributor's name, address, adequate proof of date of purchase or a copy of warranty card, and a short note explaining the problem. **Failures caused by accident, alteration, or misuse are not covered by this warranty.**
- If one part of this product fails, please do not return the entire product. Astro will replace free of charge component parts of this product that fail within 1 year of first use by the original user. Items included in this category include but are not limited to kits, hand tool kits and any other product where there are multiple items or components that make up the unit. Please contact the phone number below in order to obtain the replacement components covered under warranty.
- Astro Pneumatic Tool Co. or its authorized service representatives must perform all warranty repairs. Any repair to the product by unauthorized service representatives voids this warranty. The rights under this warranty are limited to the original user and may not be transferred to subsequent owners.
- This warranty is in lieu of all other warranties, expressed or implied, including warranties of merchantability and fitness for a particular purpose. Some states do not allow the exclusion of limitations of incidental or consequential damages so the above limitations may not apply to you.



PLEASE DO NOT RETURN ANY PRODUCT WITHOUT CALLING 1-800-221-9705 FOR INSTRUCTIONS



PRODUCT INFORMATION

- Use with impact wrench to remove hubs, drums and brake rotors
- Durable forged design, made from the same alloy as Astro's famous ball joint press
- Use with 1-1/4" socket and 1-1/4" or 32mm wrench
- Includes:
 - Long 7/8" thread 1-1/4" drive Grade 8 Drive Bolt
 - Forged T-Bar
 - Forged Hub Puller Arms
 - Forged Drum/Rotor Puller Arms
 - Long and short hex nuts
 - Small, Medium and Large Hub Adapters
 - Hardened Washers

GREASE DRIVE BOLT AND WASHERS BEFORE USE



Model:

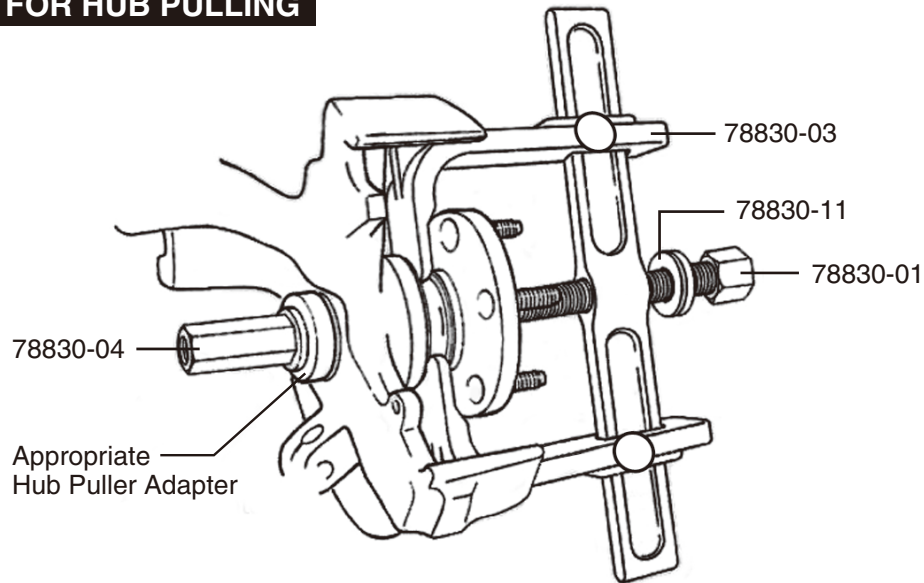
78830

Product Type:

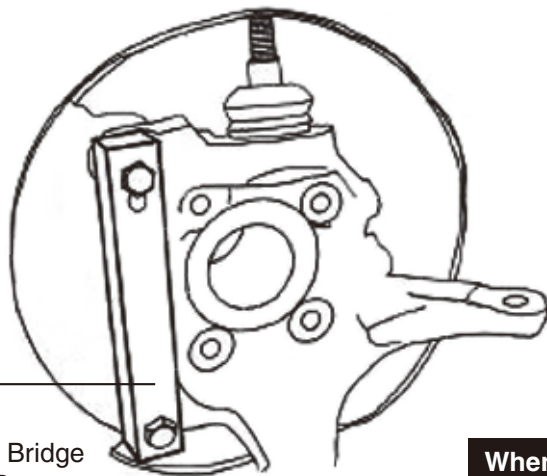
HEAVY DUTY HUB DRUM AND ROTOR PULLER KIT

OPERATION FOR HUB REMOVAL

TOOL SET-UP FOR HUB PULLING

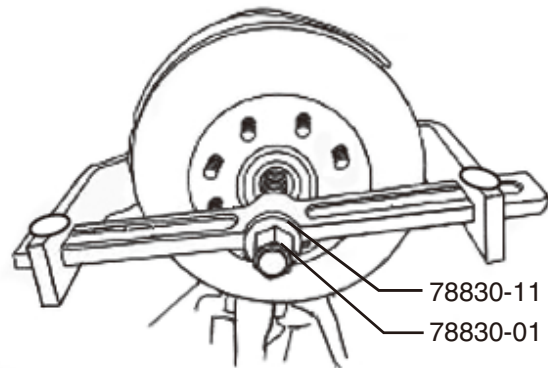


Brace Bar Installation



Caliper Bridge Brace Bar

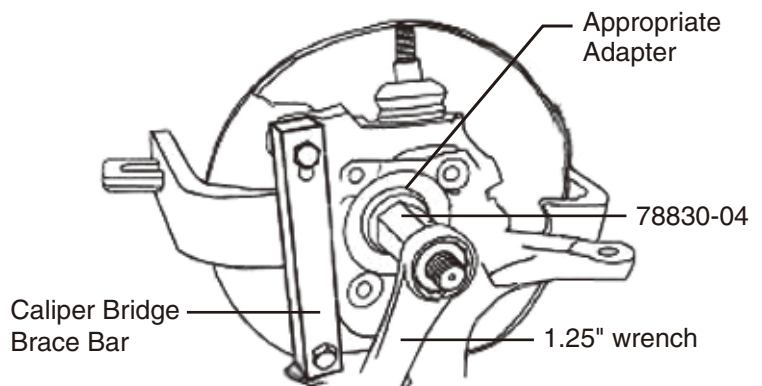
Front Hub Removal Front View



When A Caliper Bridge Brace Bar (Avail. Sep.) Is Necessary

Notes: In rare cases (e.g. some Honda) where there is not adequate solid and flat area surrounding the hub to brace the hub puller arms against, the **78830CBA** Caliper Bridge Brace Bar Assembly (available separately) is an option on these applications.

Use the 78830CB to span the caliper brackets (5.0" and 5.5" hole distance) creating a flat surface to brace against when pulling the hub.



Front Hub Removal Rear View



Model:

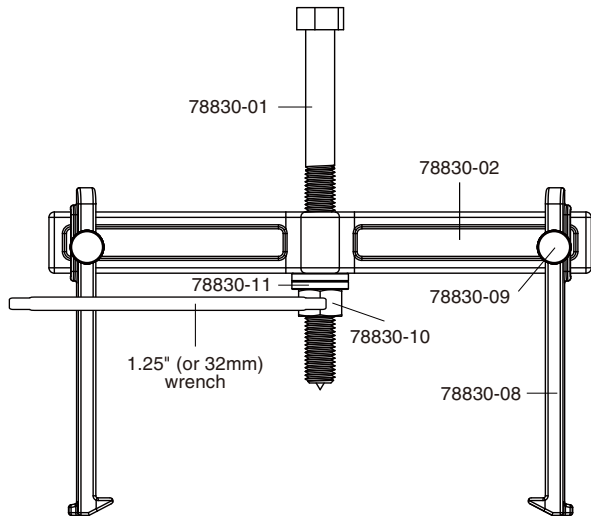
78830

Product Type:

HEAVY DUTY HUB DRUM AND ROTOR PULLER KIT

OPERATION FOR DRUM AND ROTOR REMOVAL

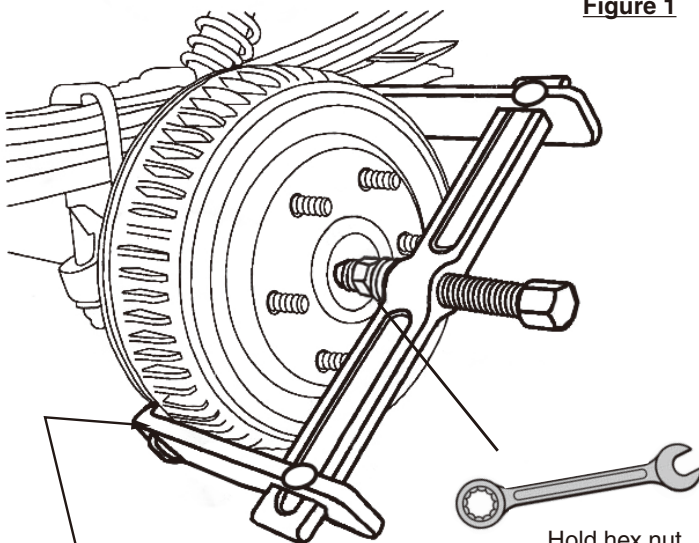
TOOL SET-UP FOR DRUM/ROTOR PULLING



1. Refer to the vehicle service manual for instructions on using an appropriate lifting device to hoist the vehicle off the ground. Lift the vehicle just far enough to remove the wheel and tire.
2. After removing the wheel, completely thread two lug nuts back onto two opposing wheel studs. Back off the lug nuts three or four turns to allow the drum to be pulled away from, but not fall off, the wheel hub. See Figure 1.
3. Set the Drum/Rotor Puller Arms an equal distance apart from the center on each side of the brake drum or rotor.
4. **Grease the two washers and short hex nut.** On the inside of the T-Bar, slide on the two washers then thread the short hex nut up the drive bolt. See Figure 1.
5. With the forcing screw at the center of the wheel hub and aligning the male notch in the drive bolt with the female notch in the axle, position the puller jaws in the groove between the brake drum and the backing plate, or securely on the back side of the rotor for disc brakes. Adjust the jaws on the crossbar as needed to fit. Lightly secure the Set Knobs so that the arms do not move unintentionally during use.
6. Verify the jaws have good contact with the drum or rotor, and hand-tighten the forcing screw to the wheel hub/axle.
7. For stubborn applications or where the pulling jaws do not engage your drum or rotor securely enough, you may use your own ratchet strap to provide extra clamping. Position your strap around the arms on the outer edge near or just before the retaining lip of the arms. Tighten the ratchet strap securely. See Figure 2.
8. Using a 1.25" or 32mm wrench, retain and brace the short hex nut to prevent its movement. With a 1.25" socket, impact the drive bolt. With the short hex nut retained, this should push the drive bolt against the hub/axle and pull the arms and drum or rotor.
9. Remove your strap (if used) and the puller from the brake drum/rotor. Remove the lug nuts and remove the brake drum/rotor.

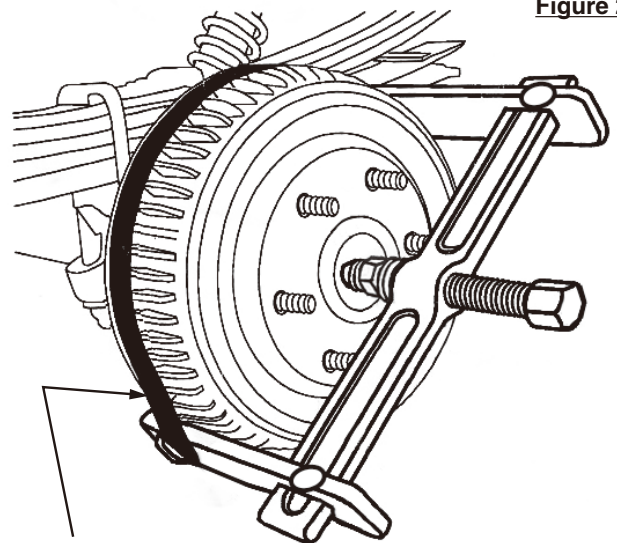
Figure 1

Figure 2



Verify the puller jaw has good contact with the brake drum.

Hold hex nut with 1.25" or 32mm wrench while impacting the drive bolt to engage pulling



For extra bracing when pulling, the Drum/Rotor Puller Arms are designed with a lip to work with and retain your own ratchet strap. Use when necessary.



Model:

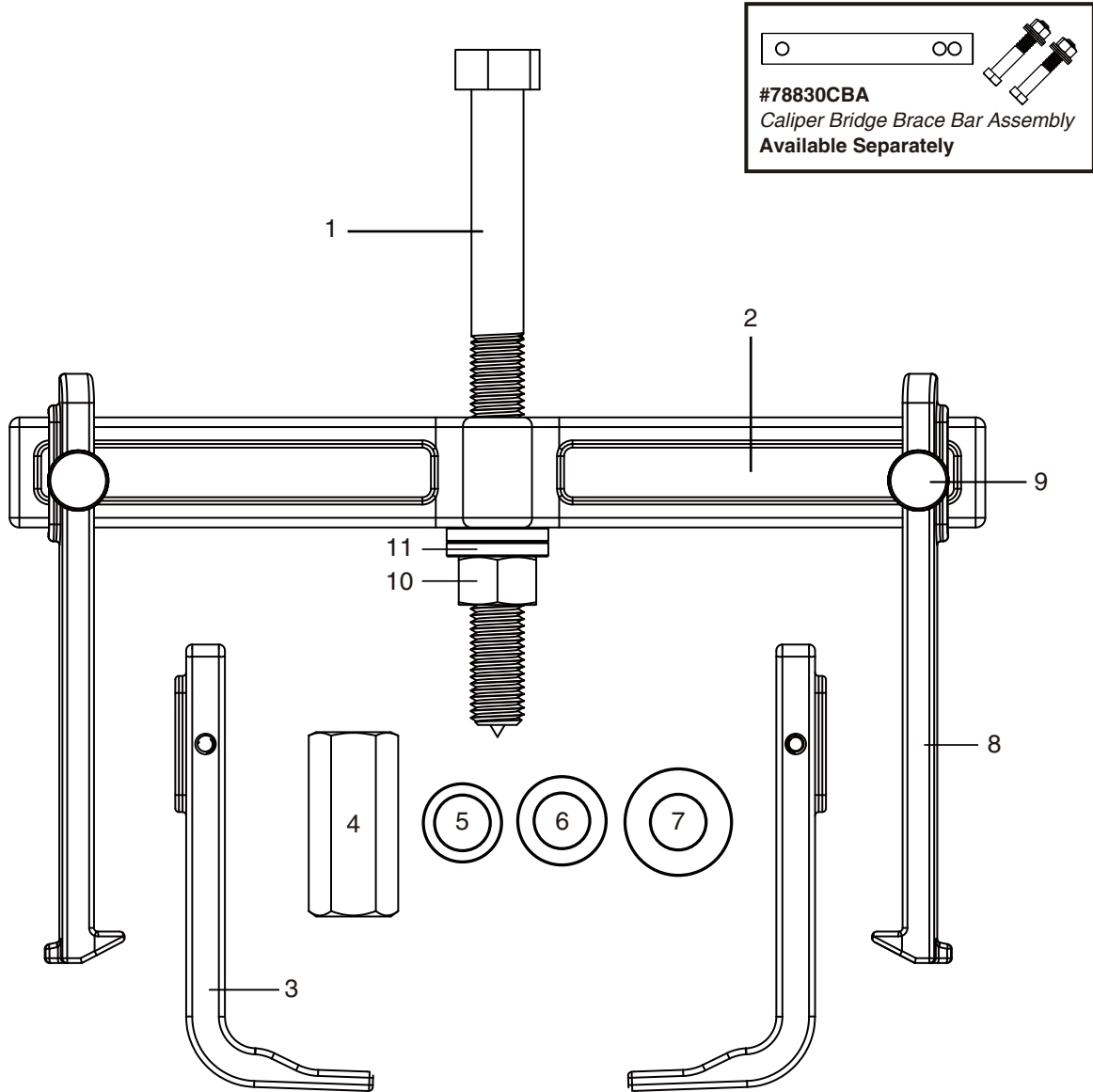
78830

Product Type:

HEAVY DUTY HUB DRUM AND ROTOR PULLER KIT

PARTS BREAKDOWN

Call 1.800.221.9705 for questions concerning performance of the product or other inquiries.



#78830CBA
Caliper Bridge Brace Bar Assembly
Available Separately

Parts List

Index	Part No.	Description	Qty
1	78830-01	Long Grade 8 Drive Bolt	1
2	78830-02	Forged T-Bar	1
3	78830-03	Forged Hub Pulling Arm	2
4	78830-04	1.25" Hex Nut - Long	1
5	78830-05	Small Hub Adapter	1
6	78830-06	Medium Hub Adapter	1

Index	Part No.	Description	Qty
7	78830-07	Large Hub Adapter	1
8	78830-08	Forged Drum/ Rotor Pulling Arm	2
9	78830-09	Set Knob	2
10	78830-10	1.25" Hex Nut - Short	1
11	78830-11	Hardened Washer	2