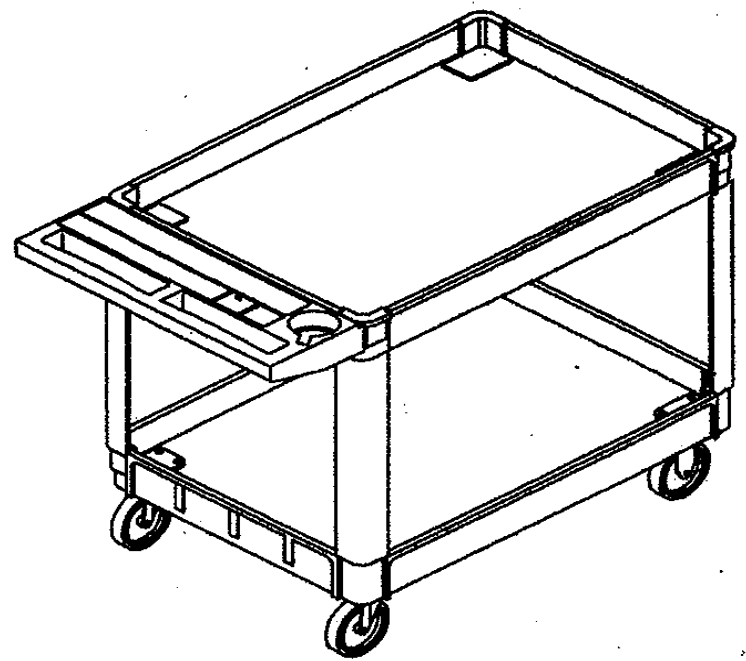
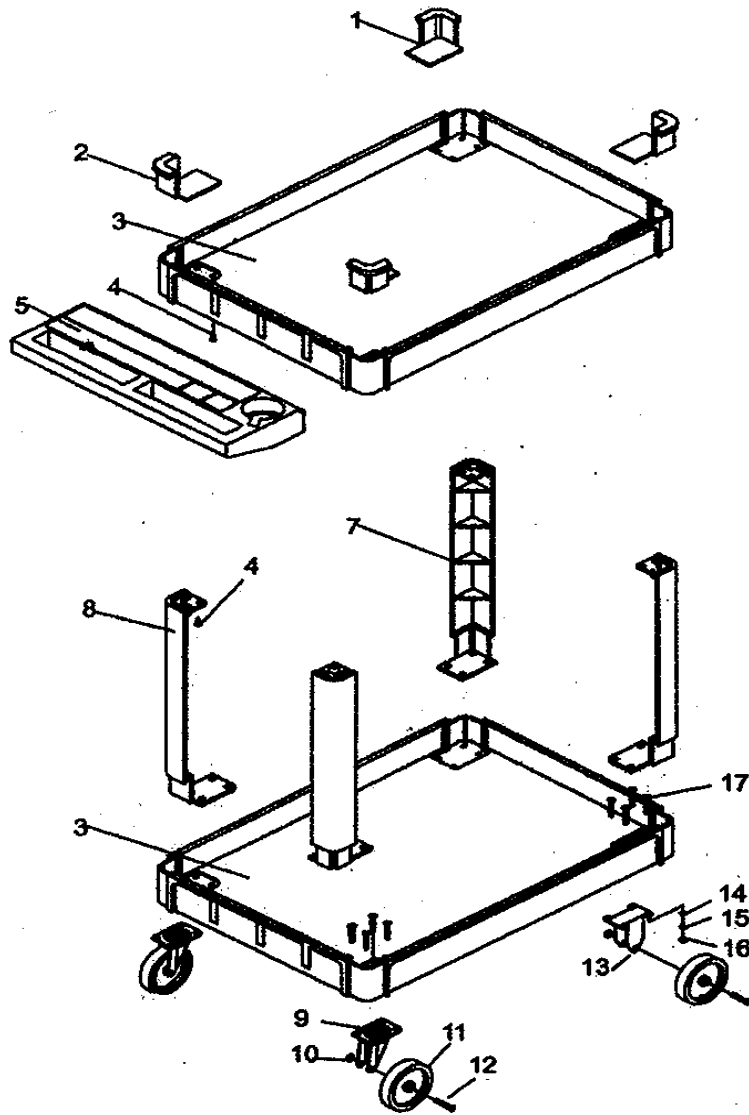




MODEL 961 POLYPROPYLENE CART

MODEL 961 POLYPROPYLENE CART				
PART		KIT INCLUDES		
ORDER NUMBER	KIT DESCRIPTION	REF. #	DESCRIPTION	QTY
9611	COVER	1	COVER	2.00
9612	COVER	2	COVER	2.00
9615	HANDLE TRAY	5	HANDLE TRAY	1.00
9619	COMPLETE CASTER ASSEMBLY	9	COMPLETE CASTER ASSEMBLY	2.00
96113	COMPLETE STRAIGHT WHEEL ASSEMBLY	13	COMPLETE STRAIGHT WHEEL ASSEMBLY	2.00
961HWK	COMPLETE HARDWARE KIT		COMPLETE HARDWARE KIT	1.00

*ONLY PARTS WITH PART ORDER NUMBER ARE AVAILABLE FOR SALE
 DO NOT COPY OR DISTRIBUTE THIS MATERIAL WITH OUT PERMISSION OF AFF, INC.



NO	DESCRIPTION	QUANTITY
1	COVER	2
2	COVER	2
3	TABLE-BOARD	2
4	SCREW	8
5	HANDLE	1
7	LEG	2
8	LEG	2
9	FRAME OF UNIVERSAL WHEEL	2
10	NUT	4
11	WHEEL	4
12	SCREW	4
13	FRAME OF WHEEL	2
14	WASHER	16
15	WASHER	16
16	WHEEL	16
17	SCREW	16

*ONLY PARTS WITH PART ORDER NUMBER ARE AVAILABLE FOR SALE
 DO NOT COPY OR DISTRIBUTE THIS MATERIAL WITH OUT PERMISSION OF AFF, INC.