

PRODUCT
CATALOG



autorefinishdevilbiss.com

DEVILBISS[®]
AUTOMOTIVE REFINISHING






Table of Contents

Quick Reference Chart	3
SPRAY GUNS AND ACCESSORIES	4-31
DV1	4-9
ProLite	10-15
GPG	16-17
FLG.....	18-19
StartingLine	20
Gravity and Pressure Feed Cups.....	21-25
Pressure Tanks	26-27
DISPOSABLE CUPS AND ACCESSORIES.....	28-33
Snap-N-Flow.....	28-29
AIRBRUSHES AND ACCESSORIES.....	34
AIR CONTROL	35-48
Air Filtration	35-42
Air Filtration Service Parts	43
Properly Piped Shop	44
Hose and Fittings	45-47
Air Regulators & Adjusting Valves.....	48
SAFETY	49-50
Respirators	49
Breathable Air Filtration	50
CLEAN SOLUTIONS.....	51-53
MAINTENANCE AND ACCESSORIES.....	54-58
Troubleshooting.....	59



Quick Reference Chart

DeVilbiss® Streamline Gun Choices Around Task Specific Requirements

		Finish Quality	Transfer Efficiency	Speed of Application	Durability	Gravity Feed Full Size	Spot Repair	Pressure Feed
Elite	DV1 	☐☐☐	☐☐☐	☐☐☐	☐☐☐	●	●	
Premium	PROLite/ PROLite-S 	☐☐☐	☐☐☐	☐☐☐	☐☐☐	●	●	●
Preferred	GPG 	☐☐☐	☐☐☐	☐☐☐	☐☐☐	●		
Entry-Level	FLG 	☐☐☐	☐☐☐	☐☐☐	☐☐☐	●		●
Economy	SLG 	☐☐☐	☐☐☐	☐☐☐	☐☐☐	●	●	

New Product Information			Previous Product Information	
Platform	Part Number	New Description	Part Number	Description
GPG	905012	GPG GRAVITY (GPG2, 1.3, 1.5, 1.8, CUPPED)	FLG-670	FINISHLINE SOLVENT BASED VALUE KIT (HVLP 1.3, 1.5, & 1.8)
GPG	905013	GPG GRAVITY (GPG2, 1.3, 1.5, 1.8, CUPPED)	FLG-671	FINISHLINE WATERBORNE VALUE KIT (HVLP 1.3, 1.5, & 1.8)
GPG	905014	GPG GRAVITY (GPG2, 1.8, 2.2, CUPPED)	FLG-678	FINISHLINE PRIMER GUN VALUE KIT (HVLP 1.8 & 2.2)
GPG	905015	GPG GRAVITY (7E7, 1.2, 1.3, 1.4, CUPPED)	GFG-670	PLUS GRAVITY GUN & CUP
GPG	905016	GPG GRAVITY (GPG2, 1.3, 1.4, 1.5, CUPPED)	GTI-620G	GTI HVLP GRAVITY GUN KIT (1.3, 1.4, 1.5, #2000)
GPG	905019	GPG GRAVITY (7E7, 1.3, 1.4, UNCUPPED)	703661	TEKNA® COPPER HE UNCUPPED (1.3, 1.4, 7E7)
GPG	905020	GPG GRAVITY (7E7, 1.3, 1.4, CUPPED)	703662	TEKNA® COPPER HE GUN/CUP (1.3, 1.4, 7E7)
GPG	905021	GPG GRAVITY (7E7, 1.2, 1.3, UNCUPPED)	703675	TEKNA® COPPER HE UNCUPPED (1.2, 1.3, 7E7)
GPG	905022	GPG GRAVITY (7E7, 1.2, 1.3, CUPPED)	703676	TEKNA® COPPER HE GUN/CUP (1.2, 1.3, 7E7)
GPG	905026	GPG GRAVITY (PR10, PR30, 1.4, 1.6, CUPPED)	704174	TEKNA® PRIMER GUN/CUP (1.4, 1.6, PR10, PR30)
GPG	905027	GPG GRAVITY (PR10, PR30, 1.8, 2.0, CUPPED)	704175	TEKNA® PRIMER GUN/CUP (1.8, 2.0, PR10, PR30)
GPG	905028	GPG GRAVITY (PR10, PR30, 2.5, CUPPED)	704182	TEKNA® PRIMER GUN/CUP (2.5, PR10, PR30)
PROLite	905038	PROLITE GRAVITY (HV30, 1.2, 1.3, UNCUPPED)	703892	TEKNA® BASECOAT UNCUPPED (1.2, 1.3)
PROLite	905039	PROLITE GRAVITY (HV30, 1.3, 1.4, UNCUPPED)	703893	TEKNA® BASECOAT UNCUPPED (1.3, 1.4)
PROLite	905040	PROLITE GRAVITY (HV30, 1.2, 1.3, CUPPED)	703894	TEKNA® BASECOAT W/CUP (1.2, 1.3)
PROLite	905041	PROLITE GRAVITY (HV30, 1.3, 1.4, CUPPED)	703895	TEKNA® BASECOAT W/CUP (1.3, 1.4)
PROLite	905042	PROLITE GRAVITY (HV30, TE20, 1.3, 1.4, 1.5, UNCUPPED)	703517	TEKNA® PROLITE UNCUPPED GUN 1.3, 1.4 & 1.5, TE20 & HV30
PROLite	905042	PROLITE GRAVITY (HV30, TE20, 1.3, 1.4, 1.5, UNCUPPED)	703582	TEKNA® PRO UNCUPPED (1.3, 1.4, 1.5, TE20, HV30)
PROLite	905043	PROLITE GRAVITY (TE10, TE20, 1.2, 1.3, 1.4, CUPPED)	703566	TEKNA® PROLITE GUN/CUP 1.2, 1.3, & 1.4, TE10 & TE20
PROLite	905044	PROLITE GRAVITY (TE10, TE20, 1.2, 1.3, 1.4, UNCUPPED)	703567	TEKNA® PROLITE UNCUPPED GUN 1.2, 1.3, & 1.4, TE10 & TE20
PROLite	905044	PROLITE GRAVITY (TE10, TE20, 1.2, 1.3, 1.4, UNCUPPED)	703581	TEKNA® PRO UNCUPPED (1.2, 1.3, 1.4, TE10, TE20)
PROLite	905045	PROLITE GRAVITY (HV30, TE25, 1.3, 1.4, 1.5, UNCUPPED)	704198	TEKNA® CLEARCOAT UNCUPPED (1.2, 1.3, 1.4; TE25, HV30)
PROLite-S	905081	PROLITE-S GRAVITY (HV5, MC1, 0.6, CUPPED)	804262	SRIPRO LITE MICRO GUN (MC1 & HV5)
PROLite-S	905082	PROLITE-S GRAVITY (HV5, TE5, 1.0, CUPPED)	SPIRPO-635G-10	SRIPRO SPOT REPAIR GUN (HS1 & TS1 - 1.0)
PROLite	905125	PROLITE PRESSURE (C797, 1.4, UNCUPPED)	JGA-504-777-14	JGA PRESSURE GUN
PROLite	905128	PROLITE PRESSURE (TE40, 1.2)	PLUS-514P-12	PLUS PRESSURE GUN (#414, 1.2)
PROLite	905131	PROLITE PRESSURE (HV40, TE40, 1.0, 1.4)	GTI-546P-14	PRESSURE GUN ASSEMBLY
PROLite	905131	PROLITE PRESSURE (HV40, TE40, 1.0, 1.4)	703624	TEKNA® PROLITE PRESSURE FEED GUN (TE40, HV40, 1.0,1.4)
PROLite	905132	PROLITE PRESSURE (HV40, TE40, 1.0, 1.2, 1.4)	703663	TEKNA® PROLITE PRESSURE FEED GUN (TE40, HV40, 1.0, 1.2, 1.4)
PROLite	905122	PROLITE SUCTION (C30, 1.6, UNCUPPED)	JGA-644	JGA SUCTION GUN KIT (#9000-1.6)
PROLite	905123	PROLITE SUCTION (C30, 1.8, UNCUPPED)	JGA-636	JGA SUCTION GUN KIT (#80-1.8)
PROLite	905135	PROLITE SUCTION (GPG2, 2.0, 2.2, CUPPED)	GTI-620S	GTI HVLP SUCTION GUN KIT (#2000, 2.0, 2.2)
PROLite	905139	PROLITE SUCTION (TE10, 1.6, 1.8, CUPPED)	JGA-670	PLUS SUCTION GUN KIT (#410-1.6,1.8)
PROLite	905139	PROLITE SUCTION (TE10, 1.6, 1.8, CUPPED)	804502	PLUS SUCTION GUN (#410-1.8, 1.6) UNCUPPED

DV1 Basecoat Spray Gun



Includes:

- DV1-B PLUS (HVLP) air cap
- Multiple fluid tips
- Integrated premium digital gauge
- Tool Kit: Valve Tool, Torx Driver and Tip Wrench
- DPC-43 DeKups Adapter

Order No.	Fluid Tips	Guns	Air Cap
704504	1.2, 1.3 & 1.4mm	Digital DGI PRO Air Gauge, DPC Adapter	DV1-B+ HVLP PLUS
704528	1.4mm	Digital DGI PRO Air Gauge, DPC Adapter	DV1-1+A HVLP



Waterborne compatible when using a plastic or disposable cup system.

Gauge

62	704427	FM Approved (USA, Canada)	Digital Pressure Gauge (psi)
----	--------	---------------------------	------------------------------

Service Kits

704430	Minor Service Kit	Includes Items Marked #
704431	Major Service Kit	Includes Items Marked +

TABLE 1: Performance Guide

Part #	Air Cap & Type		Recommended Air Pressure At Digital Gauge	Air Consumption	Typical Fan Pattern Size
704408	DV1-B+ HVLP	HVLP	1.5 bar (22 psi)	300L/min (10.5 scfm)	325 mm (12.8 in)
704407	DV1-B HVLP	HVLP	1.0 bar (15 psi)	400L/min (14.1 scfm)	330 mm (13 in)
704445	DV1-1+A HVLP	HVLP	1.5 bar (22 psi)	315L/min (11.1 scfm)	310 mm (12.2 in)

TABLE 2: Tips

Part #	Fluid Tip Size	Marking
704409	0.9mm	DV1-0.9 B
704410	1.0mm	DV1-1.0 B
704411	1.1mm	DV1-1.1 B
704412	1.2mm	DV1-1.2 B
704413	1.3mm	DV1-1.3 B
704414	1.4mm	DV1-1.4 B
704415	1.5mm	DV1-1.5 B

Needles

Part #	Marking
704416	DV1-300

DV1 Guns & DV1s Gun - 3 Gun Bundle

Part Number 704703 3-Gun Bundle Includes:

Gun	Air Caps
DV1 Base Coat Gun (P/N 704504)	1.2, 1.3, 1.4 HVLP B+ Air Cap
DV1 Clear Coat Gun (P/N 704521)	1.2, 1.3, 1.4 C1+ & C2+ Air Caps
DV1s Spot Repair Gun (P/N 704532)	1.0, 1.2 S1+ HVLP Air Cap

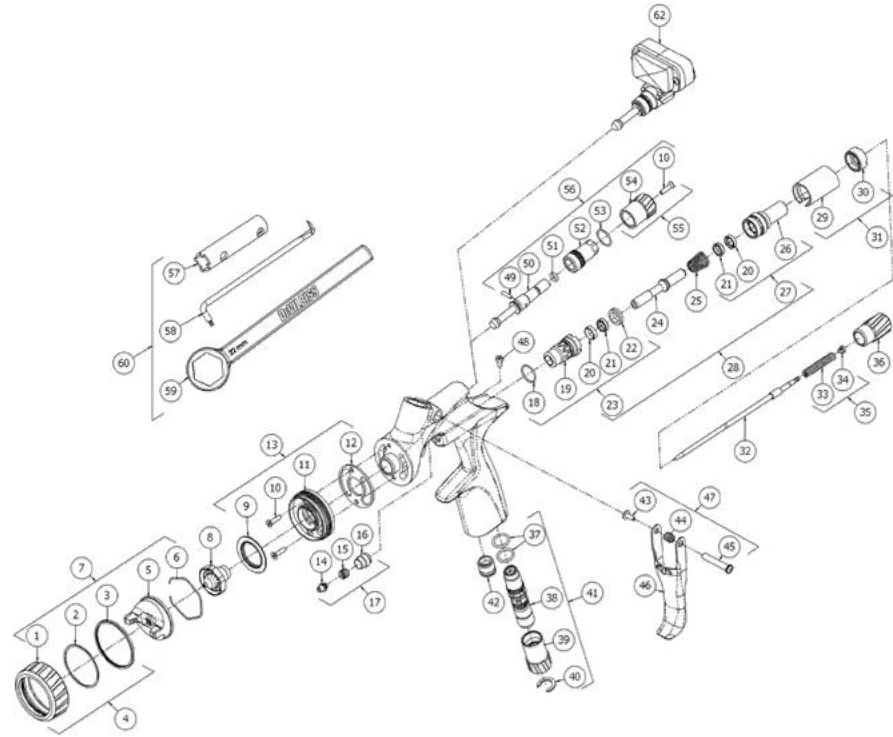
Part Number 704702 3-Gun Bundle Includes:

Gun	Air Caps
DV1 Base Coat Gun (P/N 704504)	1.2, 1.3, 1.4 HVLP B+ Air Cap
DV1 Clear Coat Gun (P/N 704521)	1.2, 1.3, 1.4 C1+ & C2+ Air Caps
GPG Primer Gun (cupped) (P/N 905026)	1.4, 1.6 PR10 and PR30 Air Cap

DV1 Basecoat Spray Gun

Features:

- Sprays consistent and homogeneous spray patterns
- Atomizes effortlessly with a selection of finely tuned air cap and fluid nozzle setups
- Provides maximum comfort and easy use from set-up through the entire spraying process
- Provides maximum comfort and ease of use with right the first time results
- Improved transfer efficiency saving time, money, and repair costs per job



Ref #	Part #	Description	Qty
1	-	Retaining Ring	1
2	-	Slip Ring	1
3	-	Retaining Ring Seal	1
4	704425	Retaining Ring Sub Assembly	1
5	-	Air Cap	1
6	191972	Spring Clip (Kit of 10)	1
7	See Table 1	Air Cap & Retaining Ring	1
8	See Table 2	Fluid Tip	1
9	704402	Deflector Plate	1
10+	704403	Screw (Kit of 3)	3
11	-	Sprayhead	1
12+	704401	Gasket (Kit of 2)	1
13	704400	Spray Head Kit	1
14	-	Needle Packing	1
15	-	Packing Spring	1
16	-	Packing Nut	1
17+	702731	Packing, Spring & Packing Nut Kit	1
18	-	O Ring	1
19	-	Air Valve Cage	1
20	-	Seal	2
21	-	Seal Guide	2
22	-	Valve Seat	1

Ref #	Part #	Description	Qty
23#	704422	Front Cage Assembly	1
24	-	Air Valve Stem	1
25#	-	Air Valve Spring	1
26	-	Rear Seal Housing	1
27	704423	Rear Seal Assembly	1
28+	704424	Air Valve Assembly	1
29	-	Identification Sleeve	1
30	-	Sleeve Nut	1
31	704437	Sleeve Kit	1
32	See Table 2	Fluid Needle	1
33	-	Needle Spring	1
34	-	Spring Pad	1
35#+	704405	Needle Spring Kit	1
36	704404	Fluid Adjusting Knob	1
37	-	O Ring	2
38	-	Flow Valve Body	1
39	-	Flow Valve Knob	1
40	-	Circlip	1
41	704417	Inline Flow Valve	1
42	-	Plug	1
43	-	Trigger Screw	1

Ref #	Part #	Description	Qty
44	-	Spring	1
45	-	Trigger Stud	1
46	-	Trigger	1
47	704406	Trigger, Stud, Spring & Screw Kit	1
48	-	Screw	1
49#+	-	Spreader Valve Pin	1
50	-	Spreader Valve Stem	1
51#+	-	O Ring	1
52	-	Valve Body	1
53#+	-	O Ring	1
54	-	Spreader Valve Adjusting Knob	1
55	704419	Spreader Knob KIT (Not For Use With Digital Gauge)	1
56	704418	Spreader Valve Assembly (Not For Use With Digital Gauge)	1
57	-	Valve Tool	1
58	-	Torx Driver	1
59	-	Tip Wrench	1
60	704429	Tool Kit	1
61*	GFC-501	Gravity Cup Plastic (Shown)	1
	702576	Gravity Cup Aluminum	1

DV1 Clearcoat Spray Gun



Includes:

- DV1-C1 PLUS (HVLP) & DV1-C2 PLUS (HVLP) air caps
- Multiple fluid tips
- Integrated premium digital gauge
- Tool Kit: Valve Tool, Torx Driver and Tip Wrench
- DPC-43 DeKups Adapter

Order No.	Fluid Tips	Accessories	Air Cap
704521	1.2, 1.3 & 1.4mm	Digital DGI PRO Air Gauge, DPC Adapter	DVI-C1+ HVLP PLUS, DV1-C2+ HVLP PLUS



Waterborne compatible when using a plastic or disposable cup system.

Spray Gun Kit

Order #	Description	Air Cap	Gauged	Needle	Cup Type
704521	DV1 Clearcoat Gun	DV1-C1 Plus, DV1-C2 Plus	No Gauge	1.3, 1.4, 1.5	Uncupped

Gauge

62	704427	FM Approved (USA, Canada)	Digital Pressure Gauge
----	--------	---------------------------	------------------------

Service Kits

704430	Minor Service Kit	Includes Items Marked #
704431	Major Service Kit	Includes Items Marked +

TABLE 1: Performance Guide

Part #	Air Cap & Type	Recommended Air Pressure At Digital Gauge	Air Consumption	Typical Fan Pattern Size
704434	DV1-C1 HVLP	1.5 bar (22 psi)	285L/min (10.0 scfm)	325 mm (12.8 in)
704435	DV1-C2+ HVLP PLUS	1.5 bar (22 psi)	320L/min (11.3 scfm)	310 mm (12.2 in)

TABLE 2: Tips

Part #	Fluid Tip Size	Marking
704440	1.0mm	DV1-1.0 C
704441	1.1mm	DV1-1.1 C
704442	1.2mm	DV1-1.2 C
704443	1.3mm	DV1-1.3 C
704444	1.4mm	DV1-1.4 C
704448	1.5mm	DV1-1.5 C

Needles

Part #	Marking
704416	DV1-300

DV1 Guns & DV1s Gun - 3 Gun Bundle

Part Number 704703 3-Gun Bundle Includes:

Gun	Air Caps
DV1 Base Coat Gun (P/N 704504)	1.2, 1.3, 1.4 HVLP B+ Air Cap
DV1 Clear Coat Gun (P/N 704521)	1.2, 1.3, 1.4 C1+ & C2+ Air Caps
DV1s Spot Repair Gun (P/N 704532)	1.0, 1.2 S1+ HVLP Air Cap

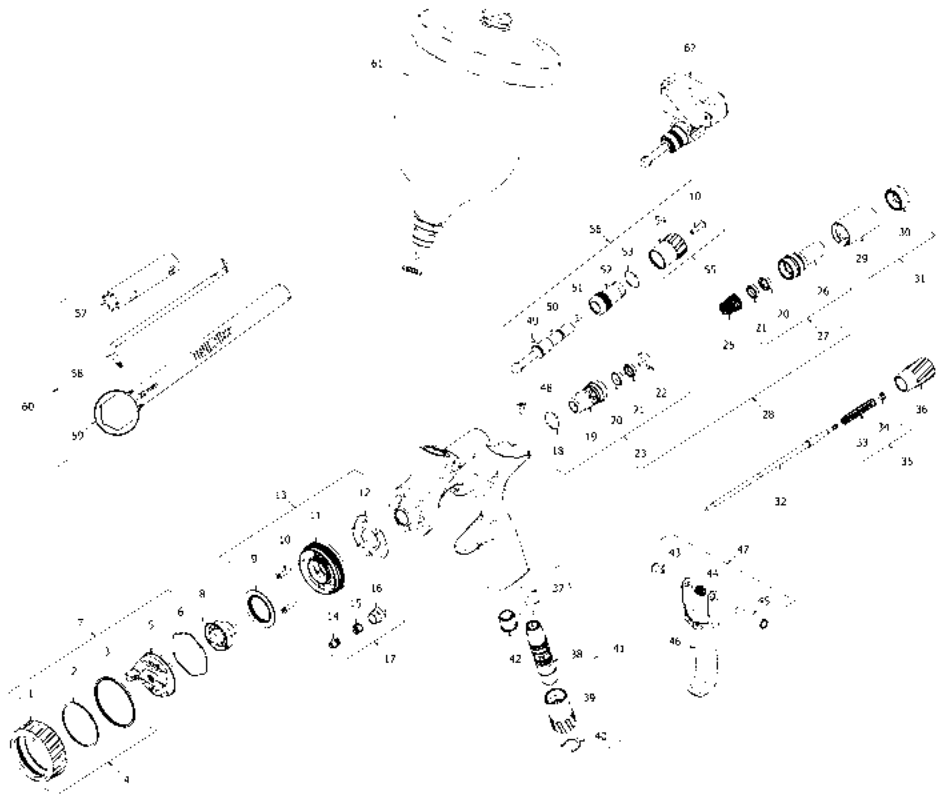
Part Number 704702 3-Gun Bundle Includes:

Gun	Air Caps
DV1 Base Coat Gun (P/N 704504)	1.2, 1.3, 1.4 HVLP B+ Air Cap
DV1 Clear Coat Gun (P/N 704521)	1.2, 1.3, 1.4 C1+ & C2+ Air Caps
GPG Primer Gun (cupped) (P/N 905026)	1.4, 1.6 PR10 and PR30 Air Cap

DV1 Clearcoat Spray Gun

Features:

- Delivers ultimate clearcoat application performance
- Sprays a uniform pattern that lays the clear flat and easily wets up a surface
- Atomizes effortlessly, producing an even distribution of super-fine particles
- Provides maximum comfort and easy use from set-up through the entire spraying process
- Provides improved transfer efficiency and saves time completing each job



Ref #	Part #	Description	Qty
1	-	Retaining Ring	1
2	-	Slip Ring	1
3	-	Retaining Ring Seal	1
4	704425	Retaining Ring Sub Assembly	1
5	-	Air Cap	1
6	191972	Spring Clip (Kit of 10)	1
7	See Table 1	Air Cap & Retaining Ring	1
8	See Table 2	Fluid Tip	1
9	704402	Deflector Plate	1
10+	704403	Screw (Kit of 3)	3
11	-	Sprayhead	1
12+	704401	Gasket (Kit of 2)	1
13	704436	Spray Head Kit	1
14	-	Needle Packing	1
15	-	Packing Spring	1
16	-	Packing Nut	1
17+	702731	Packing, Spring & Packing Nut Kit	1
18	-	O Ring	1
19	-	Air Valve Cage	1
20	-	Seal	2
21	-	Seal Guide	2
22	-	Valve Seat	1

Ref #	Part #	Description	Qty
23#	704422	Front Cage Assembly	1
24	-	Air Valve Stem	1
25#	-	Air Valve Spring	1
26	-	Rear Seal Housing	1
27	704423	Rear Seal Assembly	1
28+	704424	Air Valve Assembly	1
29	-	Identification Sleeve	1
30	-	Sleeve Nut	1
31	704437	Sleeve Kit	1
32	See Table 2	Fluid Needle	1
33	-	Needle Spring	1
34	-	Spring Pad	1
35#+	704405	Needle Spring Kit	1
36	704404	Fluid Adjusting Knob	1
37	-	O Ring	2
38	-	Flow Valve Body	1
39	-	Flow Valve Knob	1
40	-	Circlip	1
41	704417	Inline Flow Valve	1
42	-	Plug	1
43	-	Trigger Screw	1

Ref #	Part #	Description	Qty
44	-	Spring	1
45	-	Trigger Stud	1
46	-	Trigger	1
47	704406	Trigger, Stud, Spring & Screw Kit	1
48	-	Screw	1
49#+	-	Spreader Valve Pin	1
50	-	Spreader Valve Stem	1
51#+	-	O Ring	1
52	-	Valve Body	1
53#+	-	O Ring	1
54	-	Spreader Valve Adjusting Knob	1
55	704419	Spreader Knob KIT (Not For Use With Digital Gauge)	1
56	704418	Spreader Valve Assembly (Not For Use With Digital Gauge)	1
57	-	Valve Tool	1
58	-	Torx Driver	1
59	-	Tip Wrench	1
60	704429	Tool Kit	1
61*	GFC-501	Gravity Cup Plastic (Shown)	1
	702576	Gravity Cup Aluminum	1

DV1 Smart Repair Gun



Includes:

- DV1-M1, PLUS (HVLP), DV1-S1, PLUS (HVLP) DV1-S2 air cap
- Multiple fluid tips
- Tool Kit: Valve Tool, Torx Driver and Tip Wrench

Spray Gun Kit

Order #	Description	Air Cap	Tip(s)	Cup Type
704531	DV1s M1 HVLP Gravity Gun Kit	DV1-M1	0.7, 0.9	125mL, Acetyl Cup
704532	DV1s S1 HVLP Gravity Gun Kit	DV1-S1	1.0, 1.2	125mL, Acetyl Cup
704533	DV1s S2 HVLP Gravity Gun Kit	DV1-S2	1.0, 1.2	125mL, Acetyl Cup

Gravity Cups

905311	Gravity Cup Kit
905202	Drip Check Lid (Kit of 5)
905308	Gravity Cup Lid (Kit of 2)
905309	Filter (Kit of 3)
905312	Funnel (Kit of 12)

Service Kits

704475	DV1s Minor Service Kit	Includes Items Marked #
704476	DV1s Major Service Kit	Includes Items Marked +

TABLE 1: Performance Guide

Part #	Air Cap & Type		Recommended Air Pressure At Digital Gauge	Air Consumption	Fluid Flow	Typical Fan Pattern Size
704451	DV1-M1 Micro	HVLP	1.0 bar (15 psi)	50 L/min (1.8 scfm)	1-50 g/min	60mm (2.4 in)
704452	DV1-S1 Plus	HVLP	2.0 bar (29 psi)	115 L/min (4.1 scfm)	5-125 g/min	200mm (7.9 in)
704453	DV1-S2	HVLP	2.0 bar (29 psi)	130 L/min (4.6 scfm)	5-125 g/min	180mm (7.1 in)

TABLE 2: Tips

Part #	Fluid Tip Size	Marking
704454	0.7mm	DV1-0.7 M
704455	0.9mm	DV1-0.9M
704456	0.8mm	DV1-0.8M
704457	1.0mm	DV1-1.0S
704458	1.2mm	DV1-1.2S

Needles

Part #	Marking
704460	DV1-M
704459	DV1-S

DV1 Guns & DV1s Gun - 3 Gun Bundle

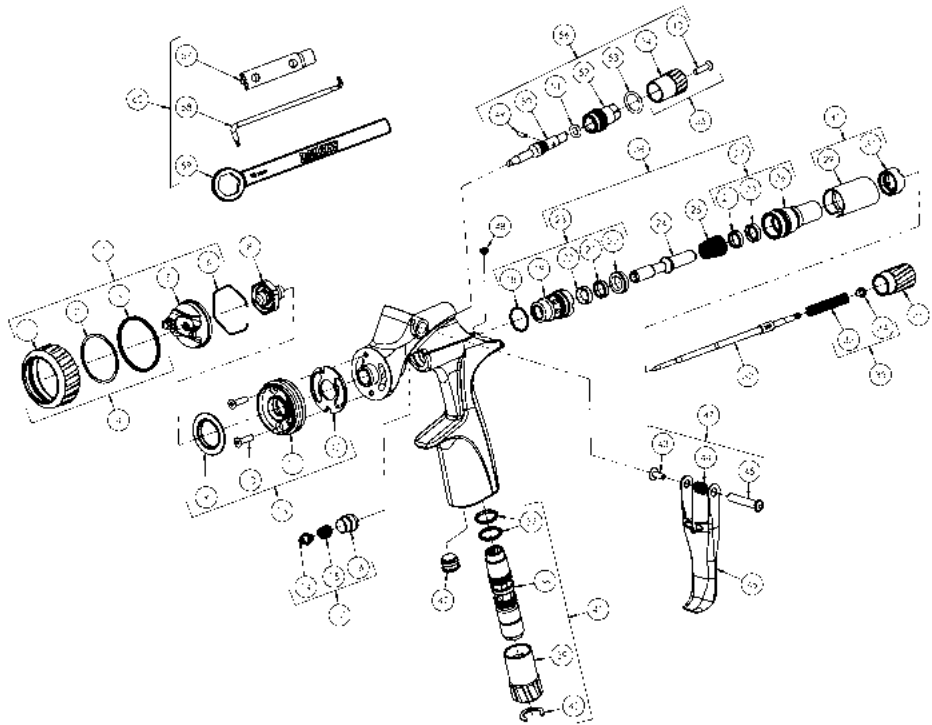
Part Number 704703 3-Gun Bundle Includes:

Gun	Air Caps
DV1 Base Coat Gun (P/N 704504) 1	.2, 1.3, 1.4 HVLP B+ Air Cap
DV1 Clear Coat Gun (P/N 704521) 1	.2, 1.3, 1.4 C1+ & C2+ Air Caps
DV1s Spot Repair Gun (P/N 704532)	1.0, 1.2 S1+ HVLP Air Cap

DV1 Smart Repair Gun

Features:

- Delivers ultimate SMART Repair application performance
- Sprays consistent and homogeneous spray patterns
- Atomizes effortlessly with a selection of finely tuned air cap and fluid nozzle setups
- Provides maximum comfort and easy use from set-up through the entire spraying process
- Provides maximum comfort and ease of use with right the first time results
- Improved transfer efficiency saving time, money, and repair costs per job



Ref #	Part #	Description	Qty
1	-	Retaining Ring	1
2	-	Slip Ring	1
3	-	Retaining Ring Seal	1
4	704472	Retaining Ring Sub Assembly	1
5	-	Air Cap	1
6	704480	Spring Clip (Kit of 10)	1
7	See Table 1	Air Cap & Retaining Ring	1
8	See Table 2	Fluid Tip	1
9	704464	Deflector Plate	1
10+	704403	Screw (Kit of 3)	3
11	-	Sprayhead	1
12+	704463	Gasket (Kit of 2)	1
13	704462	Spray Head Kit	1
14	-	Needle Packing	1
15	-	Packing Spring	1
16	-	Packing Nut	1
17+	905284	Packing, Spring & Packing Nut Kit	1
18	-	O Ring	1
19	-	Air Valve Cage	1
20	-	Seal	2
21	-	Seal Guide	2
22	-	Valve Seat	1

Ref #	Part #	Description	Qty
23#	704469	Front Cage Assembly	1
24	-	Air Valve Stem	1
25#	-	Air Valve Spring	1
26	-	Rear Seal Housing	1
27	704470	Rear Seal Assembly	1
28+	704471	Air Valve Assembly	1
29	-	Identification Sleeve	1
30	-	Sleeve Nut	1
31	704473	Sleeve Kit	1
32	See Table 2	Fluid Needle	1
33	-	Needle Spring	1
34	-	Spring Pad	1
35#+	704405	Needle Spring Kit	1
36	704465	Fluid Adjusting Knob	1
37	-	O Ring	2
38	-	Flow Valve Body	1
39	-	Flow Valve Knob	1
40	-	Circlip	1
41	704417	Inline Flow Valve	1
42	-	Plug	1
43	-	Trigger Screw	1

Ref #	Part #	Description	Qty
44	-	Spring	1
45	-	Trigger Stud	1
46	-	Trigger	1
47	704466	Trigger, Stud, Spring & Screw Kit	1
48	-	Screw	1
49#+	-	Spreader Valve Pin	1
50	-	Spreader Valve Stem	1
51#+	-	O Ring	1
52	-	Valve Body	1
53#+	-	O Ring	1
54	-	Spreader Valve Adjusting Knob	1
55	704468	Spreader Knob KIT (Not For Use With Digital Gauge)	1
56	704467	Spreader Valve Assembly (Not For Use With Digital Gauge)	1
57	-	Valve Tool	1
58	-	Torx Driver	1
59	-	Tip Wrench	1
60	704474	Tool Kit	1

ProLite

BASECOAT/CLEARCOAT GRAVITY FEED SPRAY GUNS



PROLite®

Specifications:

Weight (gun only)	445g
Gun Body	Anodized Aluminum
Air Cap	Plated Brass
Air Cap Retaining Ring & Knobs	Clear Anodized Aluminum
Fluid Nozzle	Stainless Steel
Fluid Needle	Stainless Steel
Air Inlet Thread	1/4" Universal
Service Bulletin	SB-E-2-996

Fluid Nozzles & Needles - Table 2

Fluid Nozzles & Needles			Needle	
Part Number	Fluid Nozzle Size	Marking	Part Number	Marking
905246	1.1mm	Pro-200-11	905266	PRO-301
905247	1.2mm	PRO-200-12		
905248	1.3mm	PRO-200-13		
905249	1.4mm	PRO-200-14		
905250	1.5mm	PRO-200-15		

Top Assembly Part Numbers

Part Number	Description	Air Cap	Nozzle Size	Material Cup	Gauge
905038	PROLite Gravity HVLP Gun Kit	HV30	1.2mm, 1.3mm	-	HAV-555
905039	PROLite Gravity HVLP Gun Kit	HV30	1.3mm, 1.4mm	-	HAV-555
905040	PROLite Gravity HVLP Gun Kit	HV30	1.2mm, 1.3mm	900ml, Aluminum	HAV-555
905041	PROLite Gravity HVLP Gun Kit	HV30	1.3mm, 1.4mm	900ml, Aluminum	HAV-555
905042	PROLite Gravity HVLP & High Efficiency Gun Kit	TE20 & HV30	1.3mm, 1.4mm, 1.5mm	-	HAV-555
905043	PROLite Gravity High Efficiency Gun Kit	TE10 & TE20	1.2mm, 1.3mm, 1.4mm	900ml, Aluminum	HAV-555
905044	PROLite Gravity High Efficiency Gun Kit	TE10 & TE20	1.2mm, 1.3mm, 1.4mm	-	HAV-555
905045	PROLite Gravity High Efficiency & HVLP Gun Kit	TE25 & HV30	1.2mm, 1.3mm, 1.4mm	-	HAV-555

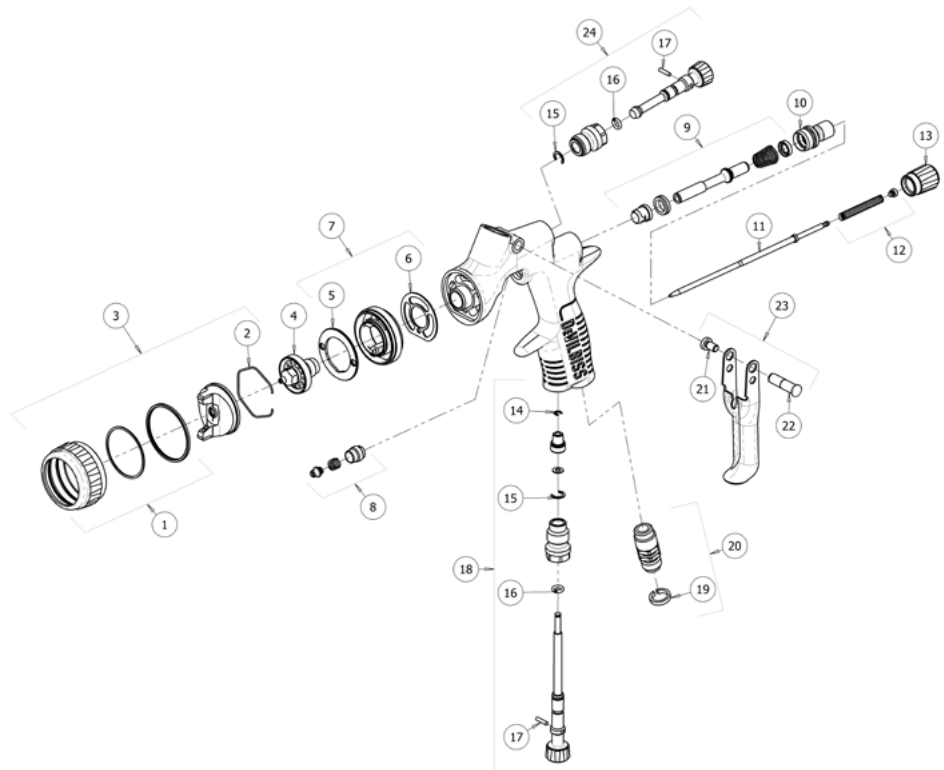
Air Cap Selections - Table 1

Air Cap	Atomization Type	Applications	Recommended Inlet Pressures		Max Air Consumption		Fan Pattern Size		Nozzle Sizes
			PSI	BAR	SCFM	SLPM	in	mm	
TE10	High Efficiency	Basecoats, Clearcoats	20-35	1.4-2.4	10.9	310	11.0-12.0	285-300	1.1mm-1.5mm
TE20	High Efficiency	Basecoats, Clearcoats	16-26	1.1-1.8	12.0	340	11.0-11.5	275-290	1.1mm-1.5mm
TE25	High Efficiency	Basecoats, Clearcoats	22-29	1.5-2.0	12.4	350	10.5-11.0	270-285	1.1mm-1.5mm
T110	High Efficiency	Basecoats, Clearcoats	22-29	1.5-2.0	9.4	265	11.0-12.0	285-300	1.1mm-1.5mm
HV30	HVLP	Basecoats, Clearcoats	14-25	1.0-1.75	15.5	440	11.5-12.5	290-315	1.1mm-1.5mm

ProLite BASECOAT/CLEARCOAT GRAVITY FEED SPRAY GUNS

Features & Benefits:

- Lightweight design delivers a uniform spray pattern and atomization distribution for an exceptional quality finish that professional painters demand
- Range of advanced air cap technologies for excellent application performance with the latest waterborne and solventborne coatings
- Ergonomic handle design with reduced trigger travel to decrease operator fatigue
- Environmental legislation-compliant atomization with high transfer efficiency resulting in significant paint savings
- Drop-forged aluminum, anodized gun body with removable air baffle for a longer working life



Ref #	Part #	Description	Qty
1	905280	Retaining Ring Sub Assmby	1
2	905208	Spring Clip (kit of 5)	1
3	See Table 1	Air Cap & Retaining Ring	1
4	See Table 2	Fluid Nozzle	1
5	905297	Baffle Plate	1
6*	905287	Gasket (kit of 2)	1
7	905303	Spray Head Kit	1
8*	905294	Packing, Spring & Packing Nut Kit	1
9	906282	Air Valve Assembly	1
10	905301	Air Valve Body	1
11	See Table 2	Fluid Needle	1
12*	905283	Needle Spring Kit	1
13	905302	Fluid Adjusting Knob	1
14	905200	Circlip (kit of 5)	1

Ref #	Part #	Description	Qty
15*	-	Circlip	1
16*	-	O Ring	1
17*	-	Spreader Valve Pin	1
18	905276	Airflow Valve	1
19	905289	Color ID Ring Kit (4 colors)	1
20	905305	Air Inlet	1
21*	-	Trigger Screw	1
22*	-	Trigger Stud	1
23	905306	Trigger, Stud & Screw Kit	1
24	905275	Spreader Valve Assembly	1

* 905281 - Spray Gun Repair Kit contains all the parts indicated with an asterisk
 + 905206 - Seal & Pin Kit, kit of 5 (Items 15, 16, & 17)

ProLite

PRESSURE FEED SPRAY GUNS

PROLite



Specifications:

Weight (gun only)	500g
Gun Body	Anodized QuickClean™ Aluminum
Air Cap	Plated Brass
Air Cap Retaining Ring & Knobs	Clear Anodized Aluminum
Fluid Nozzle	Stainless Steel
Fluid Needle	Stainless Steel
Air Inlet Thread	1/4" Universal
Service Bulletin	SB-E-2-997

Top Assembly Part Numbers

Part Number	Description	Air Cap	Nozzle Size	Material Cup	Gauge	Material Feed
905125	PROLite Pressure Conventional Gun Kit	C797	1.4mm	-	-	Pressure
905128	PROLite Pressure High Efficiency Gun Kit	TE40	1.2mm	-	-	Pressure
905131	PROLite Pressure HVLP & High Efficiency Gun Kit	TE40/HV40	1.0mm, 1.4mm,	-	HAV-501	Pressure
905132	PROLite Pressure HVLP & High Efficiency Gun Kit	TE40/HV40	1.0mm, 1.2mm, 1.4mm	-	HAV-501	Pressure

Air Cap Selections - Table 1

Air Cap	Atomization Type	Applications	Recommended Inlet Pressures		Max Air Consumption		Fan Pattern Size		Nozzle Sizes
			PSI	BAR	SCFM	SLPM	in	mm	
TE30	High Efficiency	Multi Purpose	15-29	1.0-2.0	12.7	360	10.5-11.5	275-290	0.85mm-1.8mm
TE40	High Efficiency	Multi Purpose	29-44	2.0-3.0	12.0	340	13.0-16.5	330-420	0.85mm-1.8mm
C797	Conventional	Multi Purpose	29-44	2.0-3.0	14.5	410	13.0-16.5	330-420	0.85mm-1.8mm
HV40	HVLP	Multi Purpose	17	1.2	10.5	300	11.0-13.0	280-330	0.85mm-1.8mm

Fluid Nozzles & Needles - Table 2

Conventional				
Fluid Nozzles & Needles			Needle	
Part Number	Fluid Nozzle Size	Marking	Part Number	Marking
905220	0.85	PRO-245-085	905270	PRO-320-085-10
905221	1.0	PRO-245-10		
905222	1.2	PRO-245-12	905271	PRO-320-12-14
905223	1.4	PRO-245-14		
905224	1.6	PRO-245-16	905272	PRO-320-16-18
905255	1.8	PRO-245-18		

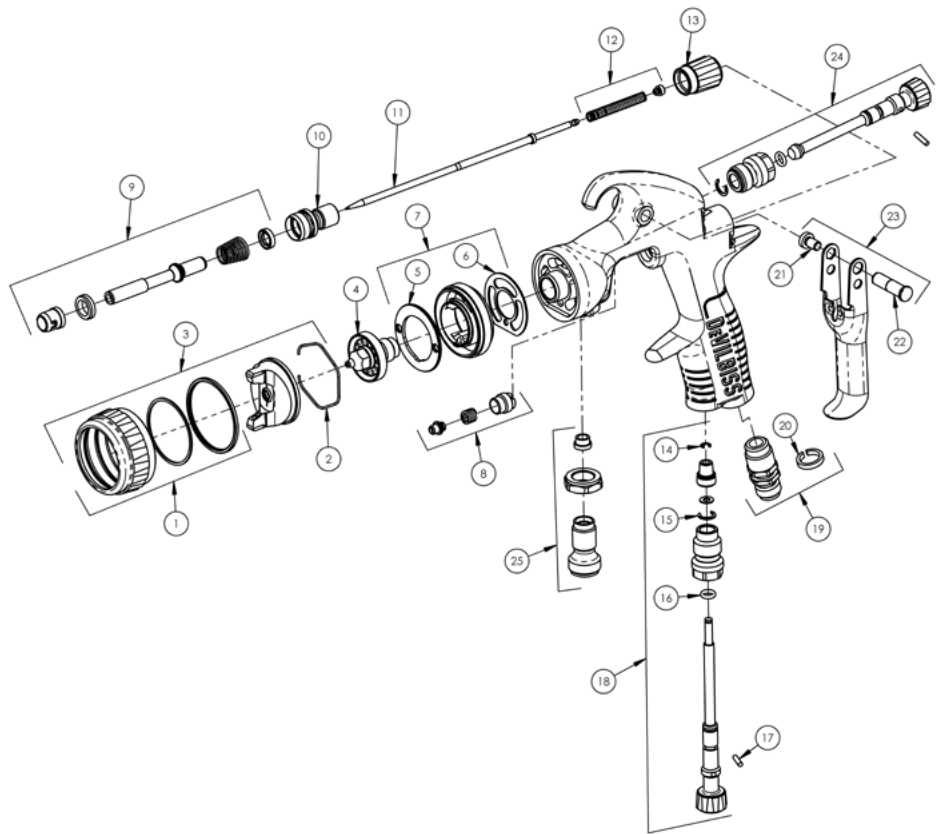
High Efficiency HVLP				
Pressure Fed Fluid Nozzles & Needles			Needle	
Part Number	Fluid Nozzle Size	Marking	Part Number	Marking
905256	0.85	PRO-205-085	905270	PRO-320-085-10
905257	1.0	PRO-205-10		
905259	1.2	PRO-205-12	905271	PRO-320-12-14
905261	1.4	PRO-205-14		
905263	1.6	PRO-205-16	905272	PRO-320-16-18
905264	1.8	PRO-205-18		
905265	2.0	PRO-205-20	905274	PRO-320-20-22
905331	2.2	PRO-205-22		

High Efficiency HVLP				
Suction Fed Fluid Nozzles & Needless			Needle	
Part Number	Fluid Nozzle Size	Marking	Part Number	Marking
905251	0.6	PRO-200-16	905274	PRO-325
905252	1.8	PRO-200-18		
905253	2.0	PRO-200-20		

ProLite PRESSURE FEED SPRAY GUNS

Features & Benefits:

- Lightweight design delivers a uniform spray pattern and atomization distribution for an exceptional quality finish that professional painters demand
- Range of advanced air cap technologies for excellent application performance with the latest waterborne and solventborne coatings
- Ergonomic handle design with reduced trigger travel to decrease operator fatigue
- Environmental legislation-compliant atomization with high transfer efficiency resulting in significant paint savings
- Drop-forged aluminum, anodized gun body with removable air baffle for a longer working life



Ref #	Part #	Description	Qty
1	905280	Retaining Ring Sub Assembly	1
2	905208	Spring Cup (kit of 5)	1
3	See Table 2	Air Cap & Retaining Ring	1
4	See Table 1	Fluid Nozzle	1
5	905297	Baffle Plate	1
6*	905297	Gasket (kit of 2)	1
7	905303	Spray Head Kit	1
8*	905294	Packing, Spring & Packing Nut Kit	1
9	905282	Air Valve Assembly	1
10	905301	Air Valve Body	1
11	See Table 2	Fluid Needle	1
12*	905283	Needle Spring Kit	1
13	905302	Fluid Adjusting Knob	1
14	905000	Circlip (kit of 5)	1
15*+	-	Circlip	1

Ref #	Part #	Description	Qty
16*+	-	O Ring	1
17*+	-	Spreader Valve Pin	1
18	905276	Airflow Valve	1
19	905305	Air Inlet	1
20	905289	Color ID Ring Kit (4 colors)	1
21*	-	Trigger Screw	1
22*	-	Trigger Stud	1
23	905306	Trigger, Stud & Screw Kit	1
24	905275	Spreader Valve Assembly	1
25	905001	Fluid Inlet Kit	1

* 905281 - Spray Gun Repair Kit contains all the parts indicated with an asterisk

+ 905206 - Seal & Pin Kit, kit of 5 (Items 15, 16, & 17)

ProLite S

GRAVITY FEED SPRAY GUNS

PROLiteS

Specifications:

Weight (gun only)	395g
Gun Body	Anodized Aluminum
Air Cap	Plated Brass
Air Cap Retaining Ring & Knobs	Clear Anodized Aluminum
Fluid Nozzle	Stainless Steel
Fluid Needle	Stainless Steel
Air Inlet Thread	1/4" Universal
Service Bulletin	SB-E-2-998



Fluid Nozzles & Needles - Table 2

Fluid Nozzle Size	Stainless Steel	
	Fluid Nozzle	Needle
06	905321	905325
08	905317	905323
10	905318	
12	905319	905324
14	905320	

Top Assembly Part Numbers

Part Number	Description	Air Cap	Nozzle Size	Material Cup
905081	PROLite-S Gravity HVLP & High Efficiency Micro Gun Kit	MC1, HV5	0.6mm	125mL, Acetal
905082	PROLite-S Gravity HVLP & High Efficiency Kit	HV5, TE5	1.0mm	125mL, Acetal

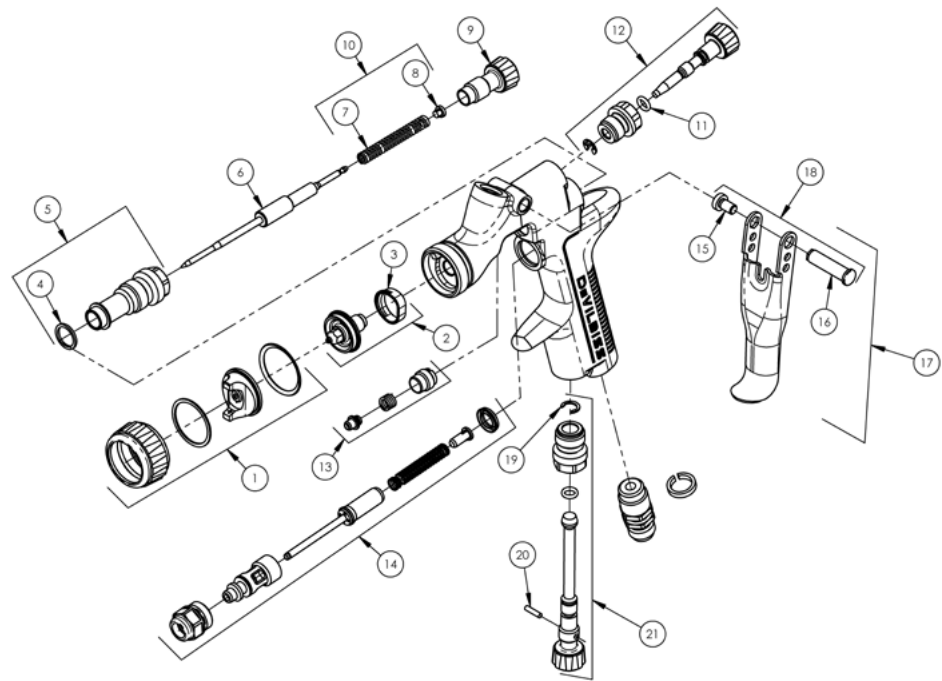
Air Cap Selections - Table 1

Air Cap	Atomization Type	Applications	Recommended Inlet Pressures		Max Air Consumption		Fan Pattern Size		Nozzle Sizes
			PSI	BAR	SCFM	SLPM	in	mm	
TE5	High Efficiency	Repair	29	2.0	3.5	100	4.0-7.0	100-180	0.8mm-1.4mm
HV5	HVLP	Repair	29	2.0	4.8	135	2.5-6.5	60-160	0.6mm-1.4mm
MC1	High Efficiency	Repair	15	1.0	1.8	50	.25-1.0	6-25	0.6mm
RS1	High Efficiency	Repair	29	2.0	1.9	55	1.0-2.0	25050	0.8mm-1.4mm

ProLite S GRAVITY FEED SPRAY GUNS

Features & Benefits:

- Lightweight and precision-engineered trigger action ensuring excellent control for superb feathering
- Comprehensive range of air cap, fluid nozzle and needle combinations for atomization of all types of waterborne and solventborne materials
- Renowned DeVilbiss fit, feel and balance is ensured by the ergonomically designed anodized, forged aluminum gun body
- Combines the performance and durability of a full-size gun with lightweight pinpoint delivery for spot repairs



Ref #	Part #	Description	Qty	Ref #	Part #	Description	Qty
1	See Table 1	Air Cup & Retaining Ring	1	13*	905294	Packing, Spring & Packing Nut Kit	1
2	See Table 2	Fluid Nozzle & Separator	1	14	905293	Air Valve Assembly	1
3*	905322	Separator (kit of 5)	1	15*	-	Trigger Stud Screw (T20 Torx)	1
4*	-	Body Brushing Seal	1	16*	-	Trigger Stud	1
5	905300	Body Brushing & Seal	1	17	905298	Trigger, Stud & Screw Kit	1
6	See Table 2	Fluid Needle	1	18	905295	Stud & Screw Kit (kit of 5)	1
7*	-	Needle Spring	1	19*	-	Circlip	1
8*	-	Needle Spring Pad	1	20*	-	Spreader Valve Pin	2
9	905304	Fluid Adjusting Knob	1	21*	905278	Airflow Valve	2
10	905299	Spring & Pad (kit of 3)	1				
11*	-	Spreader Valve Seal	1				
12	905326	Spreader Valve Assembly	1				

* 905279 - Spray Gun Repair Kit contains all the parts indicated with an asterisk

GPG GRAVITY FEED SPRAY GUN



Specifications:

Weight (gravity gun only)	445g
Weight (pressure gun only)	485g
Gun Body	Aluminum
Air Cap	Plated Brass
Air Cap Retaining Ring & Knobs	Clear Anodized Aluminum
Fluid Nozzle	Stainless Steel
Fluid Needle	Stainless Steel
Air Inlet Thread	1/4" Universal
Service Bulletin	SB-E-2-999

Fluid Nozzles & Needles - Table 2

Conventional				
Fluid Nozzles & Needles			Needle	
Part Number	Fluid Nozzle Size	Marking	Part Number	Marking
905213	1.4	PRIPRO-220-14	905218	PRO-306-12-14
905214	1.6	PRIPRO-220-16		
905215	1.8	PRIPRO-220-18		
905216	2.0	PRIPRO-220-20		
905217	2.5	PRIPRO-220-25	905219	PRO-306-16-18
905211	UV1	PRIPRO-219-UV1		
905212	UV2	PRIPRO-219-UV2	905267	PRO-306-12-14
905223	1.4	PRO-245-14		
905224	1.6	PRO-245-16	905268	PRO-306-16-18
905225	1.8	PRO-245-18		
905259	1.2	PRO-205-12	905267	PRO-306-12-14
905260	1.3	PRO-205-13		
905261	1.4	PRO-205-14		
905262	1.5	PRO-205-15		
905263	1.6	PRO-205-16	905268	PRO-306-16-18
905264	1.8	PRO-205-18		
905265	2.0	PRO-205-20	905269	PRO-306-20-22
905331	2.2	PRO-205-22		

Top Assembly Part Numbers

Part No.	Description	Air Cap	Nozzle Size	Material Cup	Gauge
905016	GPG GRAVITY HVLP Gun Kit	GPG2	1.3mm, 1.4mm, 1.5mm	900mL, Aluminum	HAV-501
905012	GPG GRAVITY HVLP Gun Kit	GPG2	1.3mm, 1.5mm, 1.8mm	900mL, Aluminum	HAV-501
905013	GPG GRAVITY HVLP Gun Kit	GPG2	1.3mm, 1.5mm, 1.8mm	560ml, Acetal	HAV-501
905014	GPG GRAVITY High Efficiency Gun Kit	GPG2	1.8mm, 2.2mm	560ml, Acetal	-
905015	GPG GRAVITY High Efficiency Gun Kit	7E7	1.2mm, 1.3mm, 1.4mm	900mL, Aluminum	HAV-501
905019	GPG GRAVITY High Efficiency Gun Kit	7E7	1.3mm, 1.4mm	-	HAV-555
905020	GPG GRAVITY High Efficiency Gun Kit	7E7	1.3mm, 1.4mm	900mL, Aluminum	HAV-555
905021	GPG GRAVITY High Efficiency Gun Kit	7E7	1.2mm, 1.3mm	-	HAV-555
905022	GPG GRAVITY High Efficiency Gun Kit	7E7	1.2mm, 1.3mm	900mL, Aluminum	HAV-555
905026	GPG GRAVITY HVLP & High Efficiency Gun Kit	PR10 & PR30	1.4mm, 1.6mm	900mL, Aluminum	-
905027	GPG GRAVITY HVLP & High Efficiency Gun Kit	PR10 & PR 30	1.8mm, 2.0mm	900mL, Aluminum	-
905028	GPG GRAVITY HVLP & High Efficiency Gun Kit	PR10 & PR 30	2.5mm	900mL, Aluminum	-
905036	GPG GRAVITY HVLP & High Efficiency UV Primer Gun Kit	PR10 & PR 30	UV1, UV2	560mL, UV Cup	-

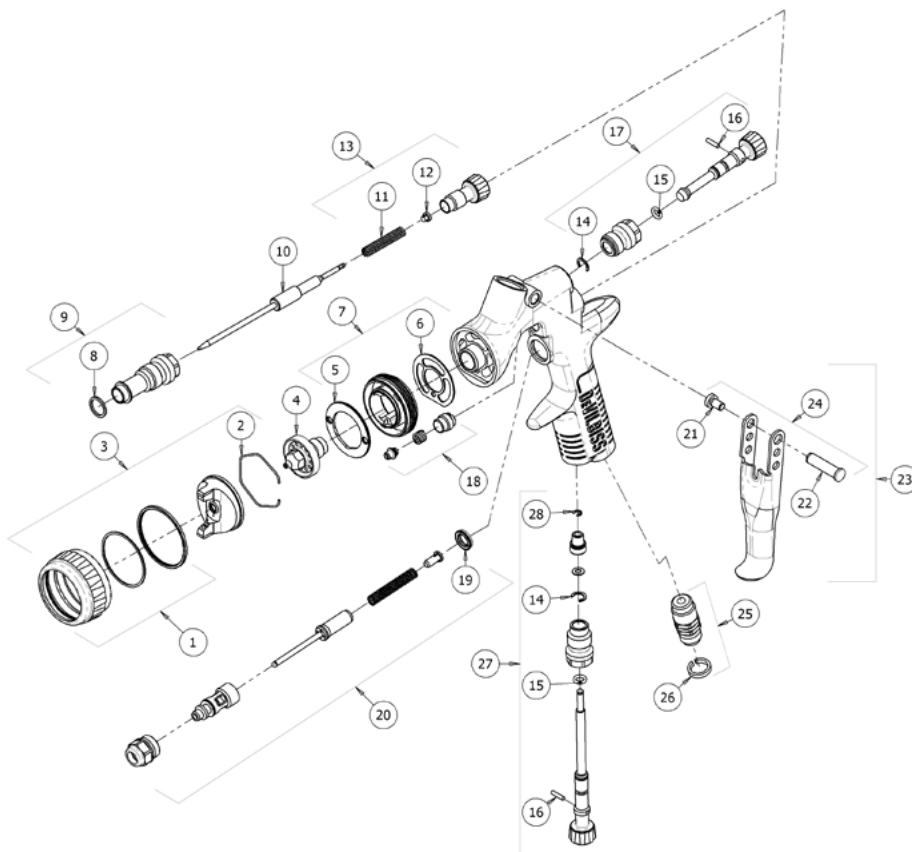
Air Cap Selections - Table 1

Air Cap	Atomization Type	Applications	Recommended Inlet Pressures		Max Air Consumption		Fan Pattern Size		Nozzle Sizes
			PSI	BAR	SCFM	SLPM	in	mm	
Multi-purpose									
7E7	High Efficiency	Basecoats, Clearcoats	16-22	1.1-1.5	10.8	305	9.5-10.5	240-265	1.2mm-1.4mm
GPG2	HVLP	Basecoats, Clearcoats	22-26	1.5-1.8	15.9	450	11.5-12.0	290-310	1.2mm-2.2mm
C86	Conventional	Basecoats, Clearcoats	29-44	2.0-3.0	10.6	300	10.5-11.5	270-290	1.4mm-1.8mm
C30	Conventional	Basecoats, Clearcoats	29-58	2.0-4.0	10.8	305	9.5-10.5	240-270	1.4mm-1.8mm
Primers									
PR10	High Efficiency	Primers	26-29	1.8-2.0	12.0	340	10.5-12.0	265-305	1.4mm-2.5mm, UV1, UV2
PR30	HVLP	Primers	17-21	1.2-1.4	16.0	450	11.0-13.0	280-330	1.4mm-2.5mm, UV1, UV2

GPG GRAVITY FEED SPRAY GUN

Features & Benefits:

- Rugged anodized and forged aluminum gun body with lightweight aluminum controls for a long working life
- Renowned DeVilbiss atomization quality for even paint distribution
- Robust and smooth air valve design provides greater air and paint control to help ease fade-outs and blend-ins
- Ultra high flow fluid nozzles provide superb versatility across the major range of viscosities
- Suitable for all primers including the latest generation waterborne and UV materials for fast and efficient application



Ref #	Part #	Description	Qty	Ref #	Part #	Description	Qty
1	905329	Retaining Ring Sub Assembly	1	16*+	-	Spreader Valve Pin	2
2	905208	Spring Clip (kit of 5)	1	17	905328	Spreader Valve Assembly	1
3	See Table 1	Air Cap & Retaining Ring	1	18*	905294	Packing, Spring & Packing Nut Kit	1
4	See Table 2	Fluid Nozzle	1	19	905290	Air Valve Seal	1
5	905297	Baffle Plate	1	20	905293	Air Valve Assembly	1
6*	905287	Gasket (kit of 2)	1	21*	-	Trigger Screw	1
7	905286	Air Cap & Retaining Ring	1	22	-	Trigger Stud	1
8*	-	Body Bushing Seal	1	23	905288	Trigger Screw	1
9	905300	Body Bushing & Seal	1	24	905295	Stud & Screw Kit (kit of 5)	1
10	See Table 2	Fluid Needle	1	25	905305	Air Inlet	1
11*	-	Needle Spring	1	26	905289	Color ID Ring Kit (kit of 4)	1
12*	-	Spring Pad	1	27	905277	Airflow Valve	1
13	905327	Fluid Adjusting Knob, Spring & Pad Kit	1	28	905200	Circlip (kit of 5)	1
14*+	-	Circlip (kit of 5)	2	* 905281 - Spray Gun Repair Kit contains all the parts indicated with an asterisk			
15*+	-	O Ring	2	+ 905206 - Seal & Pin Kit, kit of 5 (Items 14, 15, & 16)			

FLG GRAVITY/PRESSURE/SUCTION FEED SPRAY GUN



Specifications:

Weight (gravity gun only)	445g
Weight (pressure gun only)	485g
Gun Body	Aluminum
Air Cap	Plated Brass
Air Cap Retaining Ring & Knobs	Clear Anodized Aluminum
Fluid Nozzle	Stainless Steel
Fluid Needle	Stainless Steel
Air Inlet Thread	1/4" Universal
Service Bulletin	SB-E-2-999

Fluid Nozzles & Needles - Table 2

Conventional			Needle	
Fluid Nozzles & Needles			Needle	
Part Number	Fluid Nozzle Size	Marking	Part Number	Marking
905343	1.1	SGK-13-11	905346	SGK-402-11
905340	1.3	SGK-12-13	905348	SGK-414
905341	1.4	SGK-12-14	905347	SGK-402-12
			905348	SGK-0414
905344	1.8	SGK-14-18	905349	SGK-418
			905351	SGK-430-18
905342	2.0	SGK-12-20	905350	SGK-420

Top Assembly Part Numbers

Part Number	Description	Air Cap	Nozzle Size	Material Cup	Gauge	Material Feed
905161	FLG Pressure HVLP Gun Kit	FLG-693	1.4mm, 1.8mm	-	HAV-501	Pressure
905162	FLG Pressure HVLP Gun Kit	KB-555 2 QT	1.4mm, 1.8mm	KB-555 2QT	-	Pressure
905163	FLG Gravity HVLP Gun Kit	FLG-693	1.3mm, 1.4mm, 1.8mm	900ml, Aluminum	HAV-501	Gravity
905165	FLG Gravity HVLP Gun Kit	FLG-693	1.8mm, 2.0mm	900ml, Aluminum	-	Gravity

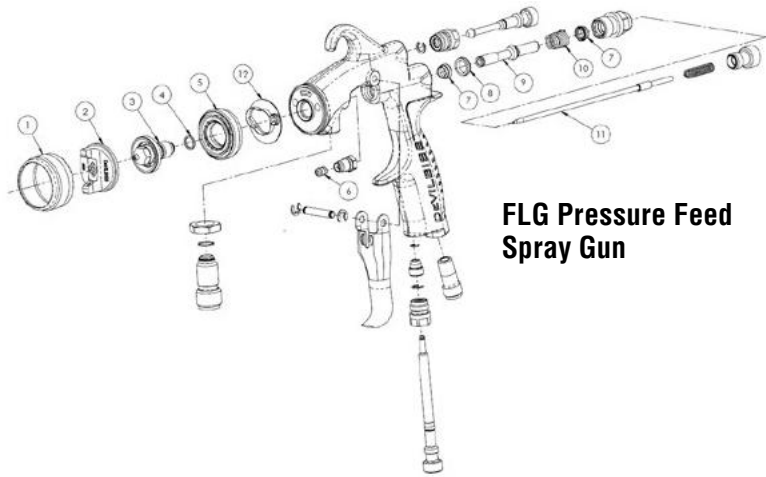
Air Cap Selections - Table 1

Air Cap	Atomization Type	Applications	Recommended Inlet Pressures		Max Air Consumption		Fan Pattern Size		Nozzle Sizes
			PSI	BAR	SCFM	SLPM	in	mm	
Gravity Feed									
FLG-693	HVLP	All Purpose	26	1.75	12.0	340	11.0-12.0	285-300	1.3mm-2.0mm
FLG-5	High Efficiency	All Purpose	35	2.4	9.9	280	11.0-12.0	285-300	1.3mm-2.0mm
Pressure Feed									
FLG-693	HVLP	All Purpose	26	1.75	12.0	340	11.0	285-300	1.1mm-1.8mm
FLG-622	High Efficiency	All Purpose	35	2.4	9.9	280	12.0	285-300	1.1mm-1.8mm
Pressure Feed Only									
Suction Feed									
FLG-693	HVLP	All Purpose	26	1.75	12.0	340	11.0-12.0	285-300	1.8mm
FLG-5	High Efficiency	All Purpose	35	2.4	9.9	280	11.0-12.0	285-300	1.8mm

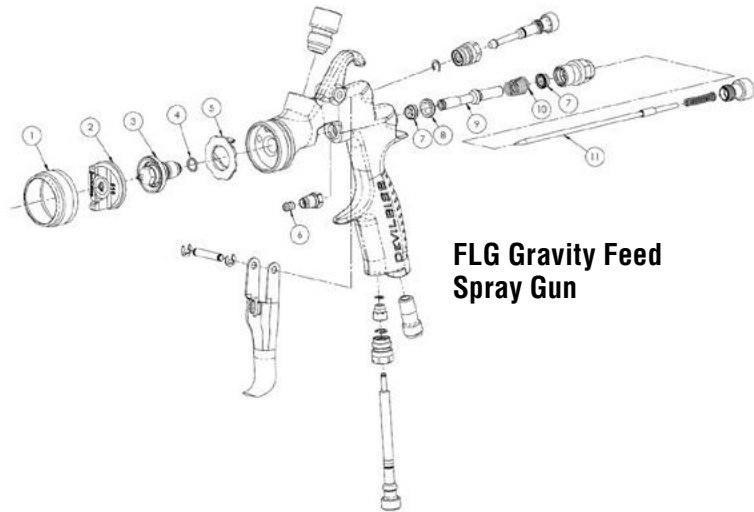
FLG GRAVITY/PRESSURE/SUCTION FEED SPRAY GUN

Features & Benefits:

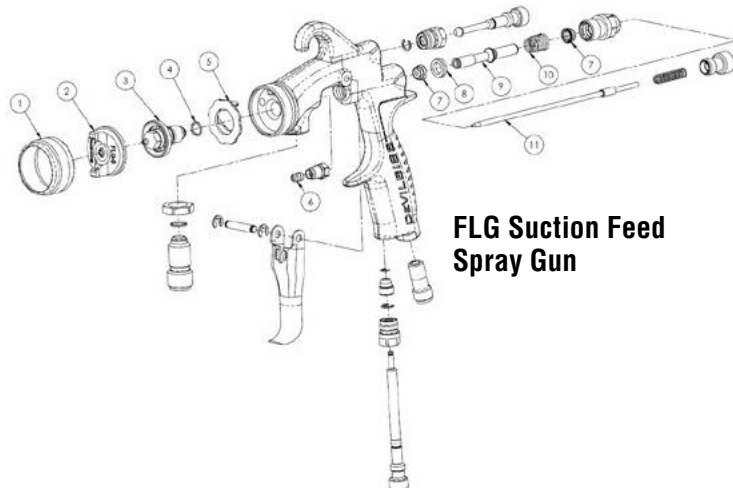
- Full control of pattern shape, fluid flow rate and air inlet pressure for consistent application
- Ergonomic gun handle shape for balance, grip and comfort
- Smooth action trigger with exceptionally light pull for reduced fatigue during long operation
- Efficient atomization technology for reduced material usage
- Flexible setup options of gravity, suction or pressure feed to meet your needs



FLG Pressure Feed Spray Gun



FLG Gravity Feed Spray Gun



FLG Suction Feed Spray Gun

Ref #	Part #	Description	Qty
1	905345	Retaining Ring	1
2	See Table 1	Air Cap	1
3	See Table 2	Fluid Nozzle	1
4*	-	Gasket	1
5**	-	Sprayhead, Gravity & Suction Sprayhead, Pressure Only	1
6	-	Needle Packing	1
7*	-	Seal	2
8*	-	Valve Seat	1
9*	-	Air Valve Steam	1
10*	-	Air Valve Spring	1
11	See Table 2	Fluid Needle	1
12*	-	Gasket (Kit of 2)	1

905335 - Gravity/Suction Gun Baffle Replacement Kit (Items 4 & 5)

905336 - Pressure Gun Baffle Replacement Kit (Items 4 & 5)

* 905337 - Gravity/Suction Gun: Seal, Baffle & Gasket Replacement Kit (Items 4, 5, 6, 7, 8, 9 & 10)

+ 905338 - Pressure Gun: Seal, Baffle & Gasket Replacement Kit (Items 4, 5, 7, 8, 9, 10 & 12)

StartingLine® HVLP Auto Painting GUN KITS

SLG™

Specifications

Finish Coat & Primer Gun

30 PSI inlet pressure delivers 10 PSI air cap pressure at 13 CFM air volume

Detail Gun

30 PSI inlet pressure delivers 10 PSI air cap pressure at 8 CFM air volume

All Guns

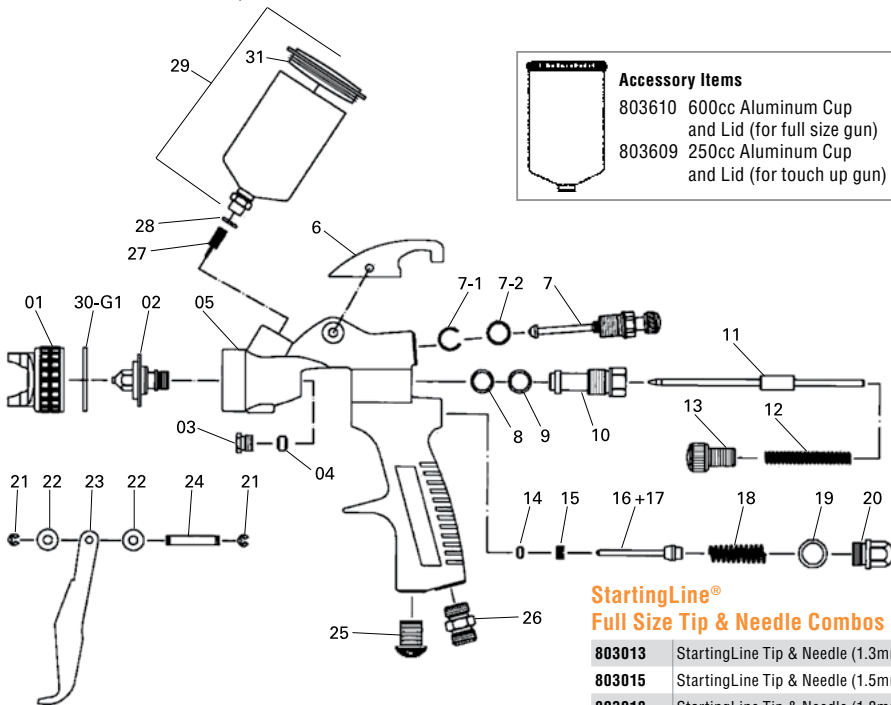
Air inlet: 1/4" NPS

Order No.	Kit	Guns Included	Fluid Tip (mm)	Cup(s) Included	Accessories Included
802342	2-Gun Painting & Touch Up	Finish Coat Detail	1.3 1.0 1.8	One 600cc (20 oz.) One 250cc (8.5 oz.)	Cleaning brushes, wrench, air adjusting valve with gauge
802343	2-Gun Painting & Priming	Finish Coat Primer	1.3 1.5 1.8	Two 600cc (20 oz.)	Cleaning brushes, wrench, air adjusting valve with gauge
802789	3-Gun Painting	Finish Coat Primer Detail	1.3 1.8 1.0	Two 600cc (20 oz.) One 130cc (4 oz.)	Cleaning brushes, wrench, air adjusting valve with gauge
802405	Detail Gun only		1.0	One 250cc (8.5 oz.)	None



Detail gun also sold separately

Refer to Service Bulletins: SB-2-634, SB-2-610 and SI-2-61-10



StartingLine® Full Size Tip & Needle Combos

803013	StartingLine Tip & Needle (1.3mm)
803015	StartingLine Tip & Needle (1.5mm)
803018	StartingLine Tip & Needle (1.8mm)

- Gun Repair Kit
Full Size (802425)
Touchup (802426)
- ▲ Cup Fitting Gasket Kit
Full Size and Touchup (803615)

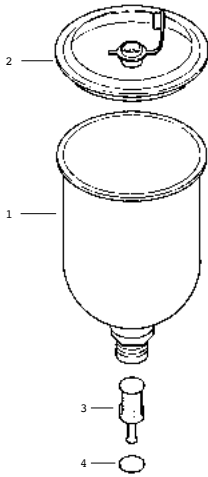
Ref. No.	Part No.	Description	Ind. Parts Req.
1	—	Air Cap W/Ring	1
2	—	Fluid Nozzle	1
●3	—	Nut	1
●4	—	Gasket	1
5	—	Gun Body	1
6	—	Hook	1
7	—	Fan Control	1
●7-1	—	C-Clip	2
●7-2	—	O-Ring	2
●8	—	Gasket	1
●9	—	O-Ring	1
10	—	Housing	1
11	—	Paint Needle	1
●12	—	Spring	1
13	—	Knob, Fluid Control	1
●14	—	Gasket	1
●15	—	Screw	1
●16+17	—	Valve Stem Complete	1
●18	—	Spring	1
●19	—	O-Ring	1
20	—	Air Valve Nut	1
●21	—	E-Ring	2
22	—	Washer	2
23	—	Trigger	1
●24	—	Trigger Stud	1
25	—	Plug	1
26	—	Air Inlet Fitting	1
27	—	Filter	1
●▲28	—	Gasket for Fitting	2
29	803610	600cc Alum. Cup & Lid	1
	803609	250cc Alum. Cup & Lid	1
●30-G1	—	Gasket for Air Cap	1
31	803591	600cc Push-In Lid	2
	803590	250cc Push-In Lid	2

Gravity Cups PARTS & ASSEMBLY

Refer to Service Bulletins: SB-4-261 (GFC-501), TB-1003 (702576)

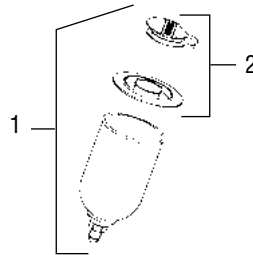
Refer to Part Sheets: 77-2739 (81-381) and 77-2719 (54-4458)

702576 TEKNA Gravity Feed Cup/Aluminum



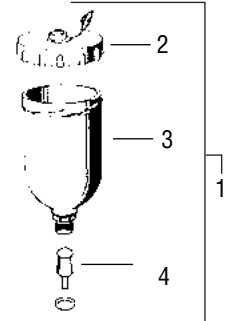
Ref. No.	Replacement Part No.	Description	Ind. Parts Req.
1	702576	Metal Gravity Feed Cup (900cc)	1
2	GFC-404-K2	Disposable Lid Kit (Kit of 2)	1
3	KGP-5-K5	Filter Kit (Kit of 5)	1
4	KGP-13-K5	Cup Gasket (Blue) (Kit of 5)	1

900875 (54-4458) 4 oz. Aluminum Cup



Ref. No.	Order No.	Model No.	Description	Ind. Parts Req.
1	900875	54-4458	Gravity Feed Cup Assembly (4 oz.)	1
2	900902	54-4539	4 oz. Cup Lid Assembly (Kit of 3)	1

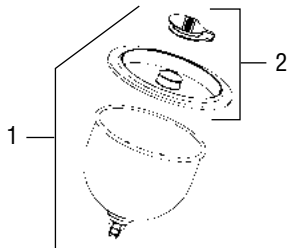
190252 (GFC-501) Gravity Feed Cup/Acetal



Ref. No.	Order No. Model No.	Description	Ind. Parts Req.
1	190252 GFC-501	Cup Assembly, 20 oz. Acetal	1
2	190225 GFC-402	Cup Lid Assembly	1
3	190181 KGP-5-K5	Filter (Kit of 5)	1
4	192151 KGP-13-K5	Cup Gasket (Blue) (Kit of 5)	1

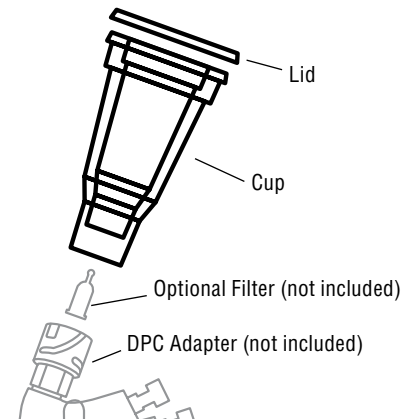
● For GTI, FLG, M1-G, PRI and GFG Plus (Blue)

901430 (81-381) 8 oz. Aluminum Cup



Ref. No.	Order No.	Model No.	Description	Ind. Parts Req.
1	901430	81-381	Gravity Feed Cup Assembly (8 oz.)	1
2	900787	54-4251	Cup Cover Kit (Kit of 3)	1

803510 (DPC-503-K24) 3 oz. Plastic Cups and Lids Kit of 24



Gravity Feed Cups

Cups to fit DeVilbiss, Binks, FinishLine, and TEKNA Gravity Spray Guns

Order No.	Model No.	Cup Size	Application
190252	GFC-501	20 oz. Acetal	All full size current DeVilbiss, TEKNA, Binks and FinishLine gravity guns
901430	81-381	8 oz. Aluminum	DeVilbiss DV1S, ProLite S, SRI, SRIW, SRIPro, and Binks Cub gravity guns
900875	54-4458	4 oz. Aluminum	DeVilbiss DV1S, ProLite S, SRI, SRIW, SRIPro, and Binks Cub gravity guns
905311	905311	4 oz. Acetal	Acetal Gravity Cup
702576	702576	900cc Aluminum	All full-size current DeVilbiss, TEKNA, Binks and FinishLine gravity guns
803510	DPC-503-K24	3 oz. Plastic	Fits on all DPC adapters
905205	905205	20 oz.	Black UV gravity cup kit



GFC-501



81-381



54-4458



702576



DPC-503-K24



905205

StartingLine Gravity Feed Cups

Order No.	Cup Size	Application
803610	600cc Aluminum	StartingLine Finish Coat and Primer gravity guns
803609	250cc Aluminum	StartingLine Detail gravity guns
803591	600cc Aluminum	Push-in lids (2)
803590	250cc Aluminum	Push-in lids (2)



803610



803609



803590



803591

E-Z Liners

Most Economical Disposable Paint Cup System Available

- Saves time with easy clean up and less mess
- Saves money by greatly reducing solvent use for clean up

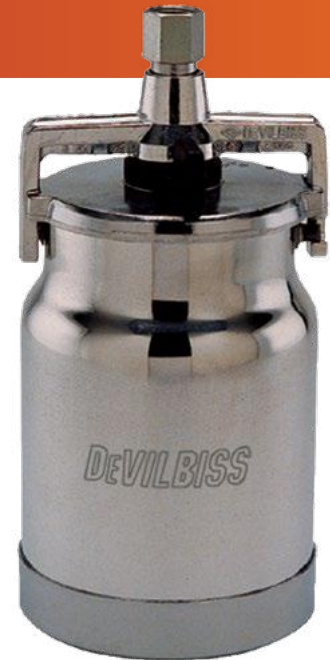
Order No.	Model No.	Description
190966	OMX-70-K48	E-Z Liner Kit (48 liners & bushings)



Suction Feed Cups

DeVilbiss Suction Feed Cups

Order No.	Model No.	Cup Size	Application
120011	TGC-545	1 qt. Aluminum	All full size current Binks, DeVilbiss and FinishLine suction guns

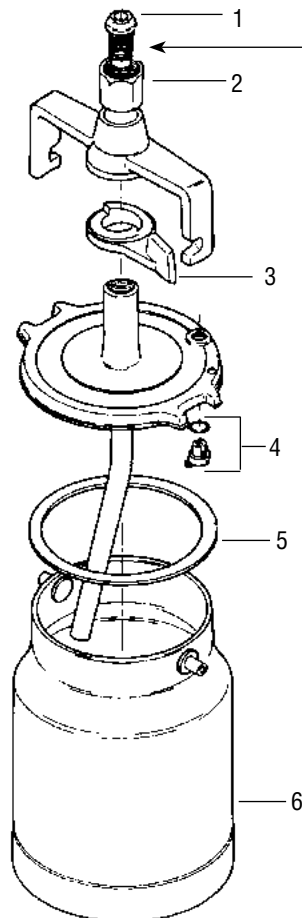


Patented “Drip Free Design”

One Quart Plus Capacity (37 oz.)

Refer to Service Bulletins: SB-4-391 (TGC-545)

120011 (TGC-545)



Apply Loctite #262 to first two threads.

TGC-545 Suction Cup Parts

Ref. No.	Order No. Model No.	Description	Ind. Parts Req.
1	—	Adapter, 1/2" NPS (M)	1
2	—	Nut, 3/8" NPS (F)	1
3	—	Cam	1
4	190924 TGC-407-1-K3	Drip Free Valve & Gasket (Kit of 3)	1
5	190391 TGC-9-K5	*Tri Seal® Lid Gasket (Kit of 5)	1
6	—	Suction Cup Assembly (Quart)	1

● 190925 (KK-5007) Repair Kit includes items 1–5. Repair kit contains enough parts to repair one complete assembly (see parts list below).

Suffixes: Suffix -K3 designates a kit of multiple parts. Example: TGC-407-1-K3 is a kit of 3 drip free valves.

* Registered Trademark of Tri-Seal International

● Repair Kit 190925 (KK-5007)

Ref. No.	Description	Qty.
1	Adapter, 1/2" NPS (M)	1
2	Nut, 3/8" NPS (F)	1
3	Cam	1
4	Drip Free Valve & Gasket	1
5	*Tri-Seal® Lid Gasket	1

KBII™ Pressure Cup and Liner Kit

Comfortable to carry.

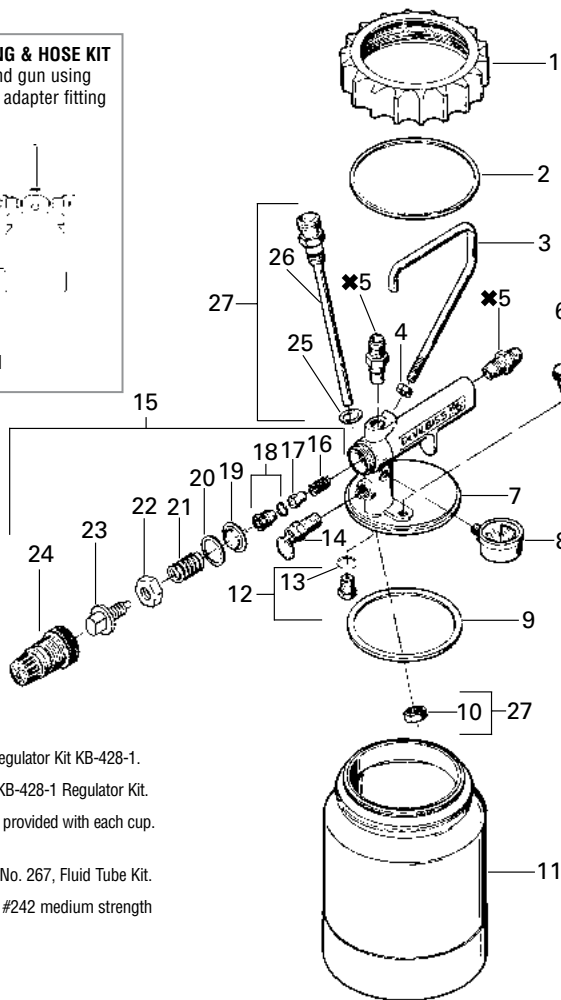
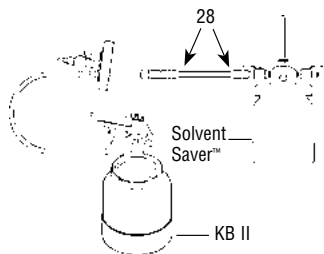
Easy clean ups with disposable liners

Order No.	Model No.	Capacity	Regulation
120033	KB-555	2 qt.	Yes
192025	KK-5051	EZ Liner Kit for KBII, Qty. 20	



Refer to Service Bulletin: SB-4-205

192026 (KK-5052) ADAPTER FITTING & HOSE KIT
Allows flushing of cup tube, hose and gun using SolventSaver™. Kit includes: HD-410 adapter fitting and 2' hose assembly.



Ref. No.	Replacement Part No.	Description	Ind. Parts Req.
1	KB-64	Retaining Ring	1
#2	KB-81-K5	Slip Ring (Kit of 5)	1
*3	KB-74	Handle – Secondary	1
4	—	Nut 5/16" -18 (Purchase locally)	1
5	P-MB-51	Adapter	2
#6	KB-66	Pressure Bleed Valve (For KB-555)	1
#	KB-95	Pressure Bleed Valve (For KB-545-SS)	1
7	KB-70	Lid w/handle (For KB-555)	1
	KB-93	Lid w/handle (For KB-545-SS)	1
8	GA-355	Pressure Gauge 0-30 PSI	1
#9	KB-80-K5	Gasket (Kit of 5)	1
+10	MBD-11-K5	Locknut (For KB-555, Kit of 5)	1
	KB-97-K2	Locknut (For KB-545-SS, Kit of 2)	1
11	KB-422	2 qt. cup (For KB-555)	1
	KB-442	2 qt. cup (For KB-545-SS)	1
12	KB-432-K3	Check Valve (Kit of 3)	1
#13	KB-85-K5	Gasket (Kit of 5)	1
14	TIA-4355	Safety Valve	1
15	KB-428-1	Regulator Kit	1
*16	—	Valve Spring	1
*17	—	Valve, PTFE	1
*18	—	Valve Seat & O-Ring Assembly	1
*19	—	Diaphragm, PTFE protected	1
*20	—	Slip Ring	1
*21	—	Regulator Spring	1
*22	—	Nut	1
*23	—	Adjusting Screw	1
*24	—	Bonnet	1
+25	KB-60-K6	Gasket (Kit of 6)	1
+26	—	Fluid Tube Assembly	1
27	KK-4997	Fluid Tube Kit – (Aluminum for KB-555)	1

- These parts are included in the Regulator Kit KB-428-1.
- # Recommended Spare Parts and KB-428-1 Regulator Kit.
- * A secondary handle (3) has been provided with each cup. May be used for "Belt Hanging."
- + These parts are included in Ref. No. 267, Fluid Tube Kit.
- ✘ Apply thread sealant (i.e. Loctite #242 medium strength blue or equal) unto threads.

Solvent Saver™ HOSE & GUN CLEANER

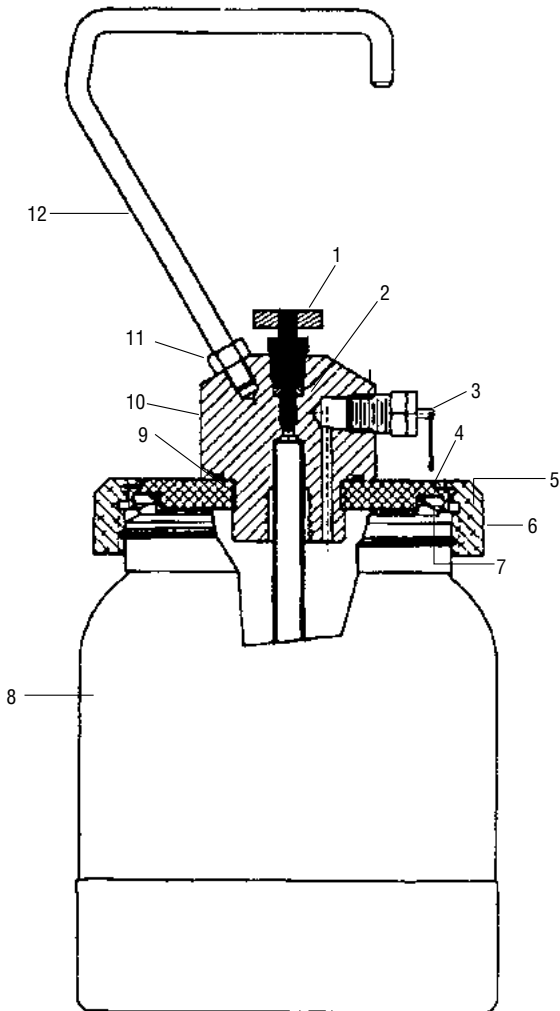
A Real Time Saver

Cleans fluid hoses quickly
without wasting solvent

Order No.	Model No.	Capacity
180037	HD-503	2 qt.



Refer to Service Bulletin: SB-14-052



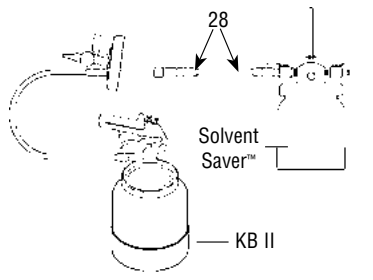
Ref. No.	Order No.	Model No.	Description	Ind. Parts Req.
1	—	—	Needle Valve Assembly	1
2	—	—	Needle Valve Gasket (Kit of 2)	1
3	190582	TIA-4355	Safety Valve	1
4	—	—	Lid	1
5	190577	KB-81-K5	Ring Gasket (Kit of 5)	1
6	190573	KB-64	Retaining Ring	1
7	190576	KB-80-K5	Gasket Kit (Kit of 5)	1
8	190578	KB-422	Cup (2 quart)	1
9	191882	SSG-8184-K2	O-Ring Kit (Kit of 2)	1
10	—	—	Hub Assembly	1
*11	Purchase locally	—	Nut (5/16-18)	1
12	190575	KB-74	Handle	1

OPTIONAL:

192026 (KK-5052)

ADAPTER FITTING & HOSE KIT

Allows flushing of cup tube, hose and gun using SolventSaver™. Kit includes: adapter fitting and 2' hose assembly.



Pressure Tanks

HEAVY-DUTY, A.S.M.E. CODE PRESSURE TANKS

- Comply with O.S.H.A. Regulations

9.8 Gallon A.S.M.E. Code Pressure Tank

- Quick, efficient cleanup with anti-stat liners
- Holds a 5-gallon pail

2.7 Gallon A.S.M.E. Code Pressure Tank

- Available in single and double regulated versions
- Quick, efficient cleanup with anti-stat liners

Order No.	Model No.	Capacity	Regulation	¾ H.P. Air Driven Agitation included
901558	83C-210	2.7 gal.	Single	No
901560	83C-220	2.7 gal.	Double	No
901561	83C-221	2.7 gal.	Double	Yes
930780	183G-520	9.8 gal.*	Double	No (available separately)

*183G-520 holds a 5-gallon pail



ACCESSORIES

192231
PTS-2GAL-K20-400
2.7 gal. strainer

130090
HGS-5242
Fluid regulator

192242
HAR-511
60 CFM fluid pressure tank regulator

191696
PTL-406-K20
9.8 gal tank liner

180073
VS-532
Filter assembly

180053
QMG-418
Agitator assy.

180042
JGA-444
Fluid tube



Pressure Tank Liners

Order No.	Model No.	Description
192143	PT-52	Tank Liner (order quantity 10)
192153	PT-52-K60	Tank Liner
191696	PTL-406-K20	Tank Liner

Tank Liner Selection Chart

	Tank Liners		DeVILBISS Pressure Tanks				BINKS Pressure Tanks and Cups					
	Fits Tank Size	Case Qty.	All Series Tanks	QMG-5200 QMST-5200	QMG-5500 QMST-5500	QMG-51000 QMST-51000	83B, 83C	183G-500 83G-500	2 Qt. Cup Steadi-Grip	83-5600 83-15600	83-5500 83-15500	83-5400
DeVilbiss	PT-52	2.7 gal.	10	X	X		X					
	PT-52-K60	2.7 gal.	60	X	X		X					
	PTL-406-K20	9.8 gal.	20			X		X				
	PTL-410-K8	11.8 gal.	8								X	
Binks	80-356	2 qt.	12					X				
	83-2878	2 gal.	12						X			
	6-228-60	2 gal.	60						X			
	6-238-60	2 gal.	60							X		
	6-239	5 gal.	24								X	

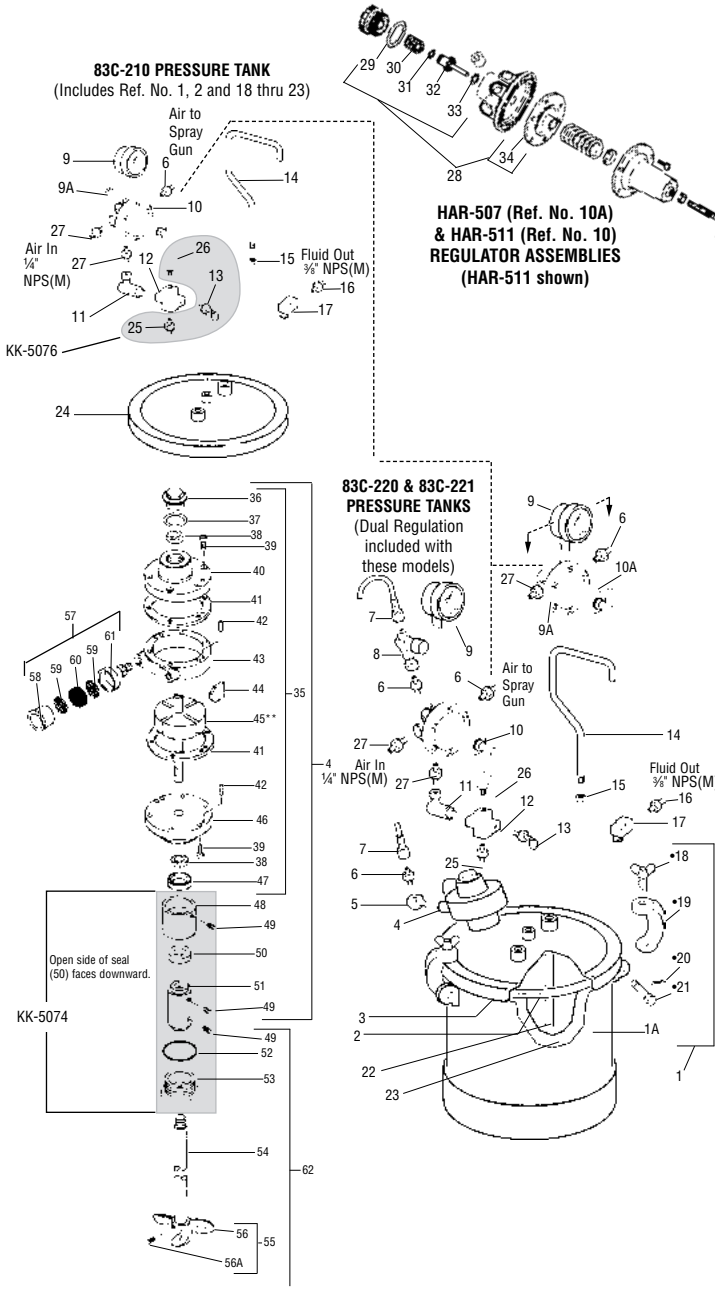
DeVilbiss PT-52 series tank liners also fit Binks 83B and 83C tank series
 DeVilbiss PTL-406 series tank liners also fit Binks 83G-500 and 183G-500 tank series
 Binks PTL-408 series tank liners also fit DeVilbiss QMG-5500 and QMST-5500 tank series



PT II™ A.S.M.E. Code Pressure Tanks

PARTS AND ASSEMBLY

Refer to Part Sheet: SBBI-21-044



* Parts included in KK-5076 Kit (1 ea. of #'s 18, 19, 20 & 21).

● Parts included in PT-410 Air Motor Assembly.

† Parts included in KK-5001-1 Air Motor Repair Kit.

◆ Parts included in KK-5006 Strainer Screen & Felt Kit (2 ea. of #59, 4 ea. of #60).

★ Parts included in KK-5076 Kit (1 ea. of #'s 13, 25 & 26).

■ Parts included in KK-5074 Kit (1 ea. of #'s 49, 50, 51, 52 & 53).

Suffixes: -K designates kits of multiple parts. Example: SSG-8096-K5 is a kit of 5 O-Rings.

Ref. No.	Order No.	Model No.	Description	Parts Req.
1	—	—	Tank Assy. Kit (Includes #'s 1A, 18, 19, 20 & 21)	1
1A	—	—	Tank Shell	1
2	192070	PT-33-1	Lid Gasket, Santoprene	1
3	—	—	Lid, Zinc Plated (Agitator)	1
4	—	—	Air Motor/Adapter Assy. (#'s 35, 48, 49, 50 & 51)	1
5	Purchase locally	—	Street Elbow 1/4" NPT (F) x 1/4" NPT (M)	1
6	240006	H-2008	Nipple 1/4" NPT (M) (83C-210 & 83C-220) x 1/4" NPS (M) (83C-211 & 83C-221)	2
3	—	JGA-4035-K5	Packing (Kit of 5)	1
7	—	—	Hose Assembly	1
8	180005	HAV-500	Air Adjusting Valve 1/4" NPS (F) x 1/4" NPT (M)	1
9	901540	83-2727	Gauge (83C-210 & 83C-220) Gauge (83C-211 & 83C-221)	1 2
9A	Purchase locally	—	Pipe Plug 1/4" NPT(M) (Supplied/Regulator)	1
10	192242	HAR-511	Regulator (All regulated models)	1
10A	130059	HAR-507	Regulator (83C-211 & 83C-221)	1
11	190360	SSP-30-ZN	90° Swivel Adapter 1/4" NPS (F) x 1/4" NPT (M)	1
12	Purchase locally	—	Cross 1/4" NPT (F)	1
★13	—	—	Safety Valve, 80 PSI	1
14	190290	PT-32	Handle	1
15	Purchase locally	—	Hex Nut 3/8" -16	1
16	240000	AD-11	Nipple 3/8" NPT (M) x 3/8" NPT (M), S.S.	1
17	Purchase locally	—	Street Elbow 3/8" NPT (F) x 3/8" NPT (M), S.S.	1
*18	—	—	Thumb Screw	4
*19	—	—	Yoke Assembly	4
*20	—	—	Cotter Pin, 3/32 x 1"	4
*21	—	—	Hinge Pin	4
22	190289	PT-31	Fluid Tube	1
23	192153	PT-52	Tank Liner	1
24	—	—	Lid, Zinc Plated	1
★25	—	—	Hex Nipple 1/4" NPT (M)	1
★26	—	—	Drain Valve	1
27	901552	83-4233	D.M. Nipple (Universal Pipe Thread) (83C-210 & 83C-211) (83C-220 & 83C-221)	2 3
28	191554	KK-4977	Repair Kit	1
29	—	—	O-Ring	1
30	—	—	Spring	1
31	—	—	O-Ring	1
32	—	—	Valve	1
33	—	—	O-Ring	1
34	—	—	Diaphragm Assembly	1
35	190301	PT-410	Air Motor Assembly	1
36	—	—	End Cap	1
†37	—	—	End Cap Gasket	1
38	190313	PT-58	Bearing	2
39	Purchase locally	—	Screw (1/4" -28 x 1/2")	12
●40	—	—	Front Plate	1
†41	—	—	End Plate Spacer	2
42	—	—	Dowel Pin	4
●43	—	—	Body	1
†44	—	—	Vane	4
45	—	—	Rotor Assembly	1
●46	—	—	End Plate	1
47	190311	PT-56	Shaft Seal	1
48	—	—	Air Motor Adapter	1
■49	Purchase locally	—	Set Screw (1/4" -20 x 1/4")	4
■50	190292	KK-5041	Seal Assembly	1
■51	—	—	Shaft Coupling	1
■52	190354	SSG-8096-K5	O-Ring (Kit of 5)	1
■53	—	—	Adapter Nut	1
54	—	—	Shaft	1
55	—	—	Propeller Assembly	1
56	—	—	Propeller	1
56A	Purchase locally	—	Set Screw (1/4" -20 x 3/8" S.S.)	1
57	—	—	Muffler Assembly	1
58	See 57	—	Body	1
◆59	See 57	—	Screen	2
†◆60	See 57	—	Felt	1
61	See 57	—	Cap	1
62	192271	KK-5075	Agitator Shaft Assy. (Optional-Order Separately)	1

SNAP N FLOW™

by DeVilbiss

Using the SNAP N FLOW™ disposable cup system makes automotive refinishing jobs easier, faster and more efficient. The system:

- Requires fewer steps
- Improves color matching
- Minimizes paint usage
- Creates less mess and quicker cleanup
- Provides easy paint storage options
- Offers greater savings on materials and time



SNAP N FLOW™ COMPONENTS

Description	Model Number	Order Number
Demo Kits		
125 Micron Demo Kit	SNF-601	803828
200 Micron Demo Kit	SNF-602	803887
Small Jobs		
15 oz. Disposable Mixing Cup (100)	SNF-15-K100	804523
15 oz. 125 Micron Lid (48)	SNF-431-K48	804524
15 oz. 200 Micron Lid (48)	SNF-432-K48	804525
15 oz. Flat Storage (50)	SNF-22-K50	804526
Large Jobs		
32 oz. Disposable Mixing Cup (100)	SNF-32-K100	803767
32 oz. 125 Micron Lid (48)	SNF-421-K48	803761
32 oz. 200 Micron Lid (48)	SNF-422-K48	803762
32 oz. Flat Storage (50)	SNF-8-K50	803769
Accessories		
Plugs (8)	SNF-9-K8	804333
Shaker Ring Kit	SNF-21-K2	804515
Adapters		
DeVilbiss , Binks , Sharpe	SNF-43	803750
DeVilbiss SRI, Binks Cub	SNF-23	803747
FinishLine G2, G3, G4	SNF-31	803749
StartingLine	SNF-64	803751
StartingLine , Sharpe Finex	SNF-81	803753
3M	SNF-500	803754
Acuspray	SNF-26	803748
Acuspray 2.0 Disposable Head	SNF-87	804518
Acuspray DispHd	SNF-85	803857
Iwata SuperNova, W300	SNF-78	803752
Sagola	SNF-13	803746
Sata Full QCC and Threaded	SNF-504	803852
Sata Minis QCC and Threaded	SNF-502	803756
Sata NR2000 & RP	SNF-10	803744
Sata NR95, Iwata	SNF-11	8033745

SNAP N FLOW™



Simple System

Provides a more intuitive, familiar method of mixing and spraying paint

SNAP N FLOW™ significantly reduces the number of components (and steps) needed to complete a job.

- A** The unique chambered lid and venting tube design maximizes fluid flow to the spray gun. Lid sizing is optimized to 15 and 32 ounces - for small and large jobs. Lids with integrated filters are available in 125- or 200-micron sizes.
- B** The 15- and 32-ounce SNAP N FLOW™ mixing cups are industry-standard sized and feature flat bottoms for easy stirring.
- C** The easy-connect adapter securely attaches the gravity spray gun to the SNAP N FLOW™ lid. Adapters are available to fit a majority of gravity guns from major gun manufacturers.
- D** The sturdy flat lids are used when paints need to be mixed on the shaker. These flat lids are also used for longer-term paint storage.
- E** A shaker adapter is used with the flat lid for shaker mixing.
- F** Special SNAP N FLOW™ plugs snap on the cone-shaped lids. The unique design allows the cup and vented lid system to be stored upside down — keeping the filter wet during paint storage.

DeKUPS®
by DeVilbiss

**The Ultimate
in Productivity**

Saves Time and Money

- Better fluid flow for great color match
- Positive locking gun connection
- Refill without opening the cup
- Self-dispensing packaging
- Larger capacity cups

DeKups® Disposables and Reusables

Order No.	Model No.	Description
802102	DPC-602	9 fl. oz./265 ml Disposable cup/lid (32)
802101	DPC-601	24 fl. oz./710 ml Disposable cup/lid (32)
802100	DPC-600	34 fl. oz./1000 ml Disposable cup/lid (32)
802972	DPC-607	9 fl. oz./265 ml Reusable sleeve/lid (2)
802759	DPC-606	24 fl. oz./710 ml Reusable sleeve/lid (2)
802973	DPC-608	34 fl. oz./1000 ml Reusable sleeve/lid (2)
803474	DPC-524	24 fl. oz./ 34 fl. oz. Disposable lid (32)
803889	DPC-509	9 fl. oz./265 ml Disposable lid (32)



DeKUPS®
by DeVilbiss

**DeKups®
ADAPTERS**

802200 / DPC-43

Adapter
(DeVilbiss, GPG, ProLite, FLG, DV1, TEKNA, CVi, PLUS, GTi, PRi, JGA, Binks M1G, Sharpe Cobalt, Platinum & Titanium)



802201 / DPC-26

Adapter
(Accuspray Issac)



803856 / DPC-85

Adapter
(Accuspray Disposable Head Spray Gun)



802203 / DPC-10

Adapter
(SATA® NR 2000, RP, KLC, MCB & Jet 90 series.)



802204 / DPC-11

Adapter
(SATA® NR95 & 92, Iwata LPH-400 & W400LV, Astro GF14, 17 & 20S, Finex FX 200 & FX 300)



802205 / DPC-13

Adapter
(Sagola)



802206 / DPC-23

Adapter
(DeVilbiss DV1S, ProLiteS, SRi, SRiW, SRiPro, Binks Cub)



802340 / DPC-500

Conversion Adapter



802955 / DPC-64

Adapter
(StartingLine touch-up gun)



803120 / DPC-69-K1

Suction Conversion Kit



803850 / DPC-504

Adapter
(SATA® QCC full size)



803314 / DPC-78

Adapter
(Iwata SuperNova AirGuns, LPN300, W300)



803420 / DPC-81

Adapter
(StartingLine full-size gun, Sharpe Finex 1000, 2000, 3000)



803238 / DPC-502

Adapter Kit
(SATA® Minis, QCC & threaded)



804473 / DPC-86-K1

Adapter Kit
(Iwata LPH80)



U.S. PATENT NOS. 7,380,680; 7,354,074; 7,353,964; 7,350,418; 7,344,040; 7,263,893; 7,165,732; 7,086,549

DeKups® KITS

DEKUPS® by Devilbiss

DeKups® DEMO KIT

Order No. **803130** Model No. **DPC-654**

Demo Kit

DPC-43 Adapter (1), 24 oz. Reusable Sleeve & Lid (1), 24 oz. Disposable Cups & Lids (8), Plugs (5), Disk Filter 125 Micron (4), Disk Filter 200 Micron (4), Barrel Filter 300 Micron (1), Funnel (1), Measuring Guide (1), How-to-Use Guide



DEKUPS® by Devilbiss

DeKups® SHOP START UP KIT

Get Started with DeKups Today!

- Anti-static disposables
- Contains the perfect amount for several jobs
- Better fluid flow for greater color match
- Positive locking gun connection
- Anti-static cups for improved metallic distribution
- Larger capacity cups

Order No. **802371** Model No. **DPC-650**

Shop Start Up Kit

24 oz. Reusable Sleeve & Lid (6), 9 oz. Reusable Sleeve & Lid (2), 24 oz. Disposable Cups & Lids (32), 9 oz. Disposable Cups & Lids (32), 24/34 oz. Disk Filter 125 Micron (12), 9 oz. Disk Filter 125 Micron (12), 24/34 oz. Disk Filter 200 Micron (12), 9 oz. Disk Filter 200 Micron (12), Barrel Filter 300 Micron (10), Funnel (24), 3 oz. Disposable Cups (3), Cleaning Brush, Cleaning Bottle, Magnets (5), How-to-Use Guide, Plugs (20)



DEKUPS® by Devilbiss

DeKups® ALL-IN-ONE KIT

All-In-One Kit

2 Boxes of Lids (64), 2 Boxes of Liners (64), 3 Sleeves of Filters in 125 or 200 Microns (72), 2 Packs of Storage Plugs (20), Reusable Sleeve & Lid (1), Measuring Guide (1)

Package Part Number	Linear Size Oz.	Linear Qty (64)	Lid Qty (64)	1 Reusable Sleeve/Lid	Disk Filters Size/Qty (72)	Storage Plugs (20)	Qty Per Pallet
DPC-34-125-K64	34 Oz.	2 Boxes of (32)	2 Boxes of (32)	1	125 Micron - 3 Packs of 24	2 Packs of 10	18 Kits
DPC-34-200-K64	34 Oz.	2 Boxes of (32)	2 Boxes of (32)	1	200 Micron - 3 Packs of 24	2 Packs of 10	18 Kits
DPC-24-125-K64	24 Oz.	2 Boxes of (32)	2 Boxes of (32)	1	125 Micron - 3 Packs of 24	2 Packs of 10	18 Kits
DPC-24-200-K64	24 Oz.	2 Boxes of (32)	2 Boxes of (32)	1	200 Micron - 3 Packs of 24	2 Packs of 10	18 Kits
DPC-09-125-K64	9 Oz.	2 Boxes of (32)	2 Boxes of (32)	1	125 Micron - 3 Packs of 24	2 Packs of 10	30 Kits
DPC-09-200-K64	9 Oz.	2 Boxes of (32)	2 Boxes of (32)	1	200 Micron 0 3 Packs of 24	2 Packs of 10	30 Kits

DeKups®

HOW TO USE THE SYSTEM

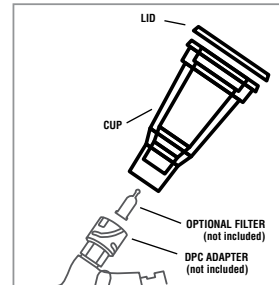
DeKUPS®

by DeVilbiss

3 oz. DISPOSABLE CUP

- Simple and affordable solution for spot repair and spraying at mobile repair locations
- Vented cup design provides consistent fluid flow for better color match and a better quality finish
- Easy and secure fit over DeKups® adapters

Order No. Model No.
803510 DPC-503-K24
 (Kit of 24 cups & lids)



**Fits ALL
DeKups
Adapters**

DeKUPS®

by DeVilbiss

DeKups® ACCESSORIES

802976 / DPC-42-K24
 24 oz./34 oz. Disk filter
 (125 micron) (24)
 White frame/White mesh



802977 / DPC-65-K24
 9 oz. Disk filter
 (125 micron) (24)
 White frame/White mesh



802950 / DPC-59-K10
 24 oz. Universal measuring guide (10)
802951 / DPC-60-K10
 9 oz. Universal measuring guide (10)
802952 / DPC-61-K10
 34 oz. Universal measuring guide (10)



**802978
DPC-66-K24**
 24 oz./34 oz. Disk filter
 (200 micron) (24)
 Black frame/ White mesh



**802979
DPC-67-K24**
 9 oz. Disk filter
 (200 micron) (24)
 Black frame/White mesh



**802106
DPC-14-K10**
 Coarse filter
 (600 micron)
 Thick paint (10)



**802107
DPC-17-K10**
 Fine filter
 (300 micron)
 Colors/clears (10)



**802108
DPC-27-K10**
 Very fine filter
 (200 micron)
 Pearls (10)



802334 / BXX-1279
 Filters & plugs storage case



192316 / DPC-8
 Cleaning bottle



802212 / DPC-44
 Cleaning brush



802109 / DPC-22-K24
 Disposable
 funnel (24)



802213 / DPC-6-K10
 Storage plugs (10)

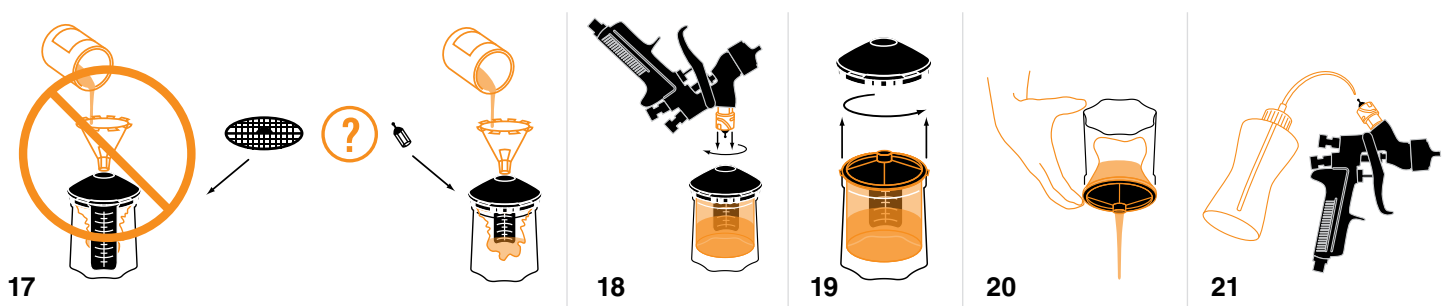
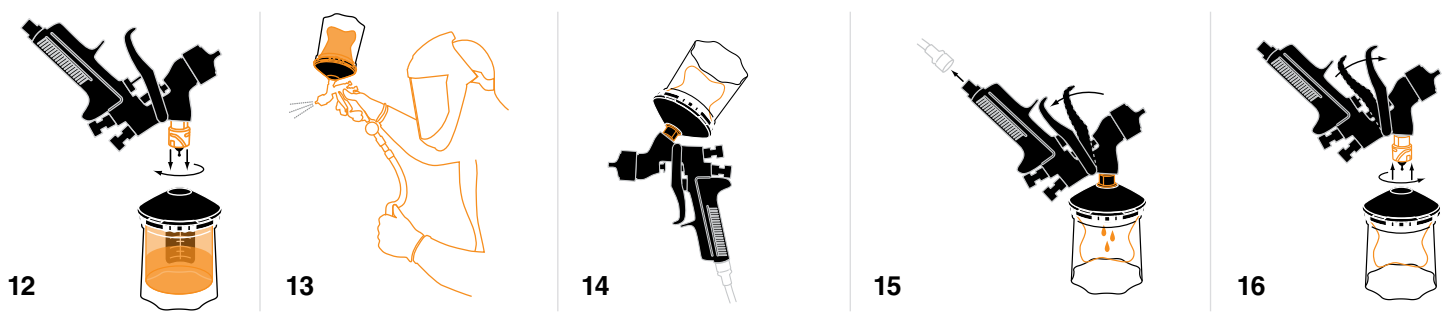
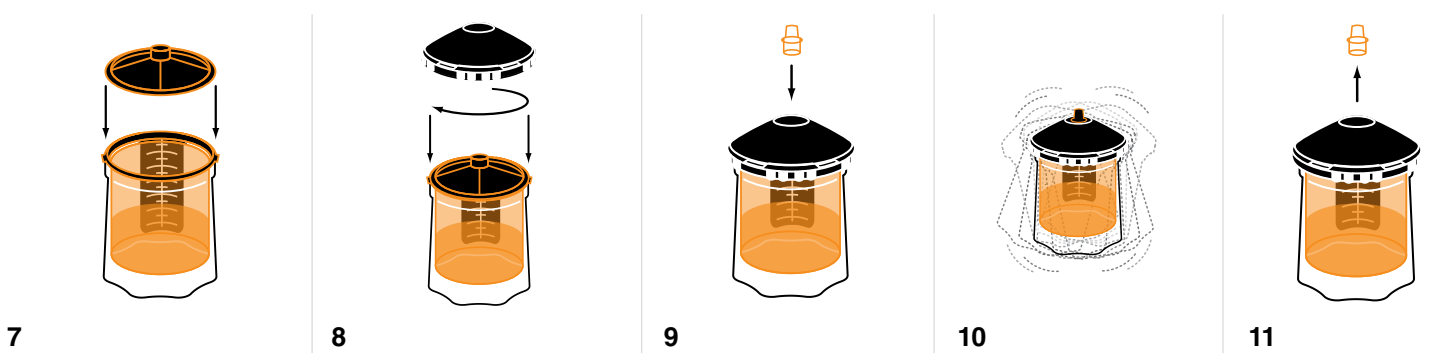
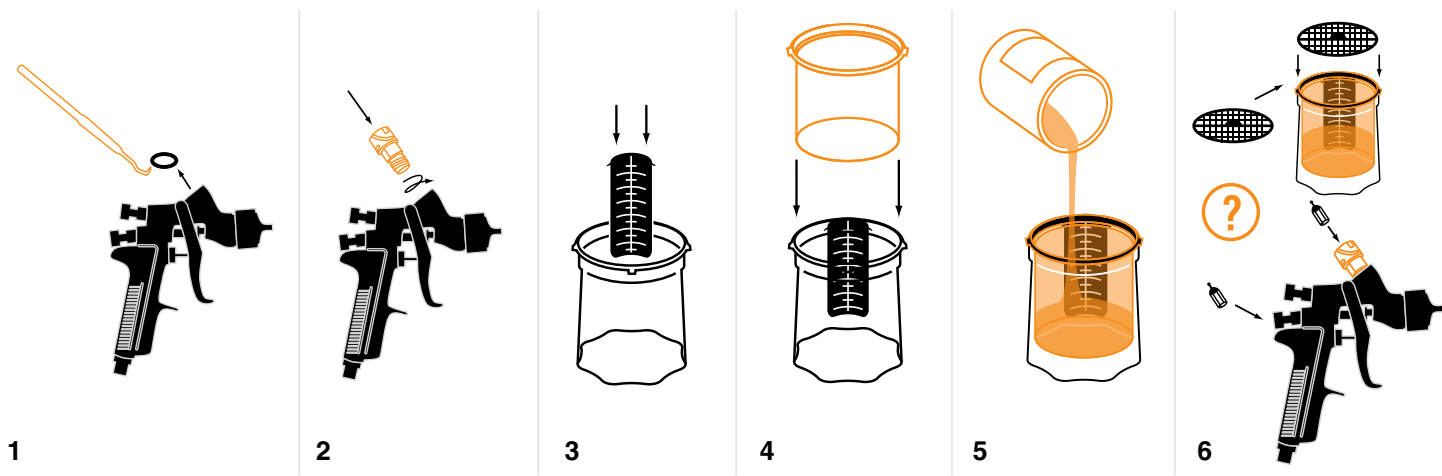


802185 / DPC-5001
 Magnet Assembly



DeKups®

HOW TO USE THE SYSTEM





Gravity Airbrush (.35mm)

Excellent Control

- Hairline detail to high paint-flow shading and gradual fades
- Smooth double action trigger
- Pre-set handle for precise control of paint flow

Durable

- Solvent proof fluid passages
- Copper, nickel and chrome plated body

Value

- Crown cap standard for fine lines and needle protection
- Collector storage tin included
- Larger capacity cups



Order No.	Model No.	Description
802609	DGR-501G-35	DAGR® Gravity Airbrush
803125	DGR-603	DAGR® Studio (Gravity Airbrush, 2 ½ oz. Cups & 10 ft. Braided Hose)



AirBlade® Compressors

Order No.	Model No.	Description
803286	DGR-518-1	AirBlade® Compressor w/Regulator (1/8 hp) .07 CFM, up to 30 PSI, 120V
803285	DGR-604G-35	Gravity DAGR®, AirBlade® Compressor w/Regulator (1/8 hp), Hose
803287	DGR-140	Regulator w/Filter, Moisture Trap, Hanger

AirBlade® Compressors Include:

- Regulator
- Water trap filter
- Airbrush holder



DAGR® Studio DGR-603



Everything the Automotive Artist needs to get started!

- DAGR airbrush with ½ oz. cup
- ½ fl. oz. (14cc) cup and lid – ideal for spraying larger areas without refilling
- 10 ft. braided nylon air hose

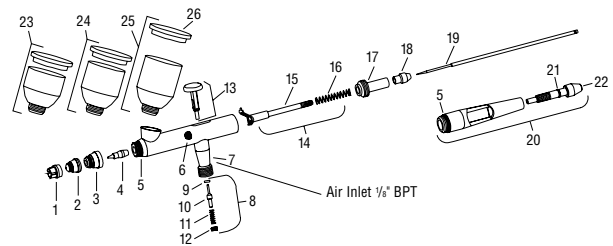
Refer to Service Bulletin: SB-2-055

Specifications

Operating Pressures	20 to 50 psi
Maximum Inlet Pressure	175 psi
Airbrush Plating	Nickel, copper, chrome
Needle Packing	PTFE (solvent-proof)

● DAGR Repair Kit 802635 (DGR-121K)

Ref. No.	Description	Qty.
5	O-ring (head cap & handle)	3
9	Air valve washer	2
17	Needle spring	1
22	O-ring (pre-set needle knob)	1



Ref. No.	Order No.	Model No.	Description	Ind. Parts Req.	Ref. No.	Order No.	Model No.	Description	Ind. Parts Req.	Ref. No.	Order No.	Model No.	Description	Ind. Parts Req.
1	802613	DGR-101	Crown cap	1	13	803645	DGR-323	Trigger assembly	1	24	802632	DGR-118	1/3 oz.(9 cc) cup and lid (standard)	1
2	802615	DGR-103-35	Air cap (for .35mm nozzle)	1	14	802623	DGR-110K	Needle guide, rocker, & spring	1	25	802633	DGR-119	1/2 oz.(14 cc) cup and lid	1
3	802616	DGR-104	Head cap	1	15	—	—	Needle guide and rocker	1	26	—	—	Cup lid	1
4	802618	DGR-105-35	Nozzle (.35mm)	1	●16	—	—	Needle spring	1	802975	DGR-18-K5	O-Ring Kit	1	
●5	—	—	O-ring (head cap & handle)	1	17	802624	DGR-111	Spring guide	1					
6	802619	DGR-106K	Packing and nut assembly (PTFE)	1	18	802625	DGR-112	Needle locknut	1					
7	802620	DGR-107	Air valve casing	1	19	802627	DGR-113-35	Needle (for .35mm nozzle)	1					
8	803664	DGR-308K	Air valve kit	1	20	802628	DGR-114	Cutaway handle w/pre-set	1					
●9	—	—	Air valve washer	1	●21	—	—	O-ring (pre-set needle knob)	1					
10	—	—	Air valve plunger	1	22	—	—	Pre-set needle knob	1					
11	—	—	Air valve spring	1	23	802631	DGR-117	1/4 oz.(7 cc) cup and lid	1					
12	—	—	Air valve nut	1										

DAD-PRO™ DESICCANT AIR DRYING SYSTEM



Worry free air filtration for top-quality paint jobs

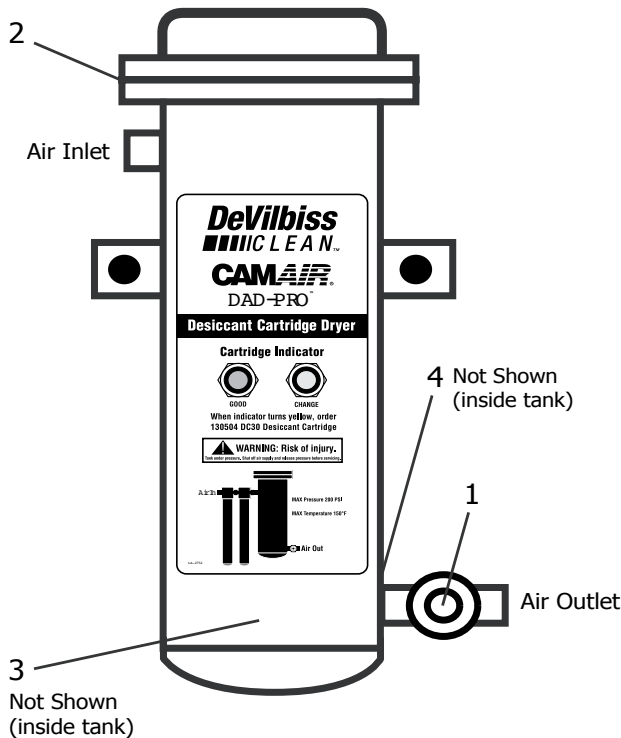
- First stage filter removes oil, water and dirt down to 5 microns.
- Second stage coalescer removes oil vapors and dirt particles down to .01 microns.
- Desiccant tank removes water vapor and humidity down to a dew point of -40° F.
- Bagged desiccant and automatic drains for ease of maintenance.

Order No.	Description
130546	DAD-PRO Desiccant Air Drying System
130504	Replacement Desiccant Cartridge
130536	50 scfm 2-stage Filter Assy with Regulator
130538	Replacement Water Separator Element
130539	Replacement Oil Coalescing Element
130544	Filter Mounting Bracket
130545	Float Drain Kit



Replaceable Desiccant Cartridge for Easy Maintenance

Refer to Service Bulletin: SB-6-234



Ref No.	Replacement Part No.	Description	Individual Parts Req.
1	130505	Humidity Indicator (1 Humidity Indicator Paper Included)	1
2	130510	Gasket	1
3	130504	Desiccant Cartridge (Not Shown)	1
4		Tank Grommet (Included with 130504)	1

CT Plus™ 5-STAGE FILTER SYSTEM



Complete compressed air treatment and drying center

Worry free air filtration for top quality paint jobs

- First stage filter removes oil, water and dirt down to 40 micron
- Second stage coalescer removes oil vapors and dirt particles down to .01 micron
- CT30 desiccant tank repeats dirt and oil aerosol removal and removes humidity



Order No.	Description
130522	CT Plus 5-stage desiccant filter system
130517	Filter element, water (1st stage)
130518	Filter element, coalescing (2nd stage)
130504	DC30 desiccant cartridge

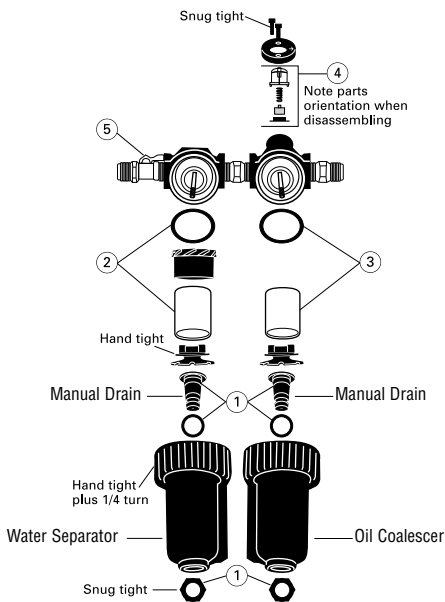
30 CFM air flow capacity

- Longer desiccant life
- Air inlet valve shuts off CT Plus™ air without having to shut off shop air
- No tools needed to change first and second stage filters
- Easy change-out desiccant cartridge bag

Ergonomic, self-relieving regulator



Refer to Service Bulletins and Instructions: SB-6-182, SI-6-18-8, SI-6-18-10

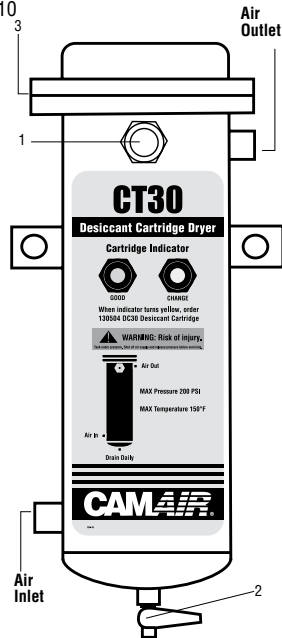


2-Stage Filter Set Parts

Ref. No.	Part No.	Description	Ind. Parts Req.
1	130519	Drain Kit (1 set)	1
2	130517	Filter Element, Water	1
3	130518	Filter Element, Coalescing	1
4	130520	Indicator Kit, Coalescing	1
5	VA-595	Shut-off Valve	1

2-STAGE FILTER SPECIFICATIONS

Air Flow	65 SCFM @ 90 PSIG
Max. Pressure	150 PSIG
Max. Temperature	150°F



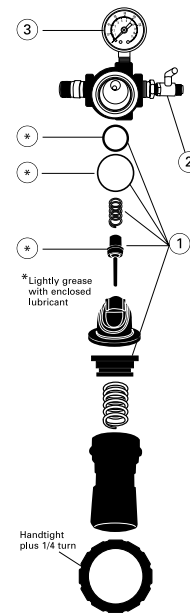
CT30 Parts

Ref. No.	Order No.	Description	Ind. Parts Req.
1	130505	Humidity Indicator (1 Humidity Indicator Paper included)	1
2	130511	Drain (Manual)	1
3	130510	Gasket	1
*4	130504	Desiccant Cartridge (not shown)	1

* Material Safety Data Sheet (MSDS-52) available upon request.

CT30 SPECIFICATIONS

Air Inlet	1/2" NPT (Female)
Air Outlet	1/2" NPT (Female)
Air Flow Capacity	30 CFM
Max. Operating Pressure	200 PSIG (14 Bar)
Max. Temperature	150°F (65.6°C)
Humidity Indicator	Green: OK Yellow: Replace Desiccant
Water Vapor Removal	-40°F Dew point
Particulate Removal	0.1 micron
Manual Drain	Included



Regulator Parts

Ref. No.	Part No.	Description	Ind. Parts Req.
1	130521	Regulator Kit	1
2	VA-594	Shut-off Valve	1
3	GA-288	Gauge	1

REGULATOR SPECIFICATIONS

Air Flow	65 SCFM @ 100 PSIG
Max. Inlet Pressure	250 PSIG
Regulated Pressure Range	2-125 PSIG
Max. Temperature	175°F

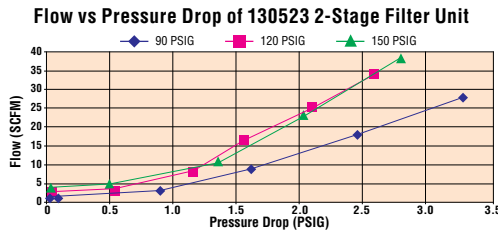
CamAir Filter Systems



Air Filtration/Regulation Systems

- Compact and effective—perfect for cramped shop spaces
- Removes dirt, water and oil from air lines to 0.01 micron—assures superior finishes
- Quick change bowls and air inlet valve accommodate rapid, trouble free maintenance without shutting off main shop air
- Combine 2-stage filter with the CT-30 desiccant dryer to create a CT Plus 5-stage filter system
- 65 SCFM @ 90 PSIG

Order No.	Description
130523	2-stage filter unit with regulator

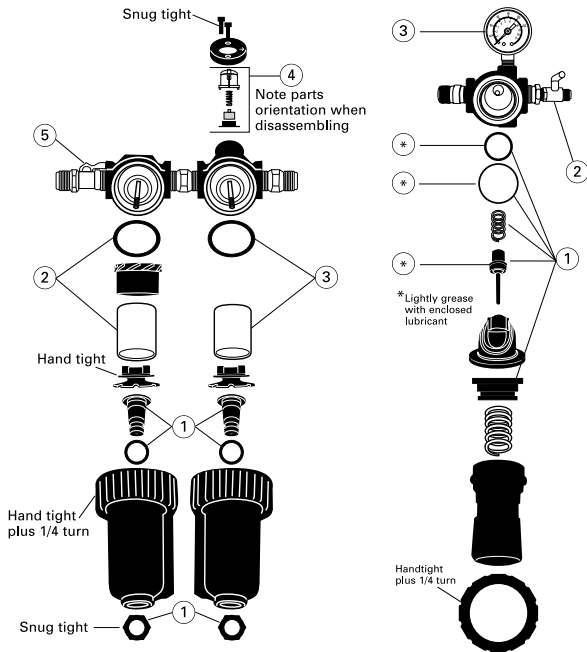


130523
2-Stage w/Regulator



Refer to Service Bulletins and Instructions: SB-6-182, SI-6-18-8, SI-6-18-10

130523 2-Stage w/Regulator



2-Stage Filter Set Parts

Ref. No.	Part No.	Description	Ind. Parts Req.
1	130519	Drain Kit (1 set)	1
2	130517	Filter Element, Water	1
3	130518	Filter Element, Coalescing	1
4	130520	Indicator Kit, Coalescing	1
5	VA-595	Shut-off Valve	1

2-STAGE FILTER SPECIFICATIONS

Air Flow 65 SCFM @ 90 PSIG
Max. Pressure 150 PSIG
Max. Temperature 150°F

REGULATOR SPECIFICATIONS

Air Flow 65 SCFM @ 100 PSIG
Max. Inlet Pressure 250 PSIG
Regulated Pressure Range 2–125 PSIG
Max. Temperature 175°F

2-Stage Regulator Parts

Ref. No.	Part No.	Description	Ind. Parts Req.
1	130521	Regulator Kit	1
2	VA-594	Shut-off Valve	1
3	GA-288	Gauge	1

CT30 & CT30P DESICCANT CARTRIDGE DRYERS



Easy Change Desiccant Air Dryer

- CT series desiccant air dryers remove water vapor from the compressed air down to a dew point of -40° F
- Quick change 10 lb. desiccant cartridge bag is made of a special fiber media which removes oil aerosols and solid particles down to 0.1 micron meaning no need for coalescing or final filters
- Install at point of use
- 30 CFM air flow capacity

Order No.	Description
130500	Desiccant Air Dryer wall mount
130501	Desiccant Air Dryer portable with stand
130504	Desiccant Cartridge



Automatic Drain with Y-Strainer Valve

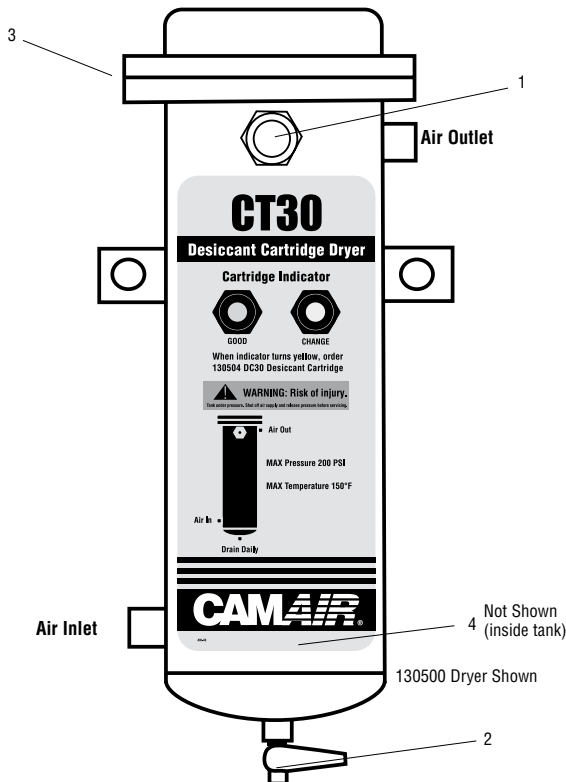


Automatically Drains Water from Compressed Air Systems

- Use with air compressors, water separators and at drop legs — See properly piped shop diagram for install locations (pg. 45)
- Adjustable interval time and drain time
- Adjustable interval time and drain time
- Adjustable interval time and drain time
- Removable filter for easy cleaning
- Includes electric timer, ¼" Y-strainer valve with filter screen and 6 ft. power cord

Order No.	Description
130512	Automatic drain with Y-strainer valve

Completely portable – Allows placement at point of use



Refer to Service Bulletin: SB-6-182

Ref. No.	Order No.	Description	Ind. Parts Req.
1	130505	Humidity Indicator (1 Humidity Indicator Paper included)	1
2	130511	Drain (Manual)	1
3	130510	Gasket	1
*4	130504	Desiccant Cartridge (not shown)	1

*The Material Safety Data Sheet (MSDS-52) is available upon request.

SPECIFICATIONS

Air Inlet	½" NPT (Female)
Air Outlet	½" NPT (Female)
Air Flow Capacity	30 CFM
Maximum Operating Pressure	200 PSIG (14 Bar)
Maximum Temperature	150°F (65.6°C)
Humidity Indicator	Green: OK Yellow: Replace Desiccant
Water Vapor Removal	-40°F Dew point
Partical Removal	0.1 micron
Manual Drain	Included

DAD-500™ DESICCANT AIR DRYER SYSTEM

Avoid Costly Redo's

- Properly maintained air filtration system eliminates moisture and dirt in air lines
- Install at point of use



Order No.	Model No.	Description
130026	DAD-500	3-stage desiccant air dryer system

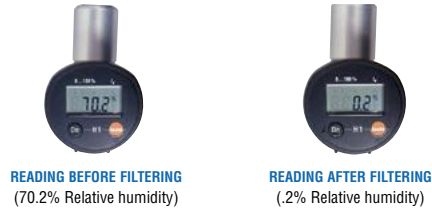


Compare DeVilbiss filtered air vs. unfiltered air

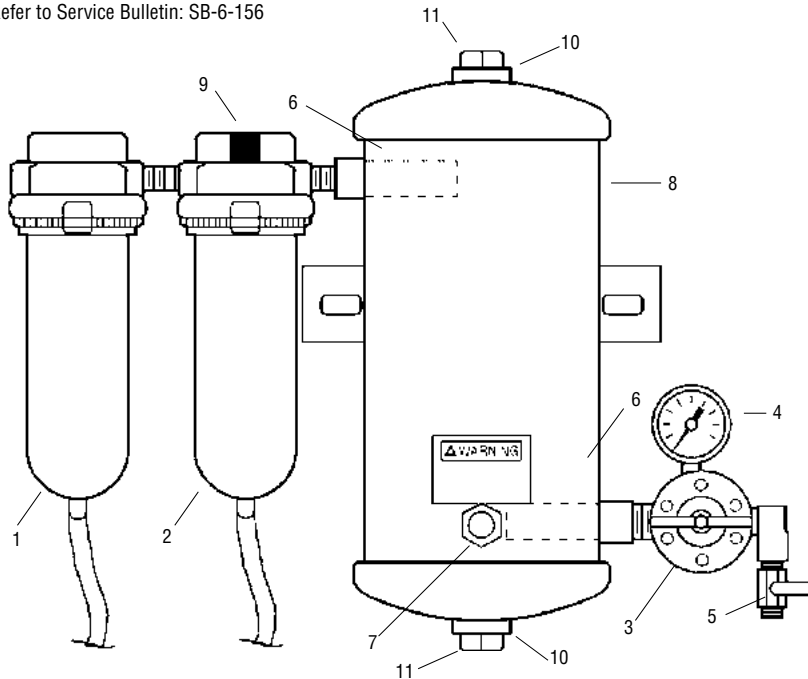
DeVilbiss' DAD-500 filters out contaminants to .01 micron



Compare the humidity reading before and after filtering with DeVilbiss DAD-500



Refer to Service Bulletin: SB-6-156



Ref. Order No.	Model No.	Description	Ind. Parts Req.
1	130041	Water Separator Filter	1
2	130027	HAF-505 Oil Coalescing Filter	1
3	130059	HAR-507 Air Regulator	1
4	190564	GA-288 Gauge	1
5	240039	VA-542 Ball Valve	1
6	190953	DAD-8 Air Filter (inside of tank)	2
7	190895	DAD-400 Humidity Indicator (paper included)	1
8	190877	Desiccant Tank (without desiccant) (incl. #6)	1
9	190883	HAF-404 Filter Change Indicator	1
+	190831	DAD-1 Desiccant Refill	1
+	190727	HAF-6 Filter (see Key Maintenance Items chart)	1
+	190845	HAF-28 Filter (see Key Maintenance Items chart)	1
10	802153	SSG-8217-K2 O Ring Kit	1
11	802154	PT-96 Pipe Plug special 1-1/2 NPT	2
12	801288	VA-595 Brass Shut Off Valve (not shown)	1

+ Key Maintenance Items (Replace periodically for efficient performance)

Order No.	Model No.	Description
190831	DAD-1	Desiccant Refill
190727	HAF-6	First stage water separator filter element (5 micron)
190845	HAF-28	Second stage coalescing filter element (.01 micron)

SPECIFICATIONS:

13-0041 (HAF-502) Water Separator Filter
 Air Inlet & Air Outlet 1/2" NPT(F)
 Air Flow Capacity 100 CFM
 Max. Operating Pressure 150 PSIG (10.3 Bar)
 Max. Temp. 150°F (65.6°C)
 Automatic Drain Standard
 Filter 5 micron

HAF-505 Oil Coalescing Filter
 Air Inlet & Air Outlet 1/2" NPT(F)
 Air Flow Capacity 55 CFM
 Max. Operating Pressure 150 PSIG (10.3 Bar)
 Max. Temperature 150°F (65.6°C)
 Automatic Mechanical Drain Standard
 Pressure Differential Indicator Standard
 Filter 0.01 micron

Desiccant Dryer
 Air Inlet & Air Outlet 1/2" NPT(F)
 Air Flow Capacity 25 CFM
 Max. Operating Pressure 150 PSIG (10.3 Bar)
 Max. Temperature 150°F (65.6°C)
 Humidity Indicator Standard
 Water Vapor Removal -40°F Dew Point

HAR-507 Air Regulator
 Air Inlet 3/8" NPT(F)
 Air Outlet 1/4" NPT(F) (3 each)
 Air Flow 60 CFM
 Max. Operating Pressure 150 PSIG (10.3 Bar)
 Max. Temperature 120°F (48.9°C)

VA-595 Main Air Supply Shut Off Valve (not shown)
 Air Inlet & Air Outlet 1/2" NPT(M)
 Max. Operating Pressure 175 PSIG (12.0 Bar)

Shipping Weight DAD-500: 35 lbs

Dimensions DAD-500: 22" x 17" x 18"

• Tune-Up Kit 130030 (DAD-600)

Model No.	Description	Qty.
DAD-1	Desiccant Refill	1
HAF-6	Filter Element for 13-0041	1

• Tune-Up Kit 802182 (DAD-600-1)

Model No.	Description	Qty.
DAD-1	Desiccant Refill	1
HAF-6	Filter Element for 13-0041	1
HAF-28	Filter Element for HAF-505	1

CAMAIR QC3 FILTER AND DRYER UNIT



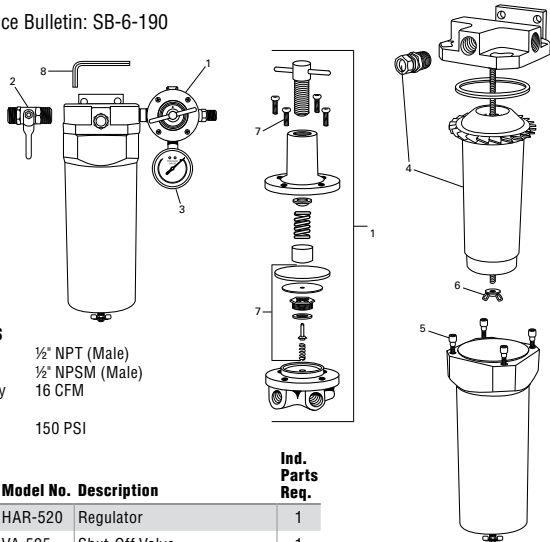
A Great Choice for Light Usage such as Low Volume Shops, Restorers, Customizers, and Hobbyists

- Three-stage filtering with 0.1 micron rating produces clean, oil- and humidity-free air.
- High performance filtration with only 2 PSI pressure drop.
- Quick change filter cartridge is easy to maintain. Bowl removal tool included.
- Larger filter media and longer life desiccant than disposable dryers
- Install at point of use

Order No.	Description
130525	Desiccant Filter and Dryer Unit
130524	QC3 Filter and Desiccant Cartridge Replacement



Refer to Service Bulletin: SB-6-190



SPECIFICATIONS

Air Inlet	1/2" NPT (Male)
Air Outlet	1/2" NPSM (Male)
Air Flow Capacity	16 CFM
Max. Operating Pressure	150 PSI

Ref. No.	Order No.	Model No.	Description	Ind. Parts Req.
1	130100	HAR-520	Regulator	1
2	802188	VA-595	Shut-Off Valve	1
3	192314	GA-375	Pressure Gauge	1
4	130524	130524	Cartridge, Dryer Filter*	1
5	Purchase Locally		Socket Head Screw, 1/4-20 @ 3/4	4
6	Purchase Locally		Wingnut, 1/4-20	1
7	802112	KK-5088	Regulator Repair Kit	1
8	Purchase Locally		5mm Hex Key Wrench	1

*Cartridge includes indicator window & humidity paper

FinishLine® AIR CONTROL UNIT



Includes:

- 5 micron particle filter
- Mounting bracket
- Regulator and gauge

The Value Leader

- Removes moisture and dirt
- Regulates air pressure

ACCESSORIES

192314 / GA-375
Gauge for HAR-520 regulator



192315 / HAF-39
HAR-602 Element Kit



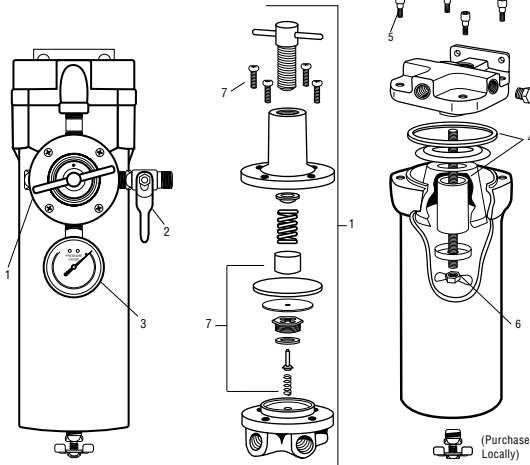
130100 / HAR-520
50 CFM regulator for HAR-602



Order No.	Model No.	Description
130099	HAR-602	120 CFM air line filter w/ 50 CFM regulator
192315	HAF-39	120 CFM Filter element and gasket kit
803643	HAR-680	80 CFM air control unit with 50 CFM regulator
803641	HAF-47	80 CFM Filter element and gasket kit



Refer to Service Bulletin: SB-6-180



Ref. No.	Order No.	Model No.	Description	Ind. Parts Req.
1	130100	HAR-520	Regulator	1
2	240160	VA-594	Shut-Off Valve	1
3	192314	GA-375	Pressure Gauge	1
4	192315	HAF-39	Element & Gasket Kit	1
5	Purchase Locally		Socket Head Screw, 1/4-20 x 3/4	4
6	Purchase Locally		Wingnut, 1/4-20	1
7	802112	KK-5088	Regulator Kit	1

SPECIFICATIONS

Air Inlet	1/2" NPT (female)
Air Outlet	1/4" NPS (male)
Air Capacity	120 CFM filter 50 CFM regulator
Max. Pressure	150 PSI
Max. Temperature	150°F (65.6°C)
Filter Size	5 micron

Clean Air™

AIR LINE FILTERS AND CONTROL UNITS

Air Filtration and Regulation Systems Remove Dirt, Oil Vapor, and Water from Air Lines

HAF-518 Quick Facts:


- 1st Stage 5 micron filter
- 2nd Stage .01 micron filter
- Easier maintenance comes with manual flexible drain




Order No.	Model No.	Description
130098	HAF-518	Two-stage filtration system, including centrifugal and coalescer w/ 60 CFM regulator
130041	13-0041	100 CFM air line filter
130042	13-0042	100 CFM air line filter w/ 60 CFM regulator

ACCESSORIES

130093 / HAR-600
60 CFM regulator w/gauge



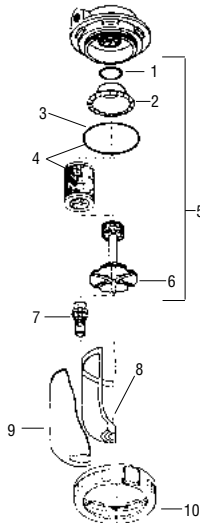
190771 / HAF-18
Automatic drain





Refer to Service Bulletins: SB-6-140, SB-6-147, SB-6-152

130041 (13-0041) 100 CFM Air Line Filter

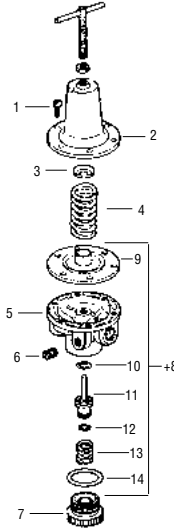


Ref. No.	Order No.	Model No.	Description	Ind. Parts Req.
*1	—	—	Gasket	1
*2	—	—	Baffle	1
●3	—	—	Bowl O-Ring (comes w/#4)	1
4	190727	HAF-6	Filter & O-ring Kit	1
5	190856	HAF-26	Baffle Kit (includes 1,2,& 6)	1
*6	—	—	Element Retainer	1
7	190766	HAF-11	Manual Flexible Drain	1
8	190763	HAF-8	Transparent Plastic Bowl	1
9	191417	HAF-19	Bowl Guard	1
10	190869	HAF-409	Clamp Ring Assembly	1

Optional Accessories

Order No.	Model No.	Description
190564	GA-288	Gauge, 160# – 2" Diameter
190771	HAF-18	Automatic Drain allows maintenance-free drainage
240039	VA-542	Ball Valve
190851	HAF-407	Bracket Assembly for 13-0041 and 13-0042

130059 (HAR-507) 60 CFM Air Regulator

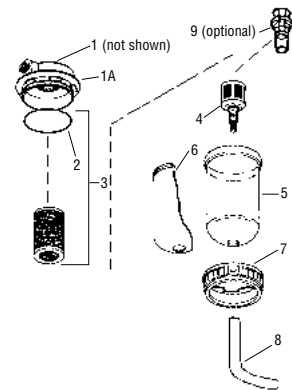


Ref. No.	Order No.	Model No.	Description	Ind. Parts Req.
1	—	—	#10-32x9/16 Fillister Hd. Screw	6
2	191429	HAR-14	Cover	1
3	—	—	Spring Button	1
4	—	—	Diaphragm Spring	1
5	—	—	Body	1
6	—	—	Pipe Plug 1/4" NPT(M)	1
7	—	—	Bottom Plug	1
+8	191554	KK-4977	Repair Kit (Does NOT incl. #5 & #6) (See contents below)	1

+ Regulator Repair Kit 191554 (KK-4977)

Ref. No.	Description	Qty.
9	Diaphragm Assembly	1
10	O-Ring	1
11	Valve	1
12	O-Ring	1
13	Spring	1
14	O-Ring	1

130027 (HAF-505) 55 CFM Coalescing Filter



Ref. No.	Order No.	Model No.	Description	Ind. Parts Req.
1	190883	HAF-404	Filter Change Indicator	1
1A	—	—	Cover	1
2	—	—	O-Ring (comes w/#3)	1
3	190845	HAF-28	Filter & O-Ring Kit	1
4	190771	HAF-18	Automatic Drain (Standard)	1
5	190763	HAF-8	Plastic Bowl	1
6	191417	HAF-19	Metal Bowl Guard	1
7	190869	HAF-409	Clamp Ring	1
8	—	—	1/2 x 3/8 Vinyl Tubing—6 ft.	1
9	190766	HAF-11	Manual Drain (Optional)	1

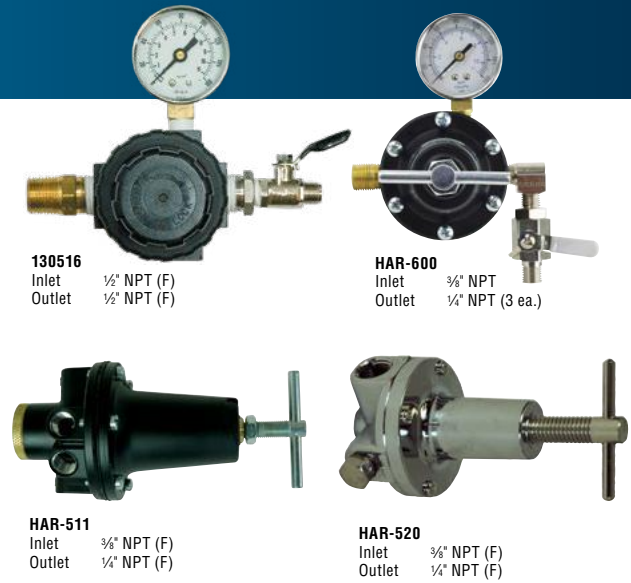
NOTE

The regulator on CleanAir Units manufactured prior to 9/97 was 13-0045 (HAR-506). HAR-600 includes HAR-507 Regulator, GA-288 Gauge and VA-542 Ball Valve.

Air Regulators

For Precise Control of Air Delivery

Order No.	Model No.	Description
130516	130516	75 CFM air regulator, gauge and valve (regulator available separately as 130521)
130093	HAR-600	60 CFM air regulator, gauge and valve (regulator available separately as HAR-507)
192242	HAR-511	60 CFM air regulator — Flow through regulator for pressure tanks
130100	HAR-520	50 CFM air regulator - non-relieving (purchase GA-375 gauge separately)



Refer to Service Bulletins SI-6-18-10 and SB-6-147 and Part Sheet 77-2781

130516

Ref. No.	Model No.	Description	Ind. Parts Req.
1	130521	Regulator Kit	1
2	VA-594	Shut-off Valve	1
3	GA-288	Gauge	1

* Lightly grease with enclosed lubricant

Handtight plus 1/4 turn

130100 (HAR-520)

Ref. No.	Model No.	Description	Ind. Parts Req.
1	HAR-520	Regulator Kit	1
7	KK-5088	Repair Kit	1

192242 (HAR-511)

Ref. No.	Model No.	Description	Ind. Parts Req.
1	—	#10-32x9/16 Fillister Hd. Screw	6
2	HAR-14	Cover	1
3	—	Spring Button	1
4	—	Diaphragm Spring	1
5	—	Body	1
6	—	Pipe Plug 1/4" NPT(M)	1
7	—	Bottom Plug	1
●8	—	Diaphragm Assy.	1
●9	—	O-Ring	1
●10	—	Valve	1
●11	—	O-Ring	1
●12	—	Spring	1
●13	—	O-Ring	1

130093 (HAR-600)

Ref. No.	Model No.	Description	Ind. Parts Req.
1	HAR-507*	Regulator	1
2	GA-288	Gauge	1
3	—	1/4" NPT Street Elbow	1
4	VA-542	Ball Valve	1
5	—	1.4" NPT Plug	1

Air Inlet 3/8" NPT

1/4" NPT Outlet

1/4" NPT Outlet

***HAR-507 Regulator**

Ref. No.	Model No.	Description	Ind. Parts Req.
1	—	#10-32x9/16 Fillister Hd. Screw	6
2	HAR-14	Cover	1
3	—	Spring Button	1
4	—	Diaphragm Spring	1
5	—	Body	1
6	—	Pipe Plug 1/4" NPT(M)	1
7	KK-4977	Repair Kit (incl. # 8-13)	1
8	—	Diaphragm Assy	1
9	—	O-Ring	1
10	—	Valve	1
11	—	O-Ring	1
12	—	Spring	1
13	—	O-Ring	1
14	—	Bottom Plug	1

Ref. No.	Model No.	Description	Ind. Parts Req.
1	—	#10-32x9/16 Fillister Hd. Screw	6
2	HAR-14	Cover	1
3	—	Spring Button	1
4	—	Diaphragm Spring	1
5	—	Body	1
6	—	Pipe Plug 1/4" NPT(M)	1
7	—	Bottom Plug	1
●8	—	Diaphragm Assy.	1
●9	—	O-Ring	1
●10	—	Valve	1
●11	—	O-Ring	1
●12	—	Spring	1
●13	—	O-Ring	1

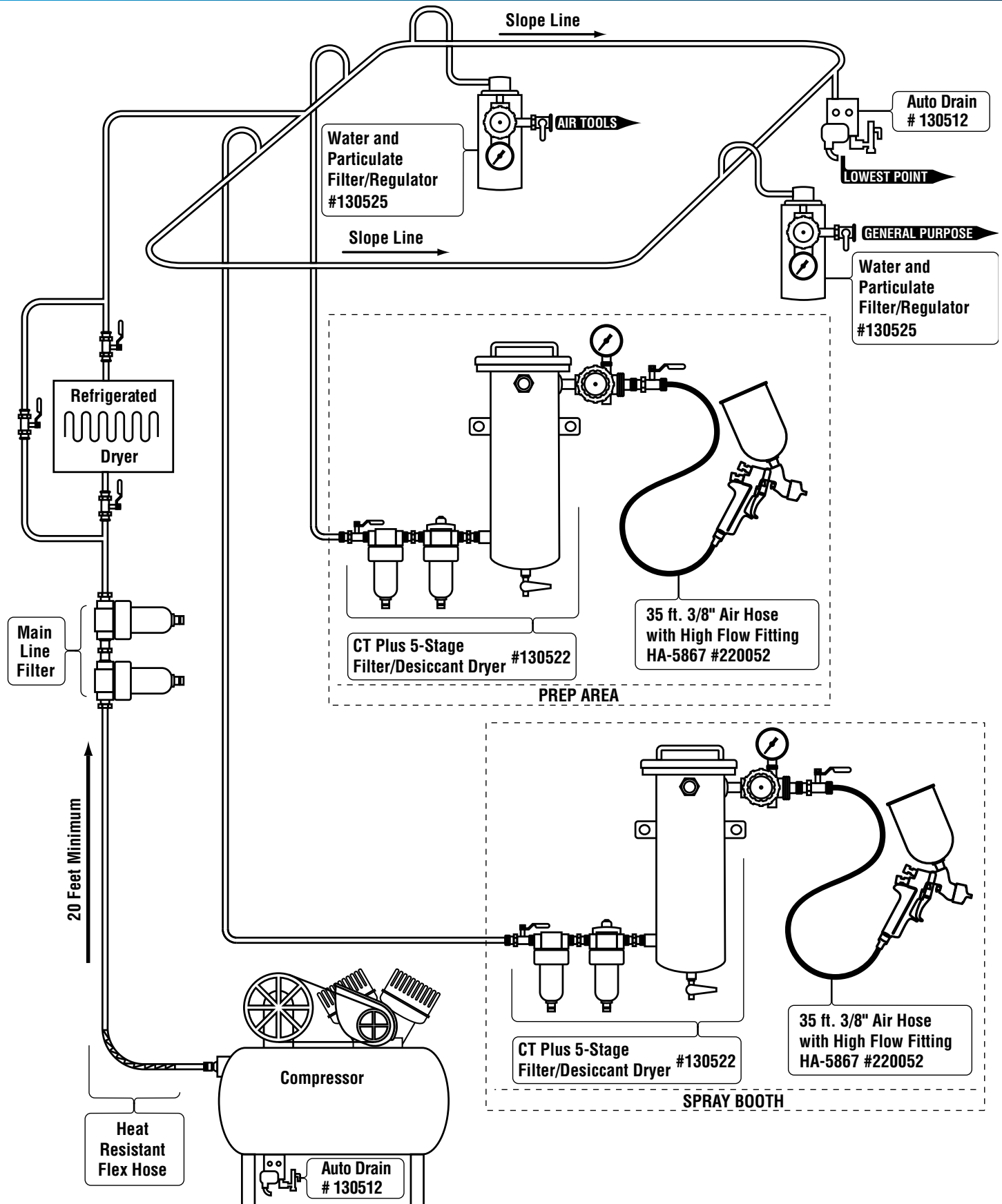
● Available only as part of KK-4977 Repair Kit; order separately.

Air Filtration Service Parts from DeVilbiss® Automotive Refinishing

Air Filtration Unit	Order No.	Service Part Description	Replacement Interval
DeVilbiss® DAD-PRO 	130538	 First stage removes oil, water, and dirt down to 5 microns.	Clean as needed, replace only when necessary.
	130539	 Second stage removes oil vapors and dirt particulates down to 0.01 microns.	Replace every 6 months.
	130504	 Quick change desiccant bag removes water vapor from compressed air down to a dew point of -40°F.	Indicator provided Green=OK, Yellow=Replace
Camair® CT30 	130504	 Quick change desiccant bag removes water vapor from compressed air down to a dew point of -40°F.	Indicator provided Green=OK, Yellow=Replace
Camair® CT Plus™ 	130517	 First stage removes water and dirt to 40 microns.	Replace every 3 months
	130518	 Second stage removes oil and vapors to .01 microns.	 (Check with air flowing)
	130504	 Quick change desiccant bag removes water vapor from compressed air down to a dew point of -40°F.	Indicator provided Green=OK, Yellow=Replace
	130534	 CT Plus Tune Up Kit contains: 130504 desiccant cartridge, 130517 water filter element, 130518 coalescing filter element and humidity indicator.	Indicator provided Green=OK, Yellow=Replace
Camair® 130523 	130517	 First stage removes water and dirt to 40 microns.	Replace every 3 months
	130518	 Second stage removes oil and vapors to .01 micron.	 (Check with air flowing)
Camair® 130526 	130517	 First stage removes water and dirt to 40 microns.	Replace every 3 months
	130518	 Second stage removes oil and vapors to .01 microns.	 (Check with air flowing)
	130527	 Third stage removes oil vapor and odors.	Replace every 6 weeks
Camair® 130525 	130524	 Removes water, oil and dirt to 0.1 microns. Kit contains replacement cartridge, O-rings and humidity indicator.	Indicator provided Blue=Ok, White=Replace
Camair® TS-10 	130507	 Second stage removes oil and vapors to .01 microns.	Replace every 3 months
	130508	 Complete Tune Up Kit for TS-10. 10 lbs desiccant, coalescing filter, humidity indicator.	Indicator provided Green=OK, Yellow=Replace
DeVilbiss® 130041 & 130042 	HAF-6	 Removes water and dirt to 5 microns.	Replace every 3 months
DeVilbiss® HAF-518 	HAF-6	 Removes water and dirt to 5 microns.	Replace every 3 months Indicator provided
	HAF-28	 Removes oil and vapors to 0.01 microns.	Green=OK, Red=Replace (check with air flowing)
DeVilbiss® DAD-500 	HAF-6	 First stage removes water and dirt to 5 microns.	Replace every 3 months
	HAF-28	 Second stage removes oil and vapors to .01 microns.	Indicator provided green=OK red=replace (check with air flowing)
	DAD-1	 Third stage removes humidity from the air.	Indicator provided blue=OK pink/white=replace
	DAD-600	 Tune Up Kit for DAD-500. 10 lbs desiccant and filter element	See above for filter change outs
	DAD-600-1	 Complete Tune Up Kit for DAD-500. 10 lbs desiccant, filter element, coalescing filter element	See above for filter change outs
FinishLine® HAR-602 & Sharpe® 606 	HAF-39	 Removes water and dirt to 5 microns.	Replace every 3 months
FinishLine® HAF-580 & HAR-680 	HAF-47	 Removes water and dirt to 5 microns.	Replace every 3 months
Sharpe® 6760 	DAD-1	 Third stage removes humidity from the air. 10 lbs Desiccant refill for two 5-lbs changes of Sharpe 6760. Replaces Sharpe 6765-1.	Indicator provided: blue=OK; pink/white=replace (place indicator paper into sight glass)

Sharpe is a registered trademark of Graco Inc.

Properly Piped Shop



Hose

Premium Hose Helps Ensure Premium Paint Jobs

Smooth Cover — Spray and Air Tool Hose

Can be used for all kinds of air-operated equipment. Smooth brick-red cover, synthetic rubber compound tube with high tensile strength braid. Hose offers superior resistance to oil, weathering, ozone and abrasion. Can be used with reusable or permanent crimp connections. Maximum application temperature: 150°F

Nyliner II Fluid Hose

Ideal for use with a wide range of materials such as resins and solvents contained in latices, epoxies, urethanes, alkyds, primers, acrylics, ketone, MEK, acetone, polyesters, silicones, bitumastic coatings, oil and water-based paints, lacquers, latex coatings, toluene, turpentine, naphtha, and many other solvents. Tube is nylon; cover is black neoprene rubber; yarn reinforced. Can be used with permanent crimp or reusable connections. Maximum application temperature: 150°F

For properly piped shop information, see page 47



Air Hose Assemblies

Size I.D.	Hose Assy Order No. Model No.	Length of Hose (feet)	Bulk Hose#	Connection Thread Size	Type of Connection	Connection Nut & Nipple
5/16"	220002 HA-2125	25	H-1921	1/4" NPS (F) Swivel	Three-Piece Reusable	240032 P-HC-4527
5/16"	220004 HA-2150	50	H-1921	1/4" NPS (F) Swivel	Three-Piece Reusable	240032 P-HC-4527
3/8"	220049 HA-5825	25	H-1958	1/4" NPS (F) Swivel	Three-Piece Reusable	240033 P-HC-4528
3/8"	220052 HA-5867	35	H-1958	1/4" NPS (F) Swivel	Three-Piece Reusable	HC-4719 P-HC-4528
3/8"	220054 HA-5835	35	H-1958	1/4" NPS (F) Swivel	Three-Piece Reusable	240033 P-HC-4528
3/8"	220047 HA-5850	50	H-1958	1/4" NPS (F) Swivel"	Three-Piece Reusable	240033 P-HC-4528

HA-5867 HVLP Air Hose Assembly includes HC-4719 High Volume Air Quick Disconnect and HC-4419 Stem.

Fluid Hose Assemblies

Size I.D.	Hose Assy Order No. Model No.	Length of Hose (feet)	Bulk Hose#	Connection Thread Size	Type of Connection	Connection Nut & Nipple
3/8"	220008 HA-7325	25	H-1973-1	3/8" NPS (F)	Three-Piece Reusable	240035 P-HC-4548
3/8"	220040 HA-7335	35	H-1973-1	3/8" NPS (F)	Three-Piece Reusable	240035 P-HC-4548
3/8"	220045 HA-7350	50	H-1973-1	3/8" NPS (F)	Three-Piece Reusable	240035 P-HC-4548
1/4"	220055 HA-7355	35	H-1975-1	3/8" NPS (F)	Three-Piece Reusable	240034 P-HC-4543

Air/Fluid Hose Set (for use with KBII Cup)

Order No. Model No.	Length	Bulk Air Hose	Bulk Fluid Hose	Connection Thread Size	Type of Connection	Connection Nut & Nipple
220019 KB-4006	5' 9"	210002 H-1921		1/4" NPS (F) Swivel	Three-Piece Reusable	240032 P-HC-4527
	6' 3"		210007 H-1975-1	3/8" NPS (F)	Three-Piece Reusable	240034 P-HC-4543

Bulk Hose Chart

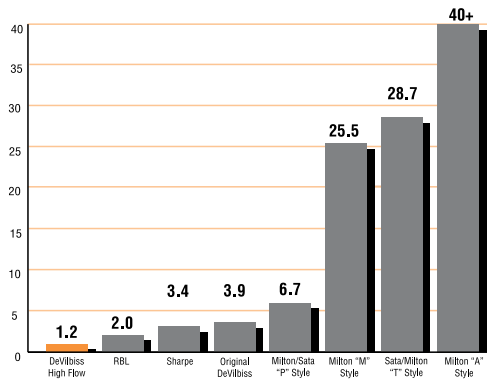
Type of Hose	Size I.D.	Size O.D.	Bulk Hose Model No.	Maximum Working Pressure (PSI)	Feet/Reel	(Order No.)
Smooth	1/4"	1/2"	H-1957	250	500	210003
Cover	5/16"	5/8"	H-1921	250	500	210002
Air	3/8"	11/16"	H-1958	250	500	210004
Nyliner II	1/4"	1/2"	H-1975-1	500	500	210007
Fluid	3/8"	11/16"	H-1973-1	500	500	210006

Hose Fittings

Designed to Optimize Air Flow for Top Spray Gun and Air Tool Performance



Pressure Drop Comparison at 50 PSI inlet at 25 SCFM



The chart above shows test data at 25 SCFM using:

- DeVilbiss high flow HC-4720 coupler, HC-4419 stem.
- RBL 611 coupler, 612 stem.
- Sharpe 8320 coupler, 8330 stem.
- Original DeVilbiss P-HC-4120 coupler, P-HC-201 stem.
- Milton/Sata "P" style 1804 coupler, 1810 stem.
- Milton "M" style S715 coupler, S727 stem.
- Sata/Milton "T" style 784 coupler, 786 stem.
- Milton "A" style S775 coupler, S777 stem.

Reusable Connections

Hose Size and Type



Size I.D.	Size O.D.	Fits DeVilbiss Hose No.	(M) Male (F) Female Connection Thread Size	Straight Connections Female Complete Connection No.
1/4"	1/2"	H-1957 H-1975-1	1/4" NPS (F) 3/8" NPS (F)	P-HC-4523 P-HC-4543
5/16"	5/8"	H-1921	1/4" NPS (F) 1/4" NPS (M)	P-HC-4527 P-HC-4599
3/8"	11/16"	H-1973-1	1/4" NPS (F) 3/8" NPS (F) 1/4" NPT (M)	P-HC-4528 P-HC-4548 P-HC-4955

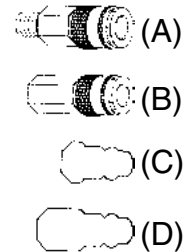
Quick Disconnects - High Flow Ball and Ring Lock Type

(For use with HVLP Spray Equipment)

Connection No.	Order No.	Thread Size
HC-4719 (A)	240147	1/4" NPT (M)
HC-4720 (B)	240148	1/4" NPT (F)

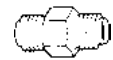
Stem Number	Order No.	Thread Size
HC-1166 (C)	240015	1/4" NPT (M)
HC-4419* (D)	240145	1/4" NPS (F)

*Designed for spray guns. Special cone seat prevents leaks!



Nipples (MBE) Male Both Ends

Part Number	Straight Type Male Thread	Male Thread
AD-31	1/4" NPS	1/4" NPS
H-2008	1/4" NPS	1/4" NPT
H-1446	3/8" NPS	3/8" NPS
AD-11	3/8" NPS	3/8" NPT



Adapters

Part Number	Straight Type Male Thread	Female Thread
AD-404	1/4" NPS	3/8" NPS
P-H-4105	3/8" NPS	1/4" NPS



Valves - Ball Type

Part Number	Thread
VA-540	3/8" NPS (M) x 3/8" NPT (M)
VA-542	1/4" NPS (M) x 1/4" NPT (M)
VA-595	1/2" NPT (M) x 1/2" NPT (M)

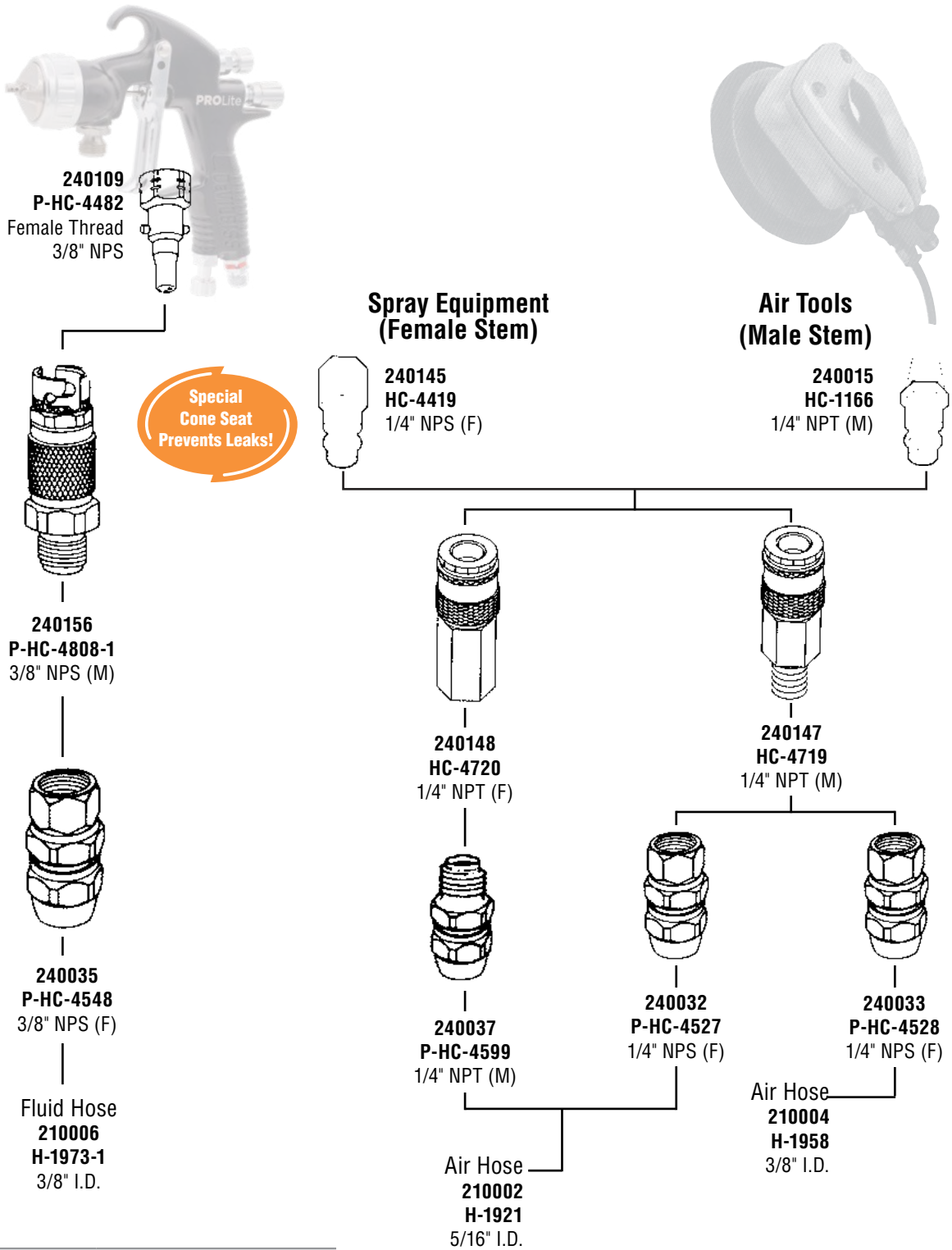


Coupler

Part Number	Thread
SSP-69	1/4" x 1/4" NPT (F)



Hose Fittings



NPT = tapered
NPS = straight

(M) = Male
(F) = Female

Whenever possible, match straight threads with straight threads and tapered with tapered. Otherwise, leakage may occur.

Gun Mounted Air Adjusting Valves, Regulators, and Gauges

DGi Pro Pod Digital Gauge Specifications:

- Easily maintain consistent, accurate air pressure
- Easy-to-read, easy-to-adjust
- Displays working pressure to within 0.7 psi (0.05 bar) to optimize gun performance
- Mounts at eye-level for quick, easy checking
- Turns on automatically when the spray gun is triggered
- Smooth control for fast, accurate pressure adjustments
- Fully ATEX Approved – gun washer safe

Order No.	Model No.	Max. Inlet Pressure	Max. Reg. Pressure PSI	Air Inlet	Air Outlet
130015	HARG-510	175	100	1/4" NPS (M)	1/4" NPS (F) (Swivel)
704307	704307	175	N/A	-	-
180005	HAV-500	175	N/A	1/4" NPS (M)	1/4" NPS (F) (Swivel)
180006	HAV-501	160	0-160	1/4" NPS (M)	1/4" NPS (F) (Swivel)
180089	HAV-511	160	0-160	1/4" NPS (M)	1/4" NPS (F) (Swivel)
803236	HAV-512	100	0-100	1/4" NPS (M)	1/4" NPS (F) (Swivel)
802419	HARG-555	160	100	1/4" NPS (M)	1/4" NPS (F) (Swivel)
803289	DGI-101	160	2.5-160	1/4" NPS (M)	1/4" NPS (F) (Swivel)
803291	HAV-555	160	2.5-160	1/4" NPS (M)	1/4" NPS (F) (Swivel)
704427	704427	175	N/A	-	-



HAV-555



704307



704427 DV1 GAUGE



HAV-511



HAV-501



HAV-512



HARG-555 Digital



HARG-510



HAV-500

Millennium 3000 Respirators

Extremely Comfortable, Strong and Durable with Sizes to Fit Most Painters and Technicians

NIOSH Approved (TC 23C-87)–Meets OSHA Requirements



Order No.	Model No.	Size	Replaceable cartridges
900253	40-128	Medium	Yes
900255	40-143	Large	Yes



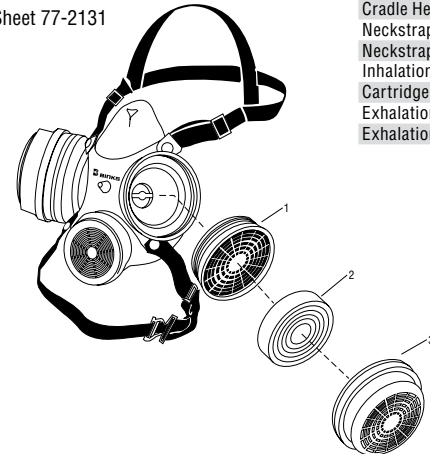
Caution
Not for use with paints that contain isocyanates. Read and follow all printed warnings. A qualified safety expert or hygienist should be used to select the correct respirator.

Refer to Part Sheet 77-2131

Ref. No.	Order No.	Model No.	Description	Ind. Parts Req.
1	900259	40-1921-10	Cartridge (2/Card, Kit of 10 Cards)	2
2	900261	40-1924-10	Pre-filter (10/Card, Kit of 10 Cards)	2
3	900262	40-1925	Cover (Kit of 2)	2

**Also available:
Tune-up Kit 900263 (40-1928)**

Description	Qty.
Cradle Headband	1
Neckstrap – right	1
Neckstrap – left	1
Inhalation Valve	2
Cartridge Gasket	2
Exhalation Valve	1
Exhalation Valve Cover	1



Breathable Air Systems

Breathable Air Filtration

Order No.	Model No.	Description	Removes Dirt to 5 Micron	Removes Liquid Water	Removes Oil Aerosols	Removes Humidity	Removes Odor
130089	DAD-503	3-stage filtration with desiccant air dryer system	Yes	Yes	Yes	Yes	Yes
130087	HAF-601	3-stage filtration system	Yes	Yes	Yes	No	Yes
130096	DAD-504	Desiccant retrofit system	Yes, when used with DAD-500 or HAF-518	Yes, when used with DAD-500 or HAF-518	Yes, when used with DAD-500 or HAF-518	Yes, when used with DAD-500	Yes



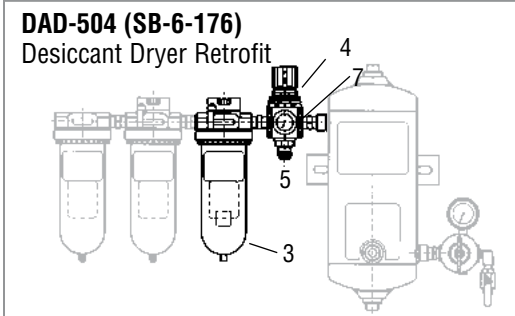
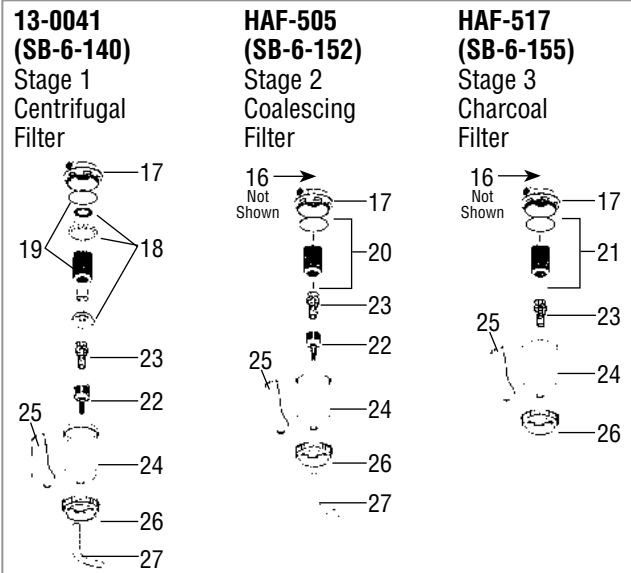
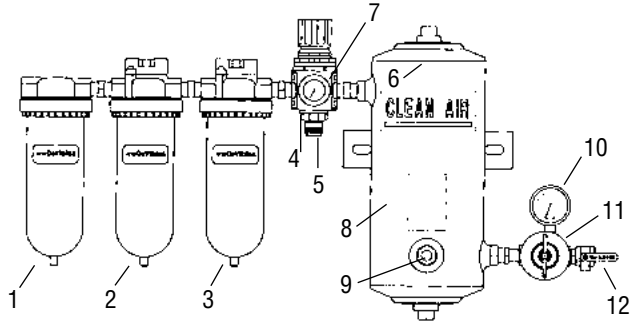
Also includes 1/2" ball valve shutoff for easy maintenance

Breathable Air Filtration Units

PARTS AND ASSEMBLY

Refer to Service Bulletins:

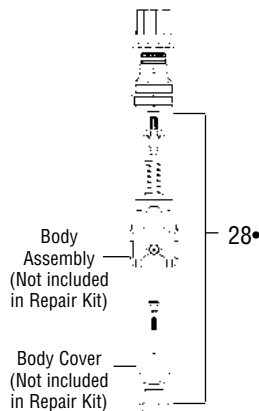
SB-6-159 DAD-503
 SB-6-132 HAF-601



● Diaphragm Repair Kit 192323 (KK-5045B)

Description	Qty.
Thrust Washer	1
Adjusting Screw Assembly	1
Main Spring	1
Slip Ring	1
Diaphragm Assembly	1
Valve Assembly	1
Valve Spring	1

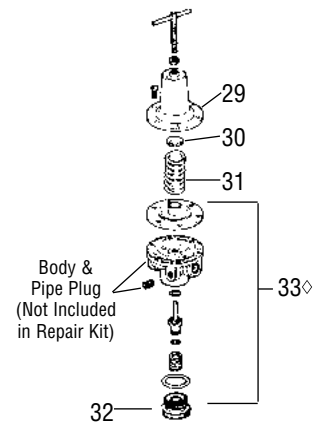
HAR-508 (SB-6-133)
Air Regulator



◇ Repair Kit 191554 (KK-4977)

Description	Qty.
Diaphragm Assembly	1
O-Ring	1
Valve	1
O-Ring	1
Spring	1
O-Ring	1

HAR-507 (SB-6-147)
Air Regulator



Ref. No.	Order No.	Model No.	Description	Ind. Parts Req.
1	130041	13-0041	Air Filter/Separator	1
2	130027	HAF-505	Coalescing Filter	1
3	130086	HAF-517	Charcoal Filter	1
4	130091	HAR-508B	Flow-Thru Regulator	1
5	190939	MPV-424	Breathable Air Quick Release Socket	1
6	190953	DAD-8	Screen (Not Shown)	2
7	190093	GA-316	Gauge	1
8	190877	PT-417	Desiccant Tank (without desiccant, includes Ref. No. 6)	1
9	190895	DAD-400	Humidity Indicator (1 Humidity Indicator Paper Included)	1
10	190564	GA-288	Gauge	1
11	130059	HAR-507	Air Regulator	1
12	240039	VA-542	Ball Valve	1
13	190831	DAD-1	Replacement Desiccant (Not Shown) (1 Humidity Indicator Paper Included)	1
14	130030	DAD-600	Desiccant Tune-Up Kit (Not Shown) Includes 1 ea: DAD-1, DAD-3, & HAF-6	1
14	802182	DAD-600-1	Desiccant Tune-Up Kit (Not Shown) Includes 1 ea: DAD-1, DAD-3, HAF-6 & HAF-28	1
15	190939	MPV-424	Quick Release Socket (Not Shown)	1
16	190883	HAF-404	Filter Change Indicator (Not Shown)	1
17	—	—	Cover	1
18	190856	HAF-26	Baffle Kit	1
19	190727	HAF-6	Filter & O-Ring Kit	1
20	190845	HAF-28	Filter & O-Ring Kit	1
21	190937	HAF-36	Filter & O-Ring Kit	1
22	190771	HAF-18	Automatic Drain (Standard)	1
23	190766	HAF-11	Manual Drain (Optional)	1
24	190763	HAF-8	Plastic Bowl	1
25	191417	HAF-19	Metal Bowl Guard	1
26	190869	HAF-409	Clamp Ring	1
27	—	—	1/2 x 3/8 Vinyl Tubing, 6 ft.	1
●28	192323	KK-5045B	Diaphragm Repair Kit	1
29	191429	HAR-14	Cover	1
30	—	—	Spring Button	1
31	—	—	Diaphragm Spring	1
32	—	—	Bottom Plug	1
◇33	191554	KK-4977	Repair Kit	1

DeVilbiss® Reusable Coverall

Order No.	Size
803596	Medium
803597	Large
803598	XL
803599	3XL



DeVilbiss® Disposable Coverall

Order No.	Size
803671	Medium
803672	Large
803673	XL
803674	3XL



DeVilbiss® Hooded Lab Coat

Order No.	Size
803664	Medium
803665	Large
803666	XL
803667	3XL



DeVilbiss® Dirt Control Floor Coat

- Significantly reduces buffing time caused by dirt in paint jobs
- Reduces airborne particles in a spray booth by trapping them to booth floor
- Can be used in concrete floor paint booths, ideal for shops spraying waterborne (not for use with painted concrete, tile, or grated floors)

Order No.	Description
803491	Dirt Control Floor Coat (5 gal.)
803492	2-gallon Pump Sprayer



DeVilbiss® Booth Wall Coat

- Protects paint booth surfaces from paint overspray
- Sprayable masking liquid
- Peels off easily

Order No.	Description
803668	Booth Wall Coat (1 gal.)



DeVilbiss® Clear Glass Coat

- Peelable glass surface coating

Order No.	Description
803669	Clear Glass Coat (1 quart)



Flame Retardant Booth Paper

Highly Absorbent

- Suitable for floor, wall and equipment cover while spraying

Size: 60" x 300'

Order No.	Model No.	Description
900115	29-836	Flame Retardant Booth Paper



DeVilbiss® Bumper Prep Pad

- Clean, abrade and degrease in one easy step
- Reduces steps in bumper prep process to increase efficiency
- Provides comprehensive abrasion for better adhesion

Order No.	Description
803557	All-In-One Bumper Prep Pad (1 per pkg.)



DeVilbiss® Paint Prep Wipes

- Virtually lint free
- Waterborne compatible
- 1/4 Fold format - ready to use
- Strong, absorbent non-woven materials
- 300/carton

Order No.	Model No.	Description
DC-101	803657	Paint Prep Wipes



DeWipe-Outs® Pre-Saturated Prep Wipe

- 11" x 17" each
- 50 wipes per pouch
- Reduces buffing
- "Static Killer" formula reduces static charge and static-related dirt

Order No.	Description	Application
803045	85% IPA/15%DI Water	Most climates
803046	50% IPA/50%DI Water	Warmer/drier climates or heated spray booths
803418	Acetone blend, California exempt	VOC compliant California blend
803048	Storage case w/lid gasket and snap closure	Must be used w/803048 storage case



TACK WIPE® By DeVilbiss

- Compatible with all paints
- Non-toxic
- Wax and silicone-free
- Engineered to leave no residue
- Use to remove dirt, dust and sanding particulates from surface

Order No.	Model No.	Description
803816	TCK-101-K12	Cotton Tack Wipe
803817	TCK-121-K12	Polyester Tack Wipe



DeVilbiss® Anti-Static Wiper

- Dry wiper reduces paint defects caused by static imbalance
- Neutral surface eliminates issues caused by dirt and airborne particles, allows for better metallic orientation and flow of clearcoats
- Use before sealer, base or clearcoats—no marring
- For both waterborne and solvents

Order No.	Description
803553	Anti-Static Wiper (1 per package)



SHIM-MASK®
 By DeVilbiss

Ideal for:

- Paint and clearcoat runs
- Imperfections
- Minimizing exposed area when sanding paint-filled chips or scrapes
- 3 per package

Order No.	Description
803654	Shim-Mask



Demo Kits

Order No.	Description
803853	Clean Kit Low VOC Includes: Bumper Prep Pad (2), Paint Prep Wipe Sample Pack, Cotton Tack Wipe (6), Poly Tack Wipe (6), DeWipe-Outs Low VOC, Storage case w/lid gasket & snap closure, Anti-Static Wipe (2), Large Disposable Coverall, XL Disposable Coverall, Medium Disposable Coverall, SHIM-Mask®, SOP Poster
803854	Clean Kit Normal Climate Includes: Bumper Prep Pad (2), Paint Prep Wipe Sample Pack, Cotton Tack Wipe (6), Poly Tack Wipe (6), DeWipe-Outs 85/15 blend, Storage case w/lid gasket & snap closure, Anti-Static Wipe (2), Large Disposable Coverall, XL Disposable Coverall, Medium Disposable Coverall, SHIM-Mask®, SOP Poster
803855	Clean Kit Dry Climate Includes: Bumper Prep Pad (2), Paint Prep Wipe Sample Pack, Cotton Tack Wipe (6), Poly Tack Wipe (6), DeWipe-Outs 50/50 blend, Storage case w/lid gasket & snap closure, Anti-Static Wipe (2), Large Disposable Coverall, XL Disposable Coverall, Medium Disposable Coverall, SHIM-Mask®, SOP Poster

TRANSFORM YOUR PAINT JOBS FROM ACCEPTABLE TO EXCEPTIONAL

The DeVilbiss CLEAN™ products system offers an integrated best practices approach, providing contamination control solutions in the critical areas of Compressed Air Filtration, Technician & Spray Booth particle control, and refinish Surface Prep.

DeVilbiss CLEAN™ has been developed to reduce cycle times to increase productivity and throughput by helping shops eliminate contamination in refinish work that costs valuable rework time and materials.

Refinishing operations that adopt these cutting edge technologies not only can lower costs and improve productivity and quality, but just as importantly take a big step forward to exceed customer expectations and boost critical CSI scores.



Desiccant Snake and Indicator



Disposable, In-Line Desiccant Air Dryer

- A unique design that combines desiccant drying with built in dirt and oil aerosol filters
- Effective with both HVLP and Conventional spray equipment
- 200 PSI maximum
- 150° F maximum

Humidity Indicator Alerts Painter to Humidity in the Air Line

- Recommended for use with Desiccant Snake

Order No.	Description
130502	DS20 Desiccant Snake
130503	RHI-01 Humidity Indicator



Replacement Desiccant Cartridge



Order No.
130504



Aerodry[®] Paint Dryer



Order No.	Description
130530	Dryer Gun



Desiccant Charge & TS-10 Tune-Up Kit

Desiccant Charge (10 lbs.)

Order No.
130506

TS-10 Tune-Up Kit

Order No.
130508

Includes:

- 10 lbs. desiccant charge
- Humidity indicator
- Coalescing filter

Keep Your TS-10 and Other Desiccant Systems Performing Like New!

Order No.	Description
130506	10lbs. desiccant charge
130508	TS-10 tune-up kit (10lbs. desiccant charge, humidity indicator, coalescing filter)



DAD Desiccant Refill & Tune-Up Kits

A Well-Maintained DAD-500 Helps Eliminate Paint Defects

Desiccant Tune-up Kit

Order No.	Model No.	Description
802182	DAD-600-1	Desiccant refill, 1st stage filter element, 2nd stage coalescing filter element
130030	DAD-600	Desiccant refill, 1st stage filter element
190831	DAD-1	Desiccant refill



CT Plus Tune-Up Kit

Order No.
1305424

Includes:

- 10 lbs. desiccant charge
- Humidity indicator
- Coalescing filter

Whirlwind™ Disposable Air Filter

DeVilbiss Whirlwind: Longer Life and Less Pressure Drop

Patented Two-Stage Filter:

Stage 1- Swirl Chamber:
Removes large water droplets

Stage 2- Filter Media:
Removes smaller water droplets, oil droplets, and dirt particles

All Other Competitive Filters:

- Water droplets saturate the filter media — shortening the life of the filter
- Smaller inlet surface area increases pressure drop

Order No.	Model No.	Description
130028	HAF-507	Whirlwind Filter (order qty. 12)
130095	HAF-507-K2	Whirlwind Filter 2 pack (order qty. 6)



Can be used with all HVLP spray guns

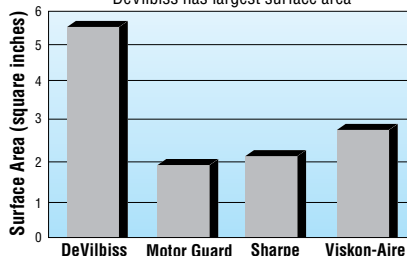


Cross-section view of filters



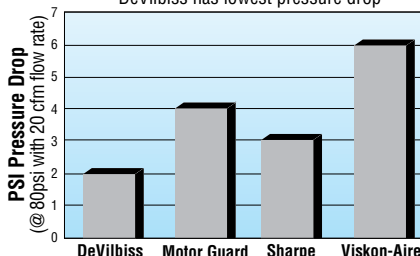
FILTER ELEMENT INLET SURFACE AREA

Larger area = longer life & less pressure drop
DeVilbiss has largest surface area



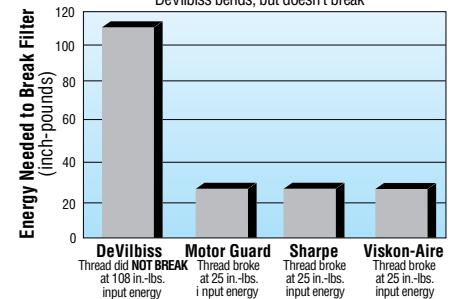
FILTER PRESSURE DROP

Lower drop = better flow
DeVilbiss has lowest pressure drop



FILTER TOUGHNESS

Energy needed to break male thread. More energy = stronger
DeVilbiss bends, but doesn't break



Scrubs® HAND CLEANER TOWELS

Order No.
192218
Bucket of 72 Scrubs

Pre-moistened, Heavy-Duty Towels Easily Remove Soil from Your Hands

- Portable and convenient.
- Conditions and softens.
- Use on tools, equipment and work surfaces.
- Works fast on dirt, oils, adhesives, lubricants, paints, grease, tar, urethanes, epoxies, inks and dyes, sealants and caulks.



For Automotive
Collision Repair
Technicians

AF Filters™ Exhaust Air Filters

Order No. Model No.
928678 29-2186

High Holding Capacity for All Dry Spray Booths



Size: 3' x 30'
90 sq. ft. of surface area/8 pleats per foot

Average Removal
Efficiency: 98.1%

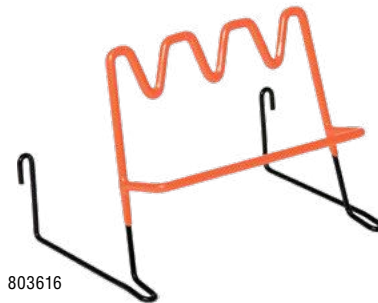
Gravity Spray Gun Holders

Gravity Gun Holders

Order No.	Description
192219	Wall Mount Gun Holder Protective coating prevents scratches on gravity cups
803616	Multi Spray Gun Holder



192219



803616

HGS Fluid Regulator

Order No. Model No.
130090 HGS-5242

Regulates pressure from 2-50 PSI

- 3/8" NPS (M) fluid inlet
- 3/8" NPS (F) swivel fluid outlet
- Regulates pressure from 2-50 PSI



Gun Fluid Tube

Order No. Model No.
180042 JGA-444

Prevents Fluid Hose from Dragging over Work and Twisted Lines

- 3/8" NPS thread
- Keeps hose from dragging over work and prevents twisted lines



*Does not fit FLG or ProLite Pressure Guns

Fluid Strainers

Order No.	Model No.	Application	Description	Max. Working Pressure
190181	KGP-5-K5	Gravity Cup	Fluid Strainer	N/A
240129	PLH-MF-6-100	Pressure Gun	Fluid Strainer	250 PSI
180073	VS-532	Pressure Gun	Fluid Strainer	300 PSI
191925	VS-58-K10	Replacement screen for VS-532	Screen-100 Mesh	N/A
240131	PLH-MFC-100	Replacement screen for PLH-MF-6-100	Screen-100 Mesh	N/A



Professional Spray Gun Cleaning Kit

Order No.
192212



DeKones Paint Strainers

DeKONES
by DeVilbiss

Clean. Fast. Efficient.

Premium Paint Strainers

Patented Design

- No contamination – all gluing and imprinting done on outside
- No double meshed tip – eliminates unstrained paint passing through the tip
- Fast and strong

Nylon Strainers

- Lint free
- Consistent mesh sizes for optimum filtration

Order No.	Description
802351	Nylon – Fine, 190 micron, 100/box, (Order qty. 10)
802353	Nylon – Fine, 190 micron, 250/bag, 1000/case
802352	Nylon – Medium, 226 micron, 100/box, (Order qty. 10)
802852	Nylon – Superfine, 125 micron, 250/bag, 1000/case
803253	Nylon – Superfine, 125 micron, 100/ctn



* Waterborne compatible when using a plastic or disposable cup system.



Gauge Reference Chart

Gauge Model	Scale (PSI)	Thread Size	Diameter	Port Location
GA-313	0–15	1/8 NPT (M)	1 1/2"	Bottom
GA-355	0–30	1/8 NPT (M)	1 1/2"	Bottom
83-1355	0–100	1/4 NPT (M)	2 1/16"	Bottom
83-2727	0–100	1/4 NPT (M)	2 3/16"	Bottom
83-1290	0–150	1/4 NPT (M)	2 1/16"	Bottom
GA-338	0–160	1/8 NPT (M)	1 1/2"	Back
GA-288	0–160	1/4 NPT (M)	2"	Bottom
GA-316	0–160	1/4 NPT (M)	2"	Back
GA-375	0–160	1/4 NPT (M)	2"	Top (Inverted)
DGI-101	2.5–160	1/8 NPT (M)	1 1/4" x 1 3/4"	Back

Gun Wrenches

Order No.	Model No.	Description
702740	702740	10mm and 14mm wrench, for use with TEKNA® spray guns
180008	WR-103	Contains all necessary sizes for use with all DeVilbiss guns and many other brands
900712	54-3918	For use with M1-G, M1-G Clear and Mach 1 HVLP spray guns
900431	5-476	For use with 2001 spray gun (not shown)
704429	704429	DV1 tool kit



Gravity Spray Gun Cup Lids

Order No.	Model No.	Description
190944	GFC-404-K2	Disposable Lid Kit for GFC-502 and 702576 gravity cups (Kit of 2)
190225	GFC-402	Lid Assembly Kit for GFC-501 gravity cup



Spray Gun Lube

Order No.	Model No.	Description
181001	SSL-10	Spray Gun Lube

- Contains no silicone or petroleum distillates
- Compatible with all paint materials
- 2 oz. bottle





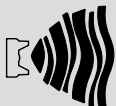


Paint Strainers



Order No.	Model No.	Description	Pkg. Qty.
901441	81-82	White Fine Mesh – 145 (100 Micron)	5
901442	81-83	Blue Medium Mesh – 100 (149 Micron)	5
901443	81-84	Red Coarse Mesh – 80 (177 Micron)	5

Troubleshooting

Condition	Cause	Correction
Heavy top or bottom pattern 	Horn holes plugged. Obstruction on top or bottom of fluid nozzle. Cap and/or nozzle seat dirty.	Clean. Ream with non-metallic point. Clean. Clean.
Heavy right or left side pattern 	Left or right side horn holes plugged. Dirt on left or right side of fluid nozzle. Remedies for the top-heavy, bottom-heavy, right-heavy, and left-heavy patterns: <ol style="list-style-type: none"> Determine if the obstruction is on the air cap or the fluid nozzle. Do this by making a test spray pattern. Then, rotate the cap one-half turn and spray another pattern. If defect is inverted, obstruction is on the air cap. Clean air cap as previously instructed. If the defect is not inverted, it is on the fluid nozzle. Clean nozzle. Check for a fine burr on the edge of the fluid nozzle. Remove with #600 wet or dry sandpaper. Check for dried paint just inside the cap center hole opening. Remove by cleaning. 	Clean. Ream with non-metallic point. Clean.
Heavy center pattern 	Material flow exceeds air cap's capacity. Atomizing pressure too low. Material too thick.	Thin or lower fluid flow. Increase pressure. Thin to proper consistency.
Split spray pattern 	Fluid adjusting knob turned in too far. Insufficient material flow Atomization air pressure too high. Too much fan air.	Back out counter clockwise to achieve proper flow. Increase fluid pressure (pressure feed) Reduce air pressure. Turn fan adjust in to reduce.
Jerky or fluttering spray 	Loose or damaged fluid tip/seat.* Material level too low. Container tipped too far. Obstruction in fluid passage. Loose or broken fluid tube or fluid inlet nipple. Dry or loose needle packing nut.	Tighten or replace. Refill. Hold more upright. Clean. Tighten or replace. Lubricate or tighten.
Will not spray	No air pressure at gun. Needle adjusting screw not open enough.	Check air supply and air lines. Open needle adjusting screw.
Excessive overspray (spray mist)	Too much atomization air pressure. Gun too far from work surface. Improper stroking (arching, gun motion too fast).	Reduce pressure. Adjust to proper distance. Move at moderate pace, parallel to work surface.
Dry spray	Air pressure too high. Gun too far from work surface. Gun motion too fast. Gun out of adjustment.	Decrease air pressure. Adjust to proper distance. Slow down. Adjust.
Fluid leaking from packing nut	Packing nut loose. Packing worn or dry.	Tighten; do not bind needle. Replace or lubricate.
Fluid leaking or dripping from front of gun	Foreign matter in tip.* Packing nut too tight. Dry packing. Fluid tip or needle worn or damaged. Needle spring deformed or broken.	Clean. Adjust. Lubricate. Replace tip and needle with lapped set. Replace.
Runs and sags	Too much material flow. Material too thin. Gun tilted on an angle, or gun motion too slow.	Adjust gun or reduce fluid pressure. Mix properly or apply light coats. Hold gun at right angle to work and adapt to proper gun technique.
Thin, sandy coarse finish, drying before it flows out	Gun too far from surface. Too much air pressure. Improper thinner being used.	Check distance. Normally 6–8" (152–203 mm). Reduce air pressure and check spray pattern. Follow paint manufacturer's mixing instructions.
Thick, dimpled finish "orange peel" Too much material coarsely atomised.	Gun too close to surface. Air pressure too low or too much material. Improper thinner being used. Material not properly mixed. Surface rough, oily, dirty.	Check distance. Normally 6–8" (152–203 mm). Increase air pressure or reduce fluid flow. Follow paint manufacturer's mixing instructions. Follow paint manufacturer's mixing instructions. Properly clean and prepare.
Excessive fog	Too much or too-fast-drying thinner. Too much atomization air pressure.	Remix properly. Reduce pressure.
Unable to get round spray	Spreader valve not seating properly. Air cap retaining ring (nut) loose.	Clean or replace. Tighten.

*Most common problem.

DeVilbiss Automotive Refinishing

1-800-445-3988 | askus@carlisleft.com | autorefinishdevilbiss.com



1-800-992-4657 | askcft@carlisleft.com | carlisleft.com

©2021 Carlisle Fluid Technologies, Inc.
BGK, Binks, DeVilbiss, ms and *Ransburg* are registered trademarks of Carlisle Fluid Technologies, Inc.
Models and specifications subject to change without notice. All rights reserved. | 19CFT468