

ROTABROACH® CUTTERS



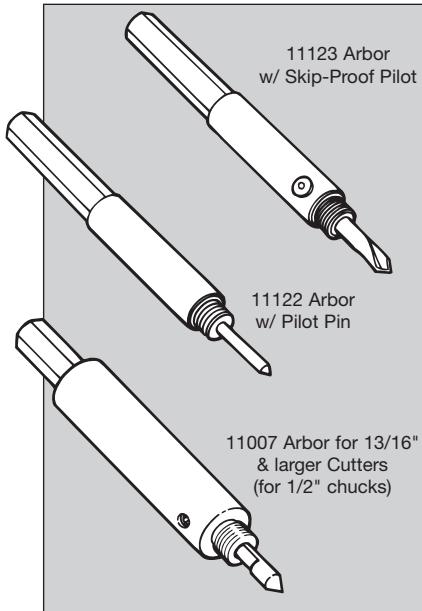
Cut Holes 3x faster & lasts 10x longer than twist drills or hole saws

For precision holemaking in sheet metal and frame materials up to 1/2" thick. Blair Rotabroach Annular Cutters make clean, burr-free, round holes with no deforming of stock or damage to the surrounding material. Ideal for sheet metal fabrication or PDR and rustproofing access holes because the snap-in plugs fit perfectly. Custom builders and aftermarket equipment installers can also count on the superior quality holes.

Rotabroach Cutters are precision ground and made of M2 H.S.S. with a patented tooth geometry that also prevents chip clogging whether cutting steel, sheet metal or plastics. Unlike hole saws and twist drills that push and tear through materials, these cutters will make hundreds of holes with no deforming of stock, jagged edges or out-of-round holes.

Arbors for Rotabroach Cutters fit 3/8" and 1/2" hand held drill chucks and use either spring loaded pilots or skip-proof pilots which eliminate pre-drilling operations. Made in USA.

ARBORS



ARBORS

Part Number	Description
For 3/8" and larger drill chucks	
11123	Arbor w/ Skip-Proof Pilot for 3/8" (10mm) to 3/4" (20mm) Cutters
11122	Arbor w/ Pilot Pin for 1/4" (6mm) to 3/4" (20mm) Cutters
For 1/2" and larger drill chucks	
11007	Arbor for 13/16" to 1-1/2" Cutters

PILOTS

Part Number	Description
11097	Pilot for 11123 Arbor (3pk)
11121	Pilot for 11122 Arbor (3pk)
11628	Pilot for 11007 Arbor (3pk)

Diameter (Inches)	Decimal Equivalent	Part Number
Use Arbor 11122 • 1/4" D.O.C.		
1/4	.2500	11100-3
9/32	.2812	11102-3
5/16	.3125	11104-3
11/32	.3438	11106-3
Use Arbor 11122 or 11123 • 1/4" D.O.C.		
3/8	.3750	11108-3
13/32	.4062	11110-3
7/16	.4375	11112-3
29/64	.4531	11113-3
15/32	.4688	11114-3
1/2	.5000	11116-3
17/32	.5312	11118-3
9/16	.5625	11120-3
5/8	.6250	11124-3
11/16	.6875	11128-3
23/32	.7188	11130-3
3/4	.7500	11132-3
Use Arbor 11007 • 1/2" D.O.C.		
13/16	.8125	11336
7/8	.8750	11340
15/16	.9375	11344
1	1.0000	11348
1-1/16	1.0625	11352
1-1/8	1.1250	11356
1-3/16	1.1875	11360
1-1/4	1.2500	11364
1-5/16	1.3125	11365
1-3/8	1.3750	11366
1-7/16	1.4375	11367
1-1/2	1.5000	11368
Diameter (Metric)	Decimal Equivalent	Part Number
Use Arbor 11122 • 1/4" D.O.C.		
6mm	.2362	11206-3
7mm	.2756	11207-3
8mm	.3150	11208-3
8.5mm	.3346	11285-3
9mm	.3543	11209-3
Use Arbor 11122 or 11123 • 1/4" D.O.C.		
10mm	.3937	11210-3
11mm	.4331	11211-3
12mm	.4724	11212-3
13mm	.5118	11213-3
14mm	.5512	11214-3
15mm	.5906	11215-3
16mm	.6299	11216-3
17mm	.6693	11217-3
18mm	.7087	11218-3
19mm	.7480	11219-3
20mm	.7874	11220-3

All cutters ending in (-3) are sold as a 3 pack.

Kits available with popular sizes for general holemaking, PDR access holes, rustproofing, and spotweld removal. See Page 7.