

Operator's Manual



13325 Carowinds Blvd. • Charlotte NC • 28273 USA

CP797 Series Impact Wrench

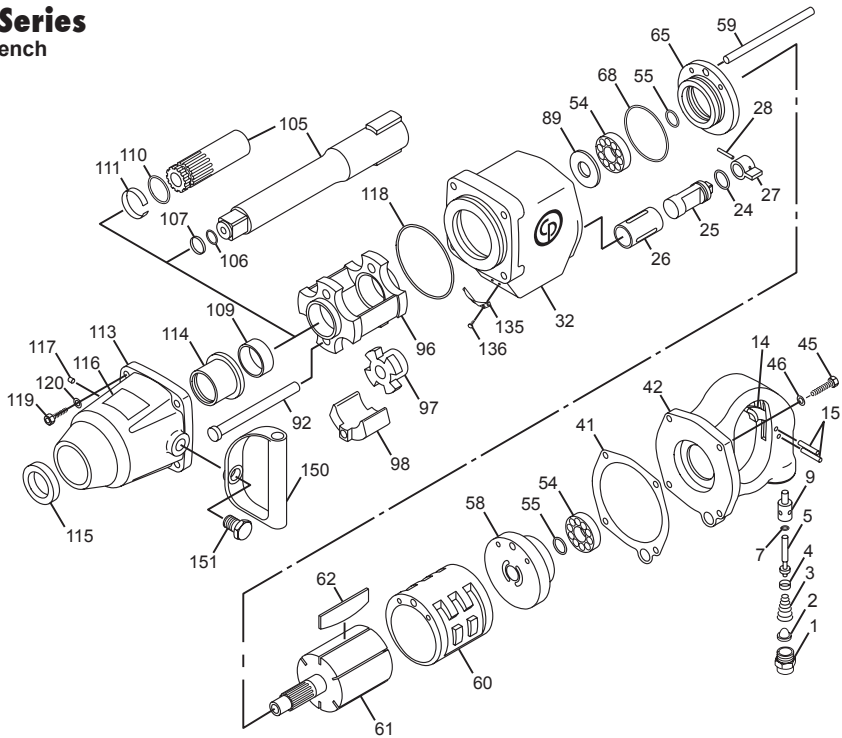
1" Sq. Dr. Std. Model "K"



⚠ WARNING

To reduce risk of injury, everyone using, installing, repairing, maintaining, changing accessories on, or working near this tool must read and understand these instructions before performing any such task.

CP797 Series Impact Wrench



Index No.	Part No.	Description	Qty.	Index No.	Part No.	Description	Qty.
1	C092292	Inlet Bushing	1	97	KF125417	Cam-Dog	1
2	C036909	Air Strainer	1	98	CA116247	Dog	2
3	C077054	Throttle Spring	1	105	KF127222	Anvil (1 in. Sq. Dr.)(Incl: Index Nos. 106 & 107)	1
4	C106818	Retainer O-Ring	1		CA116251	Anvil (1 in. Sq. Dr.)(6 in. Extension) (Incl: Index Nos. 106 & 107)	1
5	KF125405	Valve	1		KF130164	Anvil (#5 Spline Dr.)(Incl: Index Nos. 110 & 111)	1
7	A043001	O-Ring (-013)	1		KF130165	Anvil (#5 Spline Dr.)(6 in. Extension) (Incl: Index Nos. 110 & 111)	1
9	KF125442	Bushing-Throttle Valve	1	106	H082651	O-Ring (1 in. Sq. Dr.)	1
10	CA131376	Decal-Oil Daily (Not Shown)	1	107	CA094791	Ring-Friction (1 in Sq. Dr.)	1
14	KF125384	Trigger	1	109	CA116241	Bushing	1
15	P001632	Pin-Roll (.188 x 1.125)	2	110	C084172	O-Ring (#5 Spline Dr.)	1
24	C083177	O-Ring (-210)	1	111	CA050617	Ring-Friction (#5 Spline Dr.)	1
25	KF129398	Valve	1	113	CA117390	Housing-Clutch (Incl: Index Nos. 114, 115 & 116)	1
26	CA116546	Bushing-Release Valve	1	114	CA122265	Bushing-Clutch Housing	1
27	C039399	Reverse Valve Lever	1	115	CA088508	Grease Seal	1
28	G071613	Pin-Roll (.125 x .75)	1	116	CA155779	Decal-Safety Warning	1
32	KF130009	Housing-Motor (Incl: index No. 26)	1	117	C054897	Pipe Plug	1
41	C063754	Handle-Gasket	1	118	CA116253	O-Ring (242)	1
42	KF125399	Handle-Pistol Grip (Incl: Index No. 9)	1	119	S062777	Screw (5/16-18 x 1 1/4)	4
45	P070425	Cap-Screw (1/4-20 x 1)	4	120	C011070	Lockwasher (5/16)	4
46	S000271	Lockwasher (1/4)	4	135	KF129684	Plate	4
54	C063836	Bearing-Ball	2	136	KF129065	Screw-Self Tapping	1
55	C089991	Grease Seal	2	150	KF125403	Handle-Dead	1
58	CA116243	Plate-Upper End	1	151	KF125404	Bolt (3/4-16 x 1 3/8)	1
59	KF125390	Pin-Liner Dowel	1				
60	KF125401	Liner	1				
61	CA116249	Rotor 12T	1				
62	KF138224	Blade-Set	1				
65	CA116245	Plate-Lower End	1				
68	P083094	O-Ring (-230)	1				
89	KF125419	Spacer-Bearing	1				
92	CA048066	Pin-Clutch Dog	2				
96	KF125418	Cage	1				

Tune-Up Kit
CA131501 (Incl: 7, 24, 41, 55, 62, 68, 106, 107, 110, 111, 115, 118)

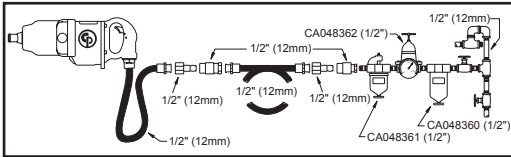
Clutch Housing Kit
CA144478 (Incl: 92, 113, 118)

INSTRUCTION MANUAL

This product is designed for installing and removing threaded fasteners in wood, metal and plastic. No other use permitted. For professional use only.

Air Supply Requirements

1. Supply tool with 90 psig (6.3 bar) of clean, dry air. Higher pressure drastically reduces tool life.
2. Connect tool to air line using pipe, hose and fitting sizes shown in the diagram below.



Lubrication

1. Use an air line lubricator with SAE #10 oil, adjusted to two (2) drops per minute. If an air line lubricator cannot be used, add air motor oil to the inlet once a day.
2. Check clutch oil once each month. Use 6 oz. (177ml) of SAE #30 oil or equivalent.

Operation

1. The intended use of this impact wrench is with impact rated sockets operating upon threaded fasteners. To operate, pull trigger on handle. To operate in forward rotation, turn reverse valve toward forward arrow position. To operate in reverse, turn valve toward reverse arrow position.
2. This impact wrench is equipped with a regulator to enable adjustment of output power.

Maintenance

1. After first year, disassemble and inspect air motor and impacting clutch every three (3) months if the tool is used every day. Replace damaged or worn parts.
2. High wear parts are underlined in the parts list.
3. To keep downtime to a minimum, the following service kits are recommended:

Tune-Up Kit

CA131501 (Incl: 7, 24, 41, 55, 62, 68, 106, 107, 110, 111, 115, 118)

Clutch Housing Kit

CA144478 (Incl: 92, 113, 118)

EC DECLARATION OF CONFORMITY

We, Chicago Pneumatic Tool Co. LLC, 13325 Carowinds Blvd., Charlotte, NC 28273 USA, declare under our sole responsibility that the product to which this declaration relates, is in conformity with the requirements of the Council Directive of June 1998 on the approximation of the laws of the Member States relating to machinery (98/37/CE).

Machine Name CP797 Impact Wrench

Machine Type Assembly Power Tool for Threaded Fasteners

- No other use is permitted.

Serial No. Tools with No. 2009000P or higher

Technical Data

1" (25mm) Sq. Dr. Std.

Air pressure 90 psi (6.3 bar)

Air consumption 283 l/min (10 cfm)

Max. torque: 1898 Nm (1400 ft. lbs.)

Torque range: 203-1220 Nm (150-900 ft. lbs.)

Harmonized Standards Applied EN792-6

National Standards Applied ISO 8662-7, ISO 15744-2002

Name and Position of Issuer Bruno Blanchet, General Manager

Signature Of Issuer 

Date of Issue March 15, 2009

Noise & Vibration Declaration*

Sound pressure level 110 dB(A) impacting, uncertainty 3 dB(A), in accordance with ISO

15744-2002. For sound power, add 11 dB(A).

Vibration value 7.6 m/s², re. ISO 8662-7.

For making estimates of daily vibration exposures, useful information may be found in CEN/TR 15350: 2006, "Mechanical vibration - Guideline for the assessment of exposure to hand-transmitted vibration using available information including that provided by manufacturers of machinery"

*These declared values were obtained by laboratory type testing in compliance with the stated standards and are not adequate for use in risk assessments. Values measured in individual work places may be higher than the declared values. The actual exposure values and risk of harm experienced by an individual user are unique and depend upon the way the user works, the workpiece and the workstation design, as well as upon the exposure time and the physical condition of the user. We, Chicago Pneumatic, cannot be held liable for the consequences of using the declared values, instead of values reflecting the actual exposure, in an individual risk assessment in a work place situation over which we have no control.



⚠ WARNING

To reduce risk of injury, everyone using, installing, repairing, maintaining, changing accessories on, or working near this tool must read and understand these instructions before performing any such task.

2

The goal of Chicago Pneumatic Tool Co. LLC is to produce tools that help you work safely and efficiently. The most important safety device for this or any tool is YOU. Your care and good judgment are the best protection against injury. All possible hazards cannot be covered here, but we have tried to highlight some of the important ones.

For Additional Safety Information Consult:

- ▲ Your employer, union and/or trade association.
- ▲ US Department of Labor (OSHA); www.osha.gov; Council of the European Communities europe.osha.eu.int
- ▲ "Safety Code For Portable Air Tools" (B186.1) available from: www.ansi.com
- ▲ Safety Requirement for Hand-Held Non-Electric Power Tools available from: European Committee for Standardization, www.cenorm.be

Air Supply And Connection Hazards

- ▲ Air under pressure can cause severe injury.
- ▲ Always shut off air supply, drain hose of air pressure and disconnect tool from air supply when not in use, before changing accessories or when making repairs.
- ▲ Never direct air at yourself or anyone else.
- ▲ Whipping hoses can cause serious injury. Always check for damaged or loose hoses and fittings.
- ▲ Do not use quick disconnect couplings at tool. See instructions for correct setup.
- ▲ Whenever universal twist couplings are used, lock pins must be installed.
- ▲ Do not exceed maximum air pressure of 90 psi/6.3 bar or as stated on tool nameplate.

Entanglement Hazards

- ▲ Keep away from rotating drive.
- ▲ Do not wear jewelry or loose clothing.
- ▲ Scalping can occur if hair is not kept away from the tool and accessories.
- ▲ Choking can occur if neckwear is not kept away from the tool and accessories.
- ▲ Avoid direct contact with accessories during and after use. Gloves will reduce the risk of cuts or burns.
- ▲ Use only proper accessory retainers (see parts list).

Projectile Hazards

- ▲ Always wear impact-resistant eye and face protection when involved with or near the operation, repair or maintenance of the tool or changing accessories on the tool.
- ▲ Be sure all others in the area are wearing impact-resistant eye and face protection.
- ▲ Even small projectiles can injure eyes and cause blindness.
- ▲ Use only impact wrench sockets and accessories in good condition. Sockets in poor condition or hand sockets and accessories used with impact wrenches can shatter.
- ▲ Always use the simplest hook-up possible. Long, springy extension bars and adapters absorb impact power and could break. Use deep sockets wherever possible.
- ▲ Never operate the tool off of the work. It may run too fast and

cause the accessory to be thrown off the tool.

- ▲ Serious injury can result from over-torqued or under-torqued fasteners, which can break, or loosen and separate. Released assemblies can become projectiles. Assemblies requiring a specific torque must be checked using a torque meter.

Note: So-called "click" torque wrenches do not check for potentially dangerous over-torque conditions.

Workplace Hazards

- ▲ Slip/Trip/Fall is a major cause of serious injury or death. Be aware of excess hose left on the walking or work surface.
- ▲ Maintain a balanced body position and secure footing.
- ▲ High sound levels can cause permanent hearing loss. Use hearing protection as recommended by your employer or OSHA regulation (see 29 CFR part 1910).
- ▲ Be in control of the throttle at all times. Do not get caught between the tool and the work.
- ▲ Repetitive work motions, awkward positions and exposure to vibration can be harmful to hands and arms. If numbness, tingling, pain or whitening of the skin occurs, stop using tool and consult a physician.
- ▲ Avoid inhaling dust or handling debris from the work process which can be harmful to your health. Use dust extraction and wear respiratory protective equipment when working with materials which produce airborne particles.
- ▲ Proceed with care in unfamiliar surroundings. Be aware of potential hazards created by your work activity. This tool is not insulated for coming into contact with electric power sources.
- ▲ Some dust created by power sanding, sawing, grinding, drilling and other construction activities contains chemicals known to the State of California to cause cancer and birth defects or other reproductive harm. Some examples of these chemicals are:
 - Lead from lead based paints
 - Crystalline silica bricks and cement and other masonry products
 - And Arsenic and chromium from chemically-treated rubber

Your risk from these exposures varies, depending on how often you do this type of work. To reduce your exposure to these chemicals: work in a well ventilated area, and work with approved safety equipment, such as dust masks that are specially designed to filter out microscopic particles.

Additional Safety Topics

- ▲ This tool and its accessories must not be modified.
- ▲ This tool is not recommended for use in explosive atmospheres.
- ▲ Operators and maintenance personnel must be physically able to handle the bulk, weight and power of the tool.
- ▲ For professional use only.

SAFETY INSTRUCTIONS

DO NOT DISCARD - GIVE TO USER