



M1-G HVLP GRAVITY FEED GUN/CUP

Order No.
901210
Model No.
6924-0000-0

- Includes:**
- 1.4 mm fluid tip
 - 900cc aluminum cup with push-on lid
 - Spray gun lube, fluid filter, gun hook



* Waterborne compatible when using a plastic or disposable cup system.



BINKS

Proven Performance

Low air volume requirements

Quality finishes with low to medium solids materials

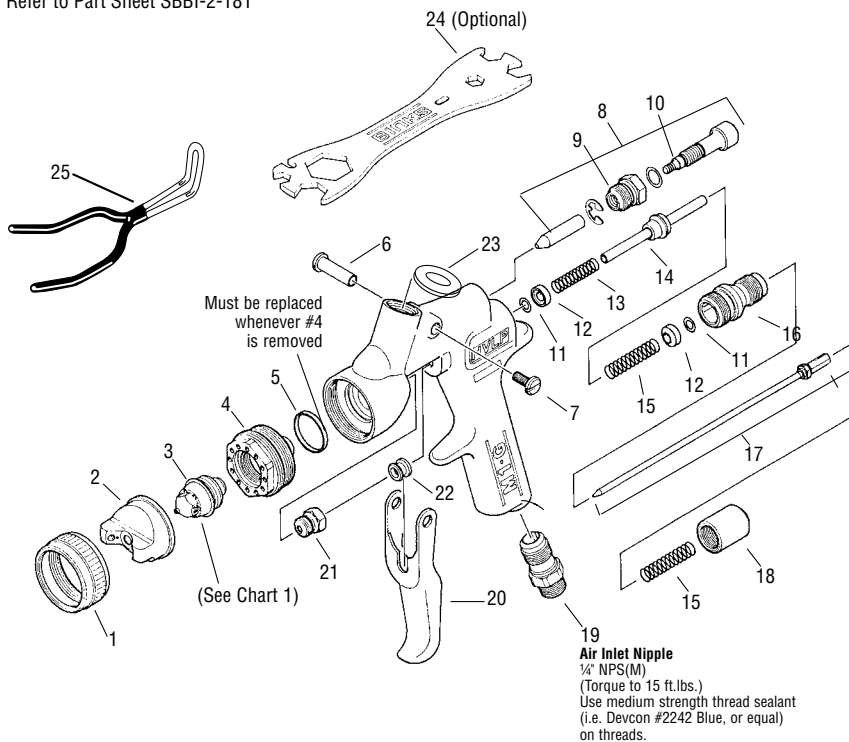
M1-G HVLP Gravity Feed Gun

Order No. Model No.	Type	Fluid Tip (mm)	Inlet Pressure	Application
901210 6924-0000-0 (94 x 93P)	HVLP	1.4	18 PSI	Base coats, clearcoats, single stages, waterbornes

M1-G Gravity Feed HVLP Air Cap

93P air cap	Base coats, clearcoats, single stage, waterbornes (when used with GFC-501 or disposable paint cup system) Air Cap Order No. 900361 Air Cap Model No. 46-9300 10 CFM @ 18 PSI inlet	Air Cap Pattern 10"
Fluid tips	1.2 mm (92), 1.3 mm (93), 1.4 mm (94) , 1.7 mm (97) (Included tip sizes shown in bold)	

Refer to Part Sheet SBBI-2-181



Ref. No.	Order No.	Model No.	Description	Ind. Parts Req.
1	900636	54-3531	Retaining Ring	1
2	900361	46-9300	Air Nozzle	1
3	See Chart 1†		Fluid Nozzle	1
4	900848†	54-4368†	Head Insert	1
▲5	900850	54-4369-5	Head Insert Seal Ring (Kit of 5)	1
●6	—	—	Trigger Stud	1
●7	—	—	Trigger Screw	1
8	900843†	54-4364†	Side Port Control Assembly	1
▲9	—	—	Retaining Ring	1
10	—	—	O-Ring	1
▲★11	—	—	O-Ring	2
★12	—	—	Seal Retainer	2
▲13	—	—	Spring, Yellow	1
▲14	900623	54-3512	Spindle Assembly	1
▲15	—	—	Spring, Blue	2
16	900640†	54-3541†	Housing	1
17	900858	54-4382	ABSS Needle	1
18	900659	54-3606	Material Valve Control Knob	1
19	900990†	54-768†	Air Connection	1
20	900841	54-4360	Trigger	1
▲21	900851	54-4370	Seal Cartridge Assembly	1
●22	—	—	Valve Spindle Cap	1
▲23	192151	KGP-13-K5	Cup Gasket (Kit of 5)	1
24	900712	54-3918	Wrench (Optional)	1
25	192219	192219	Gun Holder, Coated	1

▲ Gun Repair Kit 900847 (54-4367-1)

Ref. No.	Description	Qty.
5	Seal	1
9	Retaining Ring	1
10	O-Ring	1
11	O-Ring	2
13	Spring, Yellow	1
14	Spindle	1
15	Spring, Blue	2
21	Seal Cartridge	1

● Screw, Stud & Cap Kit 900925 (54-5223)

Ref. No.	Description	Qty.
6	Trigger Stud	1
7	Trigger Screw	1
22	Valve Spindle Cap	1

★ O-Ring & Retainer Kit 900926 (54-5224)

Ref. No.	Description	Qty.
11	O-Ring	2
12	Seal Retainer	2

† Torquing Information

Ref. No.	Description	Qty.
3	Fluid Nozzle	10–12 Ft. Lb.
4	Head Insert	20–23 Ft. Lb.
8	Side Port	4–6 Ft. Lb.
16	Housing	15–17 Ft. Lb.
19	Air Connection	15–17 Ft. Lb.

Chart 1

No.	Fluid Nozzle Order No.	Tip Size I.D. in.	mm
93	900313 (45-9300)	.052	1.3
94	900314 (45-9400)	.055	1.4
95	900318 (45-9500)	.059	1.5
97	900321 (45-9700)	.070	1.8