

Suction Feed Cups

DeVilbiss Suction Feed Cups

Order No.	Model No.	Cup Size	Application
120011	TGC-545	1 qt. Aluminum	All full size current Binks, DeVilbiss and FinishLine suction guns
120038	TGS-503	8 oz. Polyethylene	DeVilbiss EGA & EGHV Suction touch-up gun

Durable Detail Suction Cup



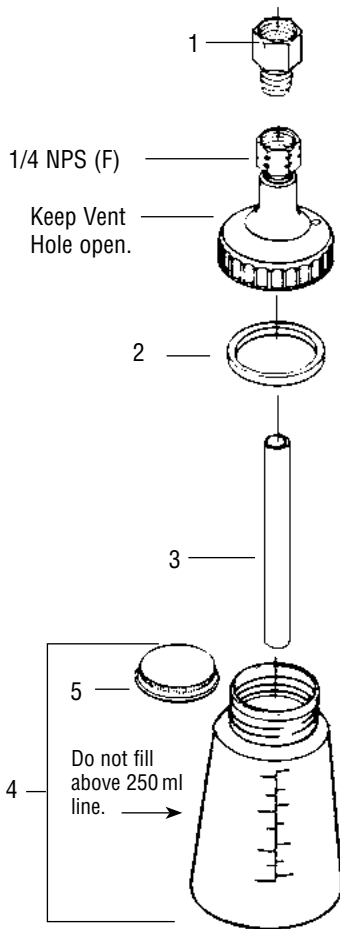
Patented "Drip Free Design"

One Quart Plus Capacity (37 oz.)



Refer to Service Bulletins: SB-4-391 (TGC-545) and SB-4-090 (TGS-503)

120038 (TGS-503)

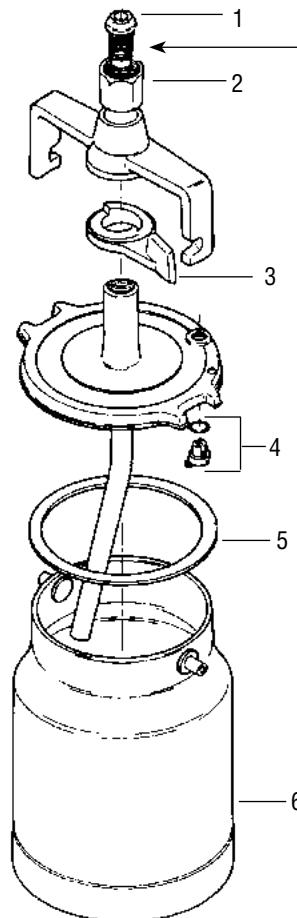


TGS-503 Suction Cup Parts

Ref. No.	Order No. Model No.	Description	Ind. Parts Req.
1	240003 AD-404	Adapter – Accessory 1/4" NPS(M) x 3/8" NPS(F)	1
2	190512 TGS-4-K5	Gasket (Kit of 5)	1
3		Fluid Tube 4"	1
+4	120037 TGS-406	Cup and Cover Assembly (Polyethylene)	1
5		Cup Lid	1
6		Suction Cup Assembly (Quart)	1

+ One C-422 (6) cup lid is included.

120011 (TGC-545)



TGC-545 Suction Cup Parts

Ref. No.	Order No. Model No.	Description	Ind. Parts Req.
1		Adapter, 1/2" NPS (M)	1
2		Nut, 3/8" NPS (F)	1
3		Cam	1
4	190924 TGC-407-1-K3	Drip Free Valve & Gasket (Kit of 3)	1
5	190391 TGC-9-K5	*Tri Seal® Lid Gasket (Kit of 5)	1
6		Suction Cup Assembly (Quart)	1

● 190925 (KK-5007) Repair Kit includes items 1–5. Repair kit contains enough parts to repair one complete assembly (see parts list below).

Suffixes: Suffix -K3 designates a kit of multiple parts. Example: TGC-407-1-K3 is a kit of 3 drip free valves.

* Registered Trademark of Tri-Seal International

● **Repair Kit 190925 (KK-5007)**

Ref. No.	Description	Qty.
1	Adapter, 1/2" NPS (M)	1
2	Nut, 3/8" NPS (F)	1
3	Cam	1
4	Drip Free Valve & Gasket	1
5	*Tri-Seal® Lid Gasket	1