

Quick Reference Chart

Kit#	Spray Gun Repair Kits
6-188	7 Con Suc
6-229	2001 Con. Suc/Press HVLP/ 69/ 2100
54-3605	MACH 1 HVLP Press
54-4367-1	M1G
702732	TEKNA/SRIPro Air Valve Kit
702736	TEKNA/SRIPro
703530	TEKNA ProLite Air Valve Kit
703536	TEKNA
802425	StartingLine Full Size
802426	StartingLine Touchup
DGR-121K	DAGR Airbrush
DGR-18-K5	DAGR Airbrush
FLG-488	FLG 3
FLG4-488-K	FLG 4
GTI-428-K5	GTI, JGA
KK-4987-2	JGA-502,503,510 & JGHV-530 & 531
KK-5044	EGA/EGHV
KK-5058-2	GTI, PLUS, PRI, JGA-504
SPK-101-K	CVI Air Valve Kit
SPK-402-K	CVI
SRI-426	SRI
Kit#	Cup Repair Kits
80-353	80-350 & 80-351 SG2
KK-5007	TGC/TLC
Kit#	Cup Gaskets
80-11-5	80-228
803615	StartingLine Cup Fitting Gasket Kit
KB-80-K5	KB-555
KGP-13-K5	GTI/FinishLine (Blue) GFC-502, 504 & 501, PLUS, PRI, FLG 3, FLG 4
TGC-9-K5	TGC-545, TLC-555, 82-545 & 82-555
TGS-4-K5	TGS
Kit#	Gravity Cup Liners
OMX-70-K48	Any 20 oz., 1 qt. or 1 liter
Kit#	Spray Gun Strainers
81-82	Fluid Strainer Assy 145 mesh WHITE
81-83	Fluid Strainer Assy 100 mesh BLUE
81-84	Fluid Strainer Assy 80 mesh RED
Kit#	Hose Sets
KB-4006	6ft Air/Fluid Hose Set
Kit#	Fluid Regulator Repair
KK-4456	HGS series

Kit#	Air Regulator Repair
6-207	85-214/85-215
KB-428-1	HARG-510
KK-4139-3	HAR-502/HAR-505
KK-4977	HAR-507/HAR-511
KK-5088	130525/HAR-602/HAR-605/HAR-680
130521	130516
Kit#	Agitator Air Motor
KK-5001-1	QS-5001 (Air Motor)
Kit#	Tank Gaskets
83-1419	Old 2 gal. Non-ASME Santoprene
83-1420	Old 5 gal. ASME Galv Santoprene
PT-33-1	83C series
QMS-80-1	83G series
QM-1458-1	Old 5, 10 / 9.8 gal. ASME Santoprene
Kit#	Liners ASME Gal (Zinc Plated) Tanks
6-238-60	83-55xx (2 gal.)
6-239	83-54xx (5 gal.)
PT-52	83C series
PT-52-K60	83C series
PTL-406-K20	QMGT-55, 83G-520, 183G-520
PTL-410-K8	QMGT-51xxxx
Kit#	Disp. Anti-Stat Polyethylene Liners
80-356	80-350/80-351 2 qt.
KK-5051	KB-545-SS/ KB-555 2 qt.
Kit#	Air Control Replacement Elements
	See page 44 for Air Control Replacement Elements
Kit#	Waterborne Air Dryer
130531	Filters for 130530, 130529

StartingLine® HVLP Auto Painting GUN KITS



Specifications

Finish Coat & Primer Gun

30 PSI inlet pressure delivers 10 PSI air cap pressure at 13 CFM air volume

Detail Gun

30 PSI inlet pressure delivers 10 PSI air cap pressure at 8 CFM air volume

All Guns

Air inlet: 1/4" NPS

Order No.	Kit	Guns Included	Fluid Tip (mm)	Cup(s) Included	Accessories Included
802342	2-Gun Painting & Touch Up	Finish Coat Detail	1.3 1.0 1.8	One 600cc (20 oz.) One 250cc (8.5 oz.)	Cleaning brushes, wrench, air adjusting valve with gauge
802343	2-Gun Painting & Priming	Finish Coat Primer	1.3 1.5 1.8	Two 600cc (20 oz.)	Cleaning brushes, wrench, air adjusting valve with gauge
802789	3-Gun Painting	Finish Coat Primer Detail	1.3 1.8 1.0	Two 600cc (20 oz.) One 130cc (4 oz.)	Cleaning brushes, wrench, air adjusting valve with gauge
803485	2-Gun Primer Pack	Primer (2)	1.5 1.8	Three 3 oz. plastic, four 24 oz. liners & lids, one, frame/lid, two plugs	Extra 1.5 tip & needle, (2) DPC-81 adapters, wrench, filter, funnel
802405	Detail Gun only		1.0	One 250cc (8.5 oz.)	None



HVLP Finish Coat Spray Gun



HVLP Primer Spray Gun



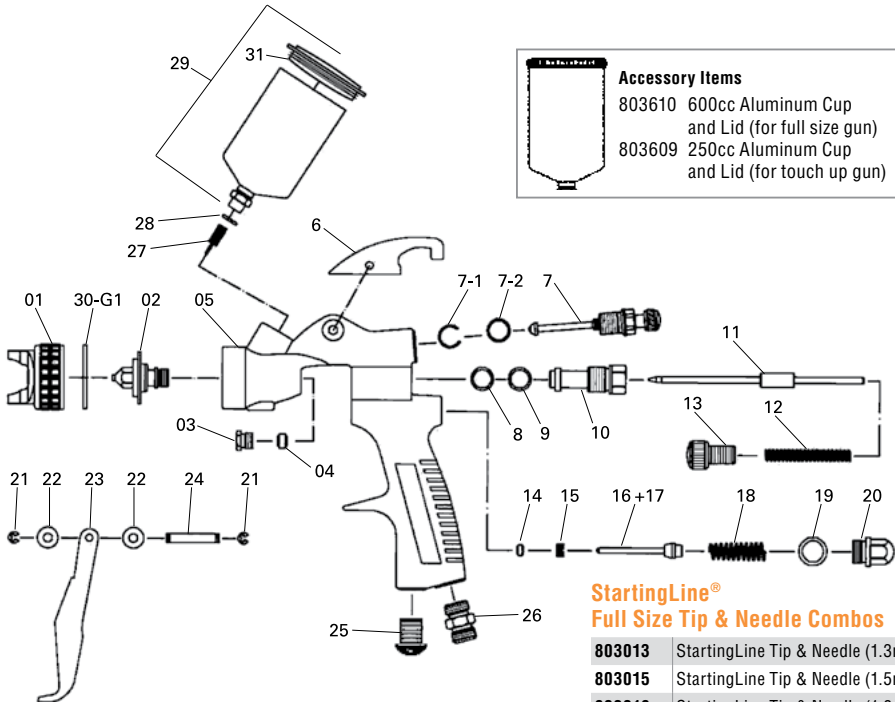
HVLP Detail Spray Gun



2-Gun Primer Pack

Detail gun also sold separately

Refer to Service Bulletins: SB-2-634, SB-2-610 and SI-2-61-10



StartingLine® Full Size Tip & Needle Combos

- 803013 StartingLine Tip & Needle (1.3mm)
- 803015 StartingLine Tip & Needle (1.5mm)
- 803018 StartingLine Tip & Needle (1.8mm)

- Gun Repair Kit Full Size (802425) Touchup (802426)
- ▲ Cup Fitting Gasket Kit Full Size and Touchup (803615)

Ref. No.	Part No.	Description	Ind. Parts Req.
1	—	Air Cap W/Ring	1
2	—	Fluid Nozzle	1
●3	—	Nut	1
●4	—	Gasket	1
5	—	Gun Body	1
6	—	Hook	1
7	—	Fan Control	1
●7-1	—	C-Clip	2
●7-2	—	O-Ring	2
●8	—	Gasket	1
●9	—	O-Ring	1
10	—	Housing	1
11	—	Paint Needle	1
●12	—	Spring	1
13	—	Knob, Fluid Control	1
●14	—	Gasket	1
●15	—	Screw	1
●16+17	—	Valve Stem Complete	1
●18	—	Spring	1
●19	—	O-Ring	1
20	—	Air Valve Nut	1
●21	—	E-Ring	2
22	—	Washer	2
23	—	Trigger	1
●24	—	Trigger Stud	1
25	—	Plug	1
26	—	Air Inlet Fitting	1
27	—	Filter	1
●▲28	—	Gasket for Fitting	2
29	803610	600cc Alum. Cup & Lid	1
	803609	250cc Alum. Cup & Lid	1
●30-G1	—	Gasket for Air Cap	1
31	803591	600cc Push-In Lid	2
	803590	250cc Push-In Lid	2