

CAMAIR QC3 FILTER AND DRYER UNIT



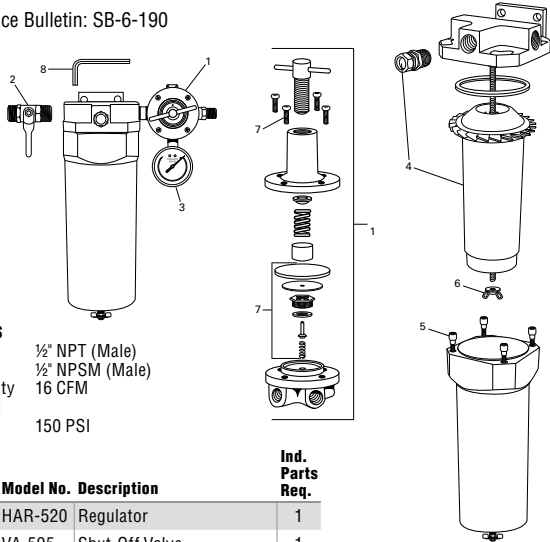
A Great Choice for Light Usage such as Low Volume Shops, Restorers, Customizers, and Hobbyists

- Three-stage filtering with 0.1 micron rating produces clean, oil- and humidity-free air.
- High performance filtration with only 2 PSI pressure drop.
- Quick change filter cartridge is easy to maintain. Bowl removal tool included.
- Larger filter media and longer life desiccant than disposable dryers
- Install at point of use

Order No.	Description
130525	Desiccant Filter and Dryer Unit
130524	QC3 Filter and Desiccant Cartridge Replacement



Refer to Service Bulletin: SB-6-190



SPECIFICATIONS

Air Inlet	½" NPT (Male)
Air Outlet	½" NPSM (Male)
Air Flow Capacity	16 CFM
Max. Operating Pressure	150 PSI

Ref. No.	Order No.	Model No.	Description	Ind. Parts Req.
1	130100	HAR-520	Regulator	1
2	802188	VA-595	Shut-Off Valve	1
3	192314	GA-375	Pressure Gauge	1
4	130524	130524	Cartridge, Dryer Filter*	1
5	Purchase Locally		Socket Head Screw, 1/4-20 @ 3/4	4
6	Purchase Locally		Wingnut, 1/4-20	1
7	802112	KK-5088	Regulator Repair Kit	1
8	Purchase Locally		5mm Hex Key Wrench	1

*Cartridge includes indicator window & humidity paper

FinishLine® AIR CONTROL UNIT



Includes:

- 5 micron particle filter
- Mounting bracket
- Regulator and gauge

The Value Leader

- Removes moisture and dirt
- Regulates air pressure

Order No.	Model No.	Description
130099	HAR-602	120 CFM air line filter w/ 50 CFM regulator
192315	HAF-39	120 CFM Filter element and gasket kit
803643	HAR-680	80 CFM air control unit with 50 CFM regulator
803641	HAF-47	80 CFM Filter element and gasket kit

ACCESSORIES

192314 / GA-375
Gauge for HAR-520 regulator



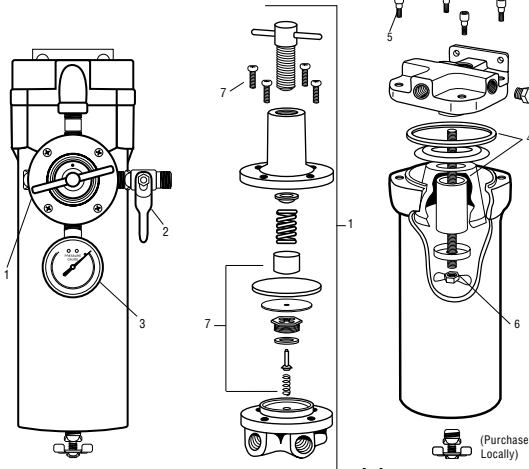
192315 / HAF-39
HAR-602 Element Kit



130100 / HAR-520
50 CFM regulator for HAR-602



Refer to Service Bulletin: SB-6-180



Ref. No.	Order No.	Model No.	Description	Ind. Parts Req.
1	130100	HAR-520	Regulator	1
2	240160	VA-594	Shut-Off Valve	1
3	192314	GA-375	Pressure Gauge	1
4	192315	HAF-39	Element & Gasket Kit	1
5	Purchase Locally		Socket Head Screw, 1/4-20 x 3/4	4
6	Purchase Locally		Wingnut, 1/4-20	1
7	802112	KK-5088	Regulator Kit	1

SPECIFICATIONS

Air Inlet	½" NPT (female)
Air Outlet	¼" NPS (male)
Air Capacity	120 CFM filter 50 CFM regulator
Max. Pressure	150 PSI
Max. Temperature	150°F (65.6°C)
Filter Size	5 micron