

TEKNA® Clearcoat

THE NEW STANDARD FOR CLEARCOAT APPLICATION



Includes:

- TE25 (High Efficiency) and HV30 (HVLV) air caps
- Multiple fluid tips
- Digital Gauge with air adjusting valve (HAV-555)
- Gun wrench and color ID rings



Waterborne compatible when using a plastic or disposable cup system.



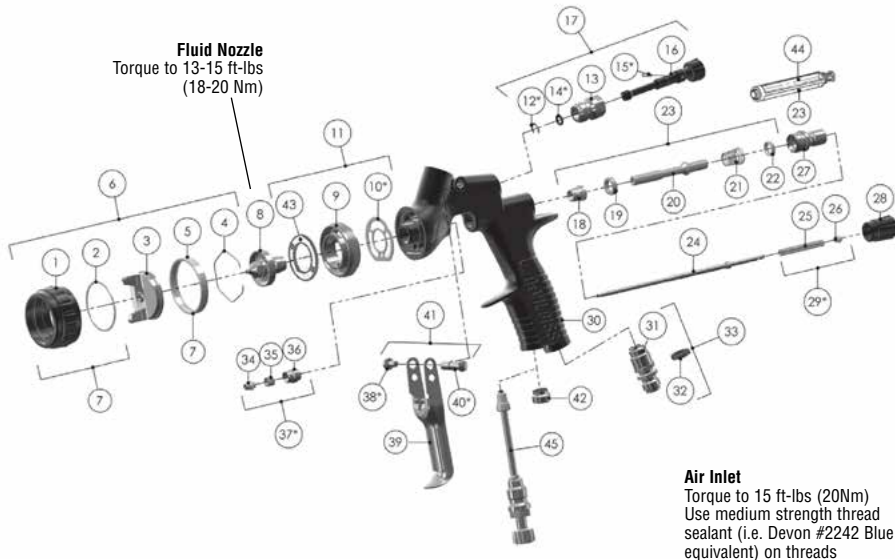
Refer to Technical Bulletin: TB-1026

Order No.	Fluid Tips	Cup	Air Caps
704198	1.2, 1.3 & 1.4mm	Uncupped	TE25 (HE) & HV30 (HVLV)

* Uncupped guns include disposable cups adapter

TEKNA® Clearcoat Air Caps

TE25 air cap (HE)	Suitable for all types of clearcoats Air Cap Order/Model No. 704200 11 – 13 CFM @ 22 – 29 PSI inlet	Air Cap Pattern 12-13"
HV30 air cap (HVLV)	Clearcoats Air Cap Order/Model No. 703540 13 – 15 CFM @ 20 – 24 PSI inlet	Air Cap Pattern 13-14"
Fluid Tips	1.2mm, 1.3mm, 1.4mm, 1.5mm	



Fluid Nozzle
Torque to 13-15 ft-lbs
(18-20 Nm)

Air Inlet
Torque to 15 ft-lbs (20Nm)
Use medium strength thread sealant (i.e. Devon #2242 Blue or equivalent) on threads

CHART 1 Air Cap Replacement Parts

Air Cap Order No.	Application	Air Cap No.	Recommended Inlet Pressure BAR/PSI	Air Flow LPM/SCFM
704200	Clearcoats	TE25	1.5–2.0 bar 22–29 psi	311 – 368 LPM 11 – 13 SCFM
704206	Clearcoats	HV30	1.4–1.6 bar 20–24 psi	368 – 424 LPM 13 – 15 SCFM

CHART 2 Fluid Nozzles

Fluid Nozzle Order No.	No. on Fluid Nozzle	Tip Size (mm)
703521	PRO-200-12	1.2
703522	PRO-200-13	1.3
703523	PRO-200-14	1.4
703589	PRO-200-15	1.5

SERVICE PARTS

Spray Gun repair kit (includes items marked *)	703536
Seal and Pin Kit, kit of 5 (items 12, 14 and 15)	192229

Ref #	Description	Part #	Qty
1	Air Cap Retaining Ring		1
2	Slip Ring		1
3	Air Cap		1
4	Air Cap Retaining Clip	191972	1
5	Retaining Ring Seal		1
6	Air Cap & Ring	Chart 1	1
7	Air Cap Retaining Ring & Seals	703896	1
8	Fluid Nozzle	Chart 2	1
9	Spray head		1
*10	Spray head Seal	702726	1
11	Spray head kit	703529	1
*12	Circlip		1
13	Valve Body		1
*14	O Ring		1
*15	Spreader Valve Pin		1
16	Spreader Valve Adjusting Knob		1
17	Spreader Valve Assembly	703898	1
18	Front Valve Seal		1
19	Valve Seat		1
20	Spindle		1
21	Air Valve Spring		1
22	Rear Valve Seal		1
23	Air Valve Kit	703530	1
24	Fluid Needle	Chart 2	1
25	Needle Spring		1
26	Spring Pad		1
27	Housing & Seal Kit	703532	1
28	Fluid Adjusting Knob	704163	1
*29	Needle Spring Kit	703534	1
30	Gunbody		1
31	Air Inlet		1
32	Colour ID Ring Kit (4 Colours)	702735	1
33	Air Inlet Kit	702734	1
34	Needle Packing		1
35	Packing Spring		1
36	Packing Nut		1
*37	Packing, Spring and Packing Nut Kit	702731	1
*38	Trigger Screw		1
39	Trigger		1
*40	Trigger Stud		1
41	Trigger Stud & Screw Kit	703535	1
42	Plug		1
43	Baffle Plate	704162	1
44	Air Valve Service Tool (only included in the Air Valve Kit 23)		1
45	Cheater Valve (optional)	704164	1

TEKNA® Primer

THE ULTIMATE IN PRIMER SPRAY GUN TECHNOLOGY



- Includes:**
- PR10 (High Efficiency) and PR30 (HVLV) Air Caps
 - 900cc Aluminum Cup
 - Gun wrench



Waterborne compatible when using a plastic or disposable cup system.



Order No.	Fluid Tips	Cup	Air Caps
704174	1.4, 1.6mm	900cc Aluminum	PR10 (HE) & PR30 (HVLV)
704175	1.8, 2.0mm	900cc Aluminum	PR10 (HE) & PR30 (HVLV)
704182	2.5mm	900cc Aluminum	PR10 (HE) & PR30 (HVLV)

TEKNA® Primer Air Caps

Air Cap	Primer	Order/Model No.	Flow	Pressure	Air Cap Pattern
PR10 air cap (HE)	Primer including low VOC	704165	12.0 CFM	@ 29.0 PSI inlet	10½"-12"
PR30 air cap (HVLV)	Primer including low VOC	704166	16.0 CFM	@ 21.0 PSI inlet	11-13"
Fluid Tips	1.4mm, 1.6mm, 1.8mm, 2.0mm, 2.5mm				

Accessories (sold separately)

Order No.	Model No.	Description
704245	PRIPRO-219-UV1-K	UV1 Fluid Tip
704246	PRIPRO-219-UV2-K	UV2 Fluid Tip
704247	PRIPRO-319-K	UV Fluid Needle
704240	GFC-515	Black Polyester UV Gravity Cup
704241	PRO-46-K3	Protective Air Cap Cover (pack of 3)



Refer to Technical Bulletin: TB-1024

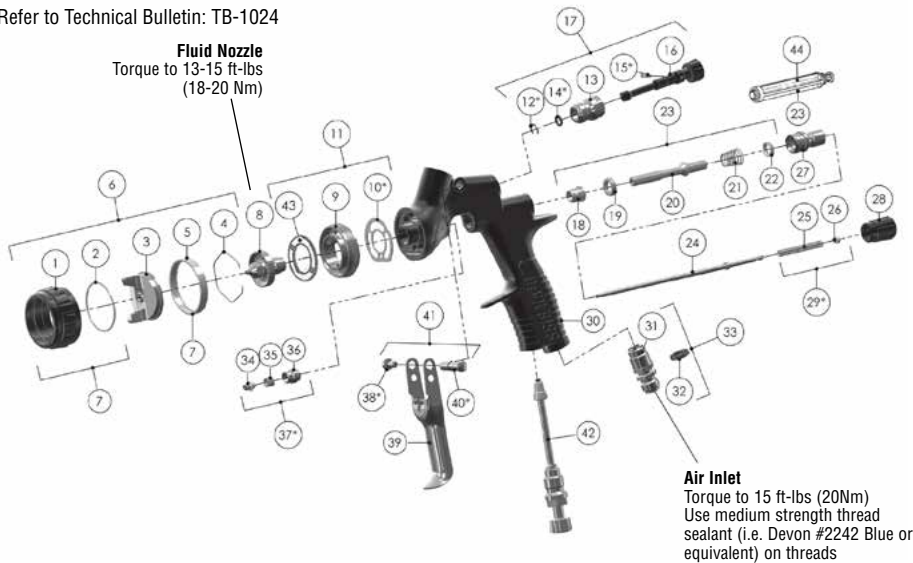


CHART 1 Air Cap Replacement Parts

Air Cap Order No.	Application	Air Cap No.	Recommended Inlet Pressure BAR/PSI	Air Flow LPM/SCFM
704165	Primers, including low VOC	PR10	1.8-2.0 bar 26-29 psi	311 - 340 LPM 11 - 12 SCFM
704166	Primers, including low VOC	PR30	1.2-1.4 bar 17-21 psi	396 - 453 LPM 14 - 16 SCFM

CHART 2 Fluid Nozzles

Fluid Nozzle Order No.	No. on Fluid Nozzle	Tip Size (mm)
704168	PRIPRO-220-14	1.4
704169	PRIPRO-220-16	1.6
704170	PRIPRO-220-18	1.8
704171	PRIPRO-220-20	2.0
704172	PRIPRO-220-25	2.5

SERVICE PARTS

Spray Gun repair kit (includes items marked *)	703536
Seal and Pin Kit, kit of 5 (items 12, 14 and 15)	192229

Ref #	Description	Part #	Qty
1	Air Cap Retaining Ring		1
2	Slip Ring		1
3	Air Cap		1
4	Air Cap Retaining Clip	191972	1
5	Retaining Ring Seal		1
6	Aircap & Ring	Chart 1	1
7	Air Cap Retaining Ring & Seals	703896	1
8	Fluid Nozzle	Chart 2	1
9	Spray head		1
*10	Spray head Seal	702726	1
11	Spray head kit	703529	1
*12	Circlip		1
13	Valve Body		1
*14	O Ring		1
*15	Spreader Valve Pin		1
16	Spreader Valve Adjusting Knob		1
17	Spreader Valve Assembly	703898	1
18	Front Valve Seal		1
19	Valve Seat		1
20	Spindle		1
21	Air Valve Spring		1
22	Rear Valve Seal		1
23	Air Valve Kit	703530	1
24	Fluid Needle	Chart 2	1
25	Needle Spring		1
26	Spring Pad		1
27	Housing & Seal Kit	703532	1
28	Fluid Adjusting Knob	704163	1
*29	Needle Spring Kit	703534	1
30	Gunbody		1
31	Air Inlet		1
32	Colour ID Ring Kit (4 Colours)	702735	1
33	Air Inlet Kit	702734	1
34	Needle Packing		1
35	Packing Spring		1
36	Packing Nut		1
*37	Packing, Spring and Packing Nut Kit	702731	1
*38	Trigger Screw		1
39	Trigger		1
*40	Trigger Stud		1
41	Trigger Stud & Screw Kit	703535	1
42	Cheater Valve (optional)	702737	1
43	Baffle Plate	704162	1
44	Air Valve Service Tool (only included in the Air Valve Kit 23)		1

TEKNA® ProLite BASECOAT/CLEARCOAT GRAVITY FEED SPRAY GUNS



Includes:

- HAV-555 air adjusting valve with digital gauge
- Gun wrench
- Color identification rings
- Additional fluid tips
- QuickClean™ coating

EPA and SCAQMD Approved

EPA Compliant. Approved in most HVP areas.

Waterborne compatible when using a plastic or disposable cup system.

Order No.	Fluid Tips	Cup	Air Caps
703517*	1.3, 1.4, 1.5mm	Uncupped	TE20, HV30
703567*	1.2, 1.3, 1.4mm	Uncupped	TE10, TE20
703566	1.2, 1.3, 1.4mm	900cc Aluminum	TE10, TE20

* Uncupped guns include disposable cups adapter

TEKNA® ProLite Air Caps

HV30 air cap (HVLP)	Basecoats, clearcoats Air Cap Order/Model No. 703540 14.5-16.5 CFM @ 20-24 PSI inlet for HVLP approved areas	Air Cap Pattern 13-14"
TE10 air cap (HE)	Basecoats, low solids clearcoats Air Cap Order/Model No. 703538 7.5-11.0 CFM @ 20-35 PSI inlet	Air Cap Pattern 12-13"
TE20 air cap (HE)	Basecoats, high solids clearcoats Air Cap Order/Model No. 703539 9-12 CFM @ 16-26 PSI inlet	Air Cap Pattern 12-13"
Fluid Tips	1.2mm, 1.3mm, 1.4mm, 1.5mm	



Refer to Technical Bulletin: TB-1008

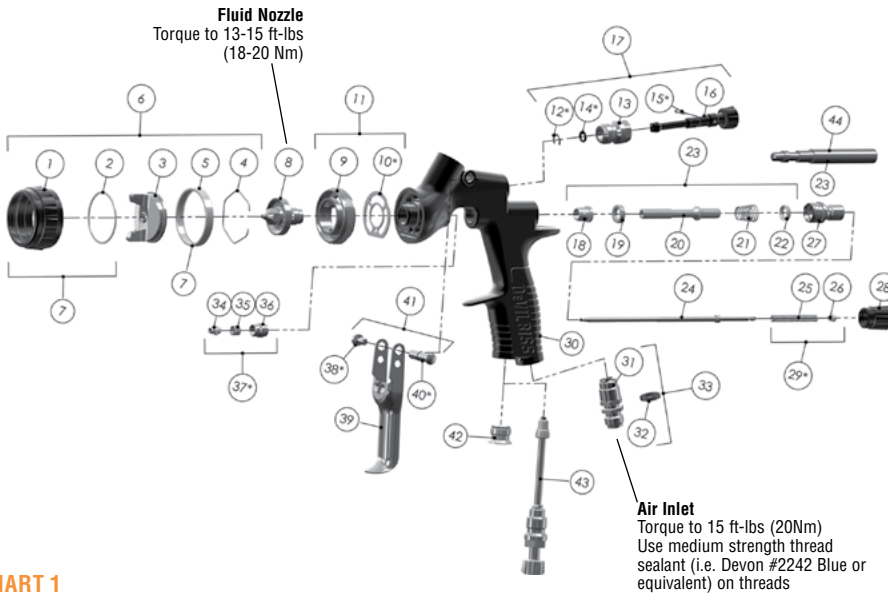


CHART 1
Air Cap Replacement Parts

Air Cap Order No.	Application	Air Cap No.	Recommended Inlet Pressure BAR/PSI	Air Flow LPM/SCFM
703540	Basecoats Clearcoats	HV30	1.4-1.6 bar 20-24 psi	411-467 LPM 14.5-16.5 CFM
703538	Basecoats, low solids clearcoats	TE10	1.4-2.4 bar 20-35 psi	212-311 LPM 7.5-11.0 CFM
703539	Basecoats, high solids clearcoats	TE20	1.1-1.8 bar 16-26 psi	255-340 LPM 9-12 CFM

CHART 2
Fluid Nozzles

Fluid Nozzle Order No.	No. on Fluid Nozzle	Tip Size (mm)
703521	PRO-200-12	1.2
703522	PRO-200-13	1.3
703523	PRO-200-14	1.4
703589	PRO-200-15	1.5

Ref #	Description	Part #	Qty
1	Air Cap Retaining Ring		1
2	Slip Ring		1
3	Air Cap		1
4	Air Cap Retaining Clip	191972	1
5	Retaining Ring Seal		1
6	Aircap & Ring	Chart 1	1
7	Air Cap Retaining Ring & Seals	702725	1
8	Fluid Nozzle	Chart 2	1
9	Spray head		1
*10	Spray head Seal	702726	1
11	Spray head kit	703529	1
*12	Circlip		1
13	Valve Body		1
*14	O Ring		1
*15	Spreader Valve Pin		1
16	Spreader Valve Adjusting Knob		1
17	Spreader Valve Assembly	702730	1
18	Front Valve Seal		1
19	Valve Seat		1
20	Spindle		1
21	Air Valve Spring		1
22	Rear Valve Seal		1
23	Air Valve Kit	703530	1
24	Fluid Needle	703531	1
25	Needle Spring		1
26	Spring Pad		1
27	Housing & Seal Kit	703532	1
28	Fluid Adjusting Knob	703533	1
*29	Needle Spring Kit	703534	1
30	Gunbody		1
31	Air Inlet		1
32	Colour ID Ring Kit (4 Colours)	702735	1
33	Air Inlet Kit	702734	1
34	Needle Packing		1
35	Packing Spring		1
36	Packing Nut		1
*37	Packing, Spring and Packing Nut Kit	702731	1
*38	Trigger Screw		1
39	Trigger		1
*40	Trigger Stud		1
41	Trigger Stud & Screw Kit	703535	1
42	Plug		1
43	Cheater Valve (optional)	702737	1
44	Air Valve Service Tool (only included in the Air Valve Kit 23)		1

SERVICE PARTS

Spray Gun repair kit (includes items marked *)	703536
Seal and Pin Kit, kit of 5 (items 12, 14 and 15)	192229

TEKNA® ProLite

HIGH EFFICIENCY/HVLP PRESSURE FEED GUN



Includes:

- Multiple air caps and fluid tips
- HAV-512 analog gauge
- Gun wrench and color ID rings
- Lightweight ergonomic design



Waterborne compatible when using a plastic or disposable cup system.

Order No.	Fluid Tips	Air Cap
703663	1.0, 1.2, 1.4mm	TE40 & HV40

TEKNA® ProLite Pressure Feed Air Caps

Air Cap	Application	Air Cap Order No.	Air Cap Model No.	Air Cap Pattern
TE20 air cap (HE)	Low to medium solids coatings	703539	PRO-103-TE20	13-14"
TE40 air cap (HE)	Low to high solids coatings	703626	PRO-103-TE40	12-13"
HV40 air cap (HVLP)	Low to high solids coatings	703621	PRO-103-HV40	12-13"

Fluid Tips: 1.0mm, 1.2mm, 1.4mm



Refer to Technical Bulletin: TB-1014

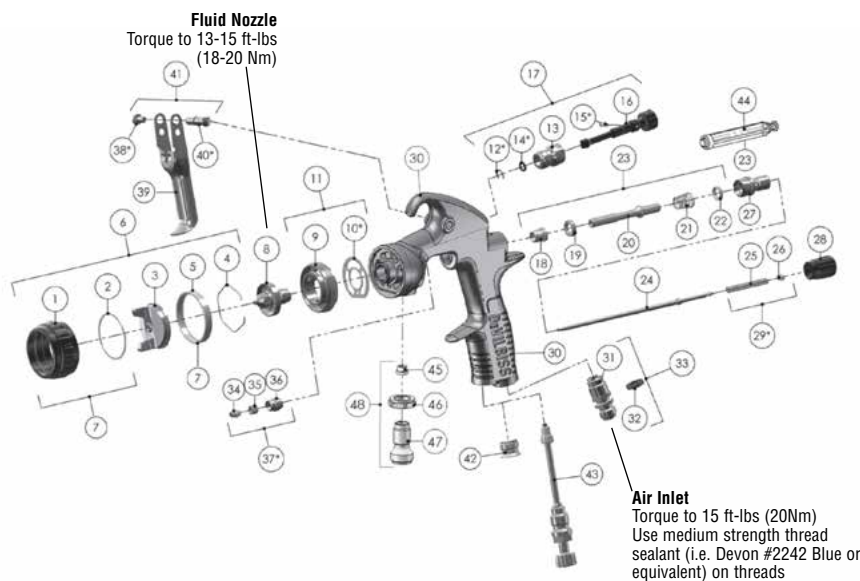


CHART 1
Air Cap Replacement Parts

Air Cap Order No.	Application	Air Cap No.	Recommended Inlet Pressure BAR/PSI	Air Flow LPM/SCFM
703539	Low to medium solids coatings	TE20	1.8–3.4 bar 26–50 psi	340–538 LPM 12–19 CFM
703626	Low to high solids coatings	TE40	2.0–3.4 bar 29–50 psi	368–538 LPM 13–19 CFM
703621	Low to medium solids coatings	HV40	1.2 bar 17 psi	297 LPM 10.5 CFM

CHART 2
Fluid Nozzles

Fluid Nozzle Order No.	No. on Fluid Nozzle
703627	PRO-205-10

SERVICE PARTS

Spray Gun repair kit (includes items marked *)	703536
Seal and Pin Kit, kit of 5 (items 12, 14 and 15)	192229

Ref #	Description	Part #	Qty
1	Air Cap Retaining Ring		1
2	Slip Ring		1
3	Air Cap		1
4	Air Cap Retaining Clip	191972	1
5	Retaining Ring Seal		1
6	Aircap & Ring	Chart 1	1
7	Air Cap Retaining Ring & Seals	702725	1
8	Fluid Nozzle	Chart 2	1
9	Spray head		1
*10	Spray head Seal	702726	1
11	Spray head kit	703529	1
*12	Circlip		1
13	Valve Body		1
*14	O Ring		1
*15	Spreader Valve Pin		1
16	Spreader Valve Adjusting Knob		1
17	Spreader Valve Assembly	703630	1
18	Front Valve Seal		1
19	Valve Seat		1
20	Spindle		1
21	Air Valve Spring		1
22	Rear Valve Seal		1
23	Air Valve Kit	703530	1
24	Fluid Needle	Chart 2	1
25	Needle Spring		1
26	Spring Pad		1
27	Housing & Seal Kit	703532	1
28	Fluid Adjusting Knob	703533	1
*29	Needle Spring Kit	703534	1
30	Gunbody		1
31	Air Inlet		1
32	Colour ID Ring Kit (4 Colours)	702735	1
33	Air Inlet Kit	702734	1
34	Needle Packing		1
35	Packing Spring		1
36	Packing Nut		1
*37	Packing, Spring and Packing Nut Kit	702731	1
*38	Trigger Screw		1
39	Trigger		1
*40	Trigger Stud		1
41	Trigger Stud & Screw Kit	703535	1
42	Plug		1
43	Cheater Valve (optional)	702737	1
44	Air Valve Service Tool (only included in the Air Valve Kit 23)		1
45	Seal		1
46	Lock Nut		1
47	Fluid Inlet		1
48	Fluid Inlet Kit	703631	1