
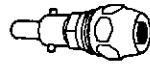
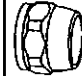










Hose Connections - Quick Detachable for Air Bayonet Lock Type

| Hose Size & Type | | | Hose Connection Valve Complete Connection Number | Maximum Complete Working Pressure | Identification Material of Construction | Hose Connector Stem Complete Connection | Maximum Working Pressure | Material Of Construction | Common Parts | |
|------------------|-----------|-------------------------|---|-----------------------------------|---|--|--------------------------|--------------------------|---|---|
| Hose I.D. | Size O.D. | Fits DeVilbiss Hose No. | | | | | | | Sleeve Only | Ring Only |
| | | |  | | |  | | |  |  |
| 1/4" | 1/2" | H-1900 H-1957 | HC-418 | 250 | Aluminum | NA | NA | NA | HC-267-K3 | HC-20-K10 |
| 5/16" | 5/8" | H-1901 H-1921 | HC-419 | 250 | Aluminum | HC-461 | 250 | Brass, Plated | HC-268 | HC-12-K10 |




Swivel Type Thread Attachment

|  | | | | | | |
|--|----------------------------|--------------------------|--------------------------------------|----------------------------------|--------------------------|---|
| Thread Size And Type | Threaded Connection Valve | Maximum Working Pressure | Material of Construction | Threaded Connector Stem | Maximum Working Pressure | Material of Construction |
| 1/4" NPT(M) 1/4" NPT(F) 1/4" NPS(F) | P-H-4091 P-H-4090 NA | 250 250 NA | Brass, Plated Brass, Plated NA | P-H-4069 P-H-4070 P-H-4072 | 250 250 250 | Steel, Plated Steel, Plated Brass, Plated |

**Replacement Parts Kit For Bayonet Lock Type Connections Shown Above.
Assemble parts in order shown below.**

| | | | | | | |
|---|---|---|---|---|---|--|
|  |  |  |  |  |  | All parts shown included in Repair Kit KK-4283 |
| *"U" Cup Seal | *Spacer for Hose Connection Valve | *Spacer for Threaded Connection Valve | *Washer | *Valve | *Spring | |

Quick Detachable Hose Connections for Air - Ring and Ball Lock Type

| Hose Size & Type | | | Hose Connection Valve Number | Ring Number | Stem Number Pressure | Maximum Working | Construction Material |
|------------------|-----------|-------------------------|---|---|---|-----------------|-----------------------|
| Hose I.D. | Size O.D. | Fits DeVilbiss Hose No. | | | | | |
| | | |  |  |  | | |
| 1/4" | 1/2" | H-1900 H-1957 | HC-4508 | HC-20-K10 | HC-267-K3 | 250 | Brass Plated |
| 5/16" | 5/8" | H-1901 H-1921 | HC-4511 | HC-12-K10 | HC-268 | 250 | Brass Plated |
| 3/8" | 1 1/16" | H-1958 | HC-4512 | HC-23-K10 | HC-269 | 250 | Brass Plated |