

# FLG4 GRAVITY FEED SPRAY GUN AND CUP

**IMPORTANT:** Before using this equipment, read all safety precautions on page 2 and instructions. Keep for future use.

## GUN DESCRIPTION

The FLG4 is a light weight, anodized aluminum, general purpose gravity feed spray gun designed for use in various types of spraying applications. Various models are available to handle HVLP, water based, and solvent based spraying applications.

These guns are sold with either a 900 cc aluminum cup (702576) or a 20 oz. Acetal cup (GFC-501). These guns are suitable for use with water based materials **ONLY** if used with a Acetal cup, or with a disposable cup system.

### WARNING

Halogenated hydrocarbon solvents - for example; 1, 1, 1-trichloroethane and methylene chloride - can chemically react with the aluminum in this gun and cause an explosion hazard. Read the label or data sheet for the material you intend to spray. Do not use spray materials containing these solvents with this spray gun.

**IMPORTANT:** This gun may be used with most common coating and finishing materials. It is designed for use with mildly corrosive and non-abrasive materials. If used with other high corrosive or abrasive materials, it must be expected that frequent and thorough cleaning will be required and the necessity for replacement of parts will be increased.

## HVLP MODELS:

HVLP models of this gun were manufactured to provide maximum transfer efficiency by limiting air cap pressure to 10 psi (complies with rules issued by SCAQMD and other air quality authorities).

HVLP models of this gun will produce approximately 10 psi cap pressure at 23 psi gun inlet pressure, as measured at the gun inlet. An air cap test kit (see Accessories) should be used to insure 10 psi cap pressure is not exceeded.

The No. 3 (HVLP) air cap requires a 13 cfm air supply at the gun inlet of 23 psi max., measured with the trigger pulled.

## CUP DESCRIPTIONS

### 702576 – 900 cc Aluminum Cup

The cup is constructed from durable aluminum to provide trouble-free operation. The cup insert is electroless nickel plated brass. The disposable cup lid is recyclable and is constructed with recycled polyethylene. The lid has a unique drip check to prevent paint from dripping out of the vent in the lid.

### 190252 (GFC-501) – 20 oz. Acetal Cup

The cup and screw-on lid are constructed from durable Acetal to provide trouble-free operation. The lid has a unique drip check to prevent paint from dripping out of the vent in the lid. The cup also has a high grade stainless steel connector which is compatible with water based and all common coating materials.

## ASSEMBLY OF CUP TO GUN

This gun has been assembled with a cup gasket (12) (blue) in the fluid inlet of the gun body. Place filter (15) in the cup outlet at this time if desired. See Cup Drawing on page 4. Assemble cup to gun and tighten hand tight.

## INSTALLATION

### Note

Protective coating and rust inhibitors have been used to keep the gun in good condition prior to shipment. Before using the gun, flush it with solvents so that these materials will be removed from fluid passages.

For maximum transfer efficiency, **do not use more pressure than is necessary to atomize the material being applied.**

Connect the gun to a clean, moisture and oil free air supply using a hose size of at least 5/16" I.D. hose. Do not use 1/4" I.D. hose. (25' x 1/4" hose at 18 CFM has a pressure loss of 25 psi. 25' x 5/16" hose at 18 CFM has a pressure loss of 8 psi.)

### Note

Depending on hose length, larger I.D. hose may be required. Install a DeVilbiss air adjusting valve at the gun handle and air cap test kit over tip. When gun is triggered on, adjust regulated pressure to desired setting to provide a maximum of 10 psi at the air cap. **Do not use more pressure than is necessary to atomize the material being applied.** Excess pressure will create additional overspray and reduce transfer efficiency.

### Note

If quick connects are required, use only high flow quick connects approved for HVLP use, such as DeVilbiss HC-4419 and HC-4719. Other types will not flow enough air for proper gun operation.

### Note

If an air adjusting valve is used at the gun inlet, use a DeVilbiss model. Some competitive adjusting valves have significant pressure drop that can adversely affect spray performance. DeVilbiss air adjusting valves have minimal pressure drop, which is important for HVLP spraying.

## OPERATION

Mix, prepare and strain the material to be sprayed according to the paint manufacturer's instructions.

## FILLING WITH PAINT

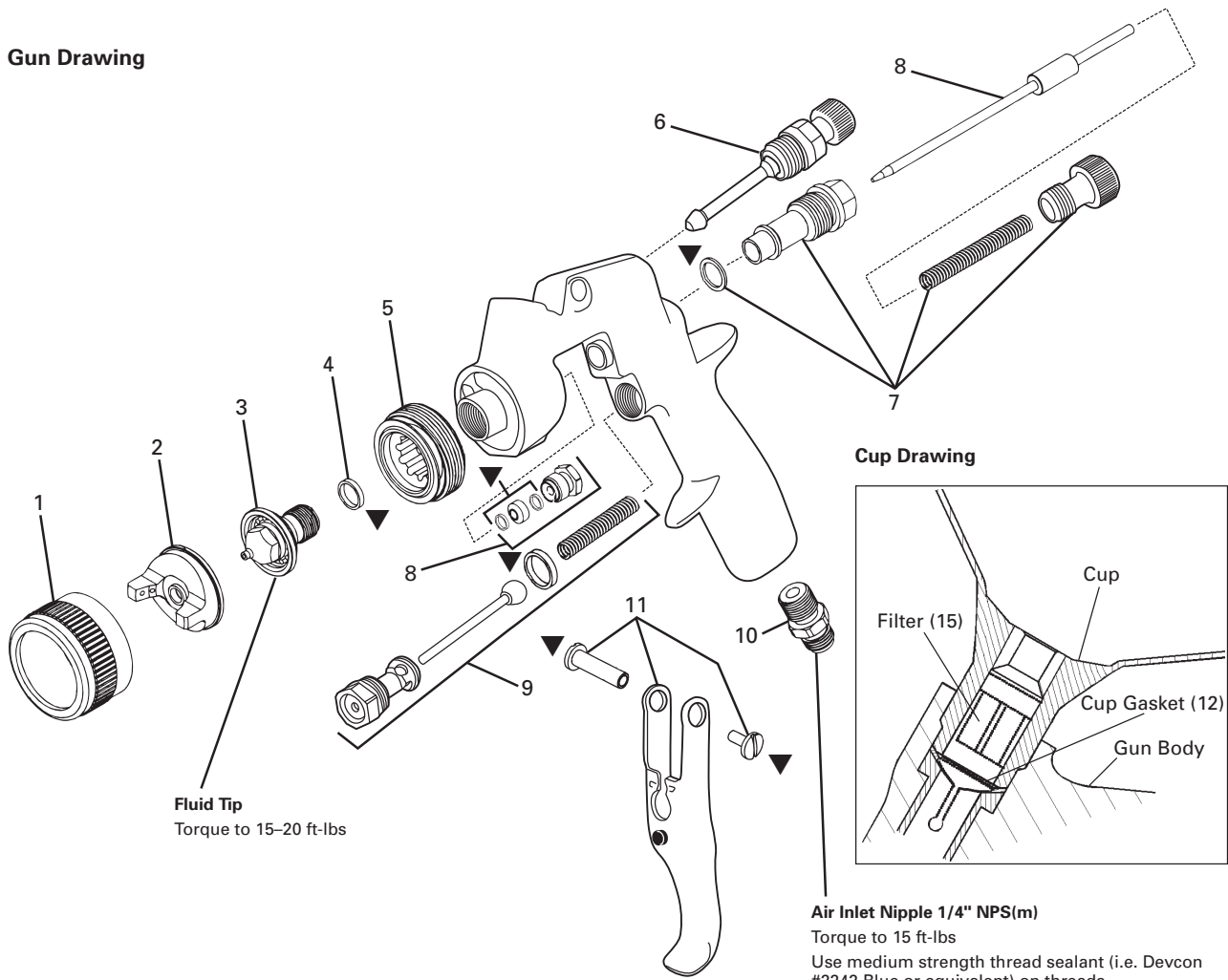
Fill the cup with paint to the full mark (702576) or to bottom of the threads (GFC-501). **Do not overfill.**

## INSTALLING THE LID

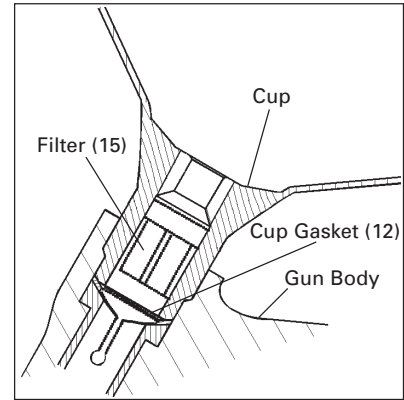
Place plastic lid on the top of the cup, and **push in the center of the lid to assemble lid (702576) or screw lid onto cup (GFC-501).** Fold vent cap and push onto center portion of lid (if vent cap is not already assembled).

(continued on page 3)

## Gun Drawing



## Cup Drawing



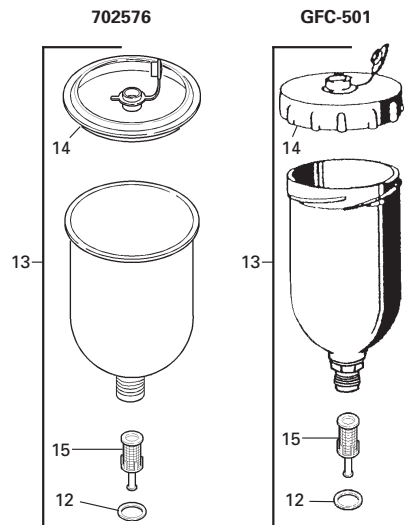
## Air Inlet Nipple 1/4" NPS(m)

Torque to 15 ft-lbs

Use medium strength thread sealant (i.e. Devcon #2242 Blue or equivalent) on threads

## PARTS LIST

Ref. No.	Comp. Part No.	Replacement Part No.	Description	Ind. Parts Req.
1	803055	FLG-333	Retaining Ring	1
2		See Chart 1	Air Cap	1
3		See Chart 2	Fluid Tip & Seal Kit	1
4	690020	FLG-304-K5	Fluid Tip Seal (Kit of 5)	1
5	690021	FLG-305	Baffle	1
6	803528	FLG-465	Spreader Air Adjustment Valve	1
7	803525	FLG4-364-K	Needle Knob, Spring, Bushing & Gasket Kit	1
8	803526	FLG4-366-K	FLG4 Needle, Needle Packing & Nut Kit	1
9	190780	JGS-449-1	Air Valve & Gasket Kit	1
10	190287	P-MB-51	Air Inlet Nipple	1
11	191943	JGS-477-1	Trigger, Trigger Stud & Screw	1
12	192151	KGP-13-K5	Cup Gasket Kit (Kit of 5)	1
13	702576	702576	Metal Gravity Feed Cup	1
	190252	GFC-501	Acetal Gravity Feed Cup	1
14	190944	GFC-404-K2	Disposable Lid Kit (Kit of 2)	1
15	190181	KGP-5-K5	Filter Kit (Kit of 5)	1



803527 FLG4-488-K ▼ FLG4 Gun Repair Kit (Contains 1 each: Fluid Tip Seal, Needle Packing, Trigger Stud, Trigger Screw, and Gasket for Air Valve & Needle Bushing.)

519210 FLG-463 Air Cap #3 HVLP Test Cap

Additional Spray Gun Accessories on page 7.