



Chicago Pneumatic

Operator's Manual

CP 734H Series

1/2" Impact Wrench

Model L



WARNING

To reduce risk of injury, everyone using, installing, repairing, maintaining, changing accessories on, or working near this tool must read and understand these instructions, as well as separately provided safety instructions part number 6159948710, before performing any such task.

Air Diagram:

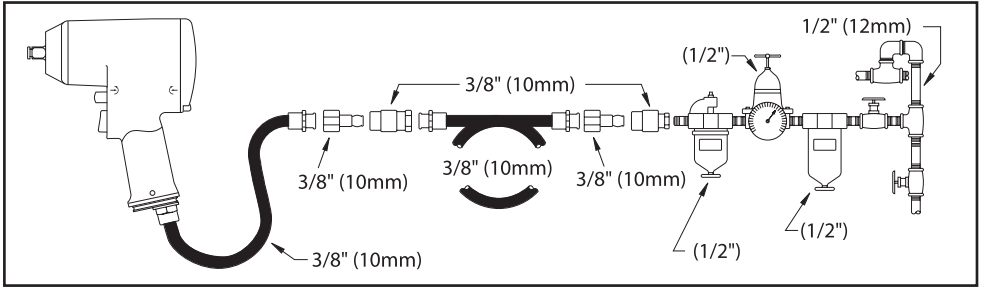


Fig. 01

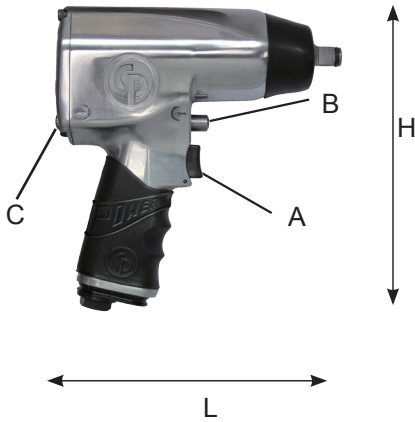


Fig. 02

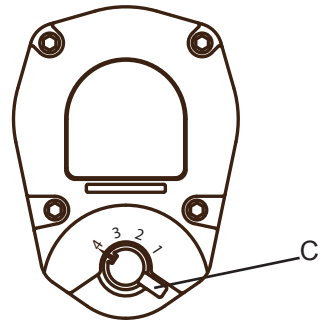


Fig. 03

Model	Drive	Torque		Speed	Weight	Dimension L x W x H	Air Consumption		Inner Hose Dia.	Sound pressure L_{pA}	Soundpower L_{WA}	Vibrations	
		Working	Max				Average	continuous				a_h	k
	1	2	3	4	6	7	8	9	10	11			
[inch]	[ft. lbs] [Nm]	[ft. lbs] [Nm]	[min ⁻¹]	[lb] [kg]	mm	[SCFM] [Nl/s]	[inch] [mm]	dB(A)	dB(A)	m/s ²	m/s ²		
CP734H	1/2"	25-310 34-420	445 600	9500	5.13 2.32	191x63x200	3.75 1.8	15 7.1	3/8" 10	97.4	108.4	5.07	1.74