



KBII™ Pressure Cup

Order No. Model No.
120033 KB-555

EZ Liner Kit for KBII

Order No. Model No.
192025 KK-5051

Comfortable to carry.
Easy clean ups with disposable liners



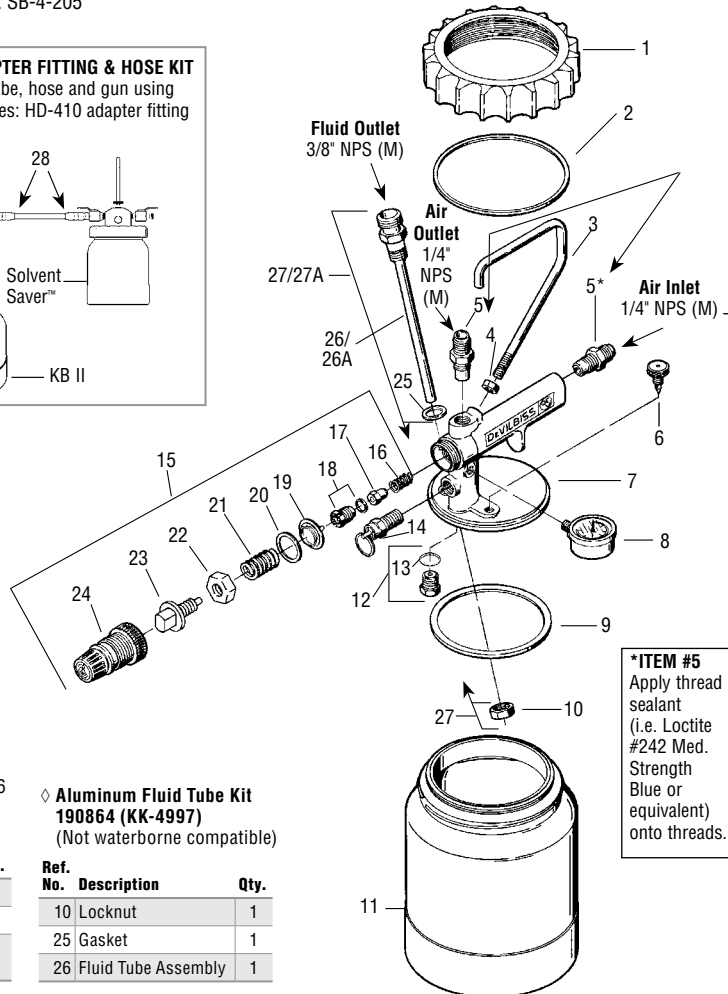
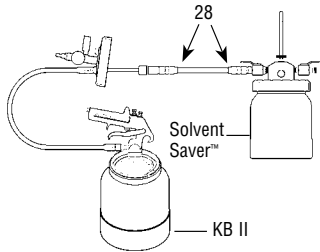
KBII™ Pressure Cup and Liner Kit

| Order No. Model No. | Capacity | Regulation | 3/4" H.P. Direct Drive Air Driven Agitation Included |
|---------------------|---|------------|--|
| 120033 KB-555 | 2-qt. | Yes | N/A |
| 192025 KK-5051 | EZ Liner Kit for KBII (20 liners, 20 lids, 3 rings) | | |



Refer to Service Bulletin: SB-4-205

192026 (KK-5052) ADAPTER FITTING & HOSE KIT
Allows flushing of cup tube, hose and gun using SolventSaver™. Kit includes: HD-410 adapter fitting and 2' hose assembly.



◆ **Stainless Steel Fluid Tube Kit 190863 (KK-4996)**
For waterborne compatibility use KK-5051 disposable cup liners and KK-4996 Fluid Tube Kit

◇ **Aluminum Fluid Tube Kit 190864 (KK-4997)**
(Not waterborne compatible)

| Ref. No. | Description | Qty. | Ref. No. | Description | Qty. |
|----------|---------------------|------|----------|---------------------|------|
| 10A | Locknut | 1 | 10 | Locknut | 1 |
| 25A | Gasket | 1 | 25 | Gasket | 1 |
| 26A | Fluid Tube Assembly | 1 | 26 | Fluid Tube Assembly | 1 |

***ITEM #5**
Apply thread sealant (i.e. Loctite #242 Med. Strength Blue or equivalent) onto threads.

| Ref. No. | Order No. | Model No. | Description | Ind. Parts Req. |
|----------|--------------------|-----------|--|-----------------|
| 1 | 190573 | KB-64 | Retaining Ring | 1 |
| ●2 | 190577 | KB-81-K5 | Slip Ring (Kit of 5) | 1 |
| +3 | 190575 | KB-74 | Handle – Secondary | 1 |
| 4 | (purchase locally) | | Nut 5/16" -18 | 1 |
| 5 | 190287 | P-MB-51 | Adapter | 2 |
| ●6 | 190574 | KB-66 | Pressure Bleed Valve (For KB-555) | 1 |
| 7 | 190901 | KB-70 | Lid w/handle (For KB-555) | 1 |
| 8 | 190761 | GA-355 | Pressure Gauge 0-30 PSI | 1 |
| ●9 | 190576 | KB-80-K5 | Gasket (Kit of 5) | 1 |
| ◇10 | 190249 | MBD-11-K5 | Locknut (For KB-555, Kit of 5) | 1 |
| ◆10A | — | | Locknut | 1 |
| 11 | 190578 | KB-422 | 2 qt. cup (For KB-555) | 1 |
| ●12 | 191200 | KB-432-K3 | Check Valve (Kit of 3) | 1 |
| ●13 | 190692 | KB-85-K5 | Gasket (Kit of 5) | 1 |
| 14 | 190582 | TIA-4355 | Safety Valve | 1 |
| 15 | 190848 | KB-428-1 | Regulator Assembly | 1 |
| 16 | — | — | Valve Spring | 1 |
| 17 | — | — | Valve, PTFE | 1 |
| 18 | — | — | Valve Seat & O-Ring Assembly | 1 |
| 19 | — | — | Diaphragm, PTFE protected | 1 |
| 20 | — | — | Slip Ring | 1 |
| 21 | — | — | Regulator Spring | 1 |
| 22 | — | — | Nut | 1 |
| 23 | — | — | Adjusting Screw | 1 |
| 24 | — | — | Bonnet | 1 |
| ◆25 | 190175 | KB-60-K6 | Gasket (Kit of 6) | 1 |
| ◇26 | — | — | Fluid Tube Assembly (Aluminum) | 1 |
| ◆26A | — | — | Fluid Tube Assembly (Stainless Steel) | 1 |
| 27 | 190864 | KK-4997 | Fluid Tube Kit – (Aluminum for KB-555) | 1 |
| 27A | 190863 | KK-4996 | Fluid Tube Kit – (Stainless Steel) | 1 |
| 28 | 192026 | KK-5052 | Adapter Fitting & Hose Kit | 1 |
| 29 | 192025 | KK-5051 | Cup Liner Kit | 1 |

● Recommended spare parts.

+ A secondary handle (3) has been provided with each cup. May be used for "Belt Hanging."

Suffixes: -K2, -K3, -K5, -K6 designate kits of multiple parts. Example: KB-81-K5 is a kit of 5 Slip Rings.