

TEKNA® Pro BASECOAT/CLEARCOAT GRAVITY FEED SPRAY GUNS



Includes:

- Multiple air caps and nozzles
- HAV-555 digital air adjusting valve with gauge
- Gun wrench and color ID rings
- Full-size gun body

EPA Compliant.
Approved in most
HVLV areas.

EPA and
SCAQMD
Approved

Waterborne compatible when using a plastic or disposable cup system.

Order No.	Fluid Tips	Cup	Air Caps
703582*	1.3, 1.4, & 1.5mm	Uncupped	TE20 & HV30
703581*	1.2, 1.3, & 1.4mm	Uncupped	TE10 & TE20
703580	1.2, 1.3, & 1.4mm	900cc Aluminum	TE10 & TE20

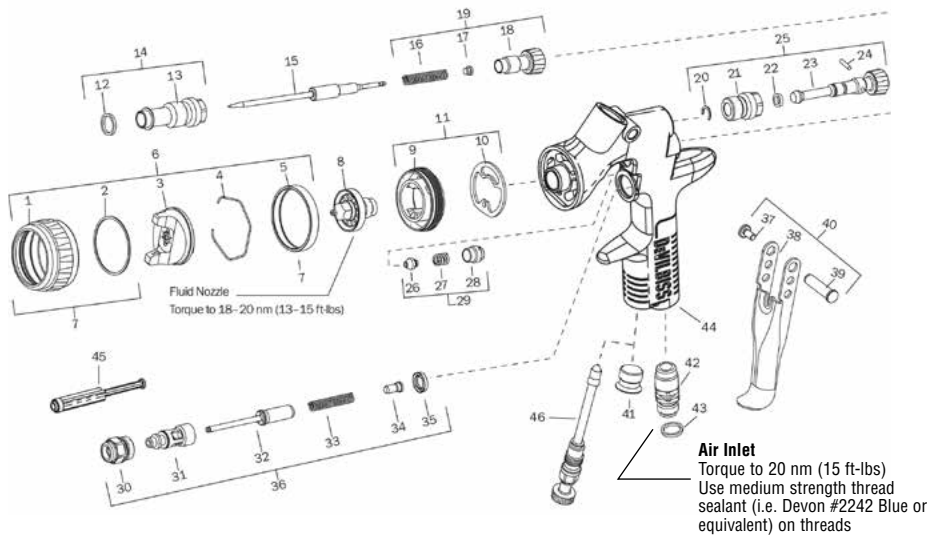
* Uncupped guns include disposable cups adapter

TEKNA® Pro Air Caps

TE10 air cap (HE)	Basecoats, low solids clearcoats Air Cap Order/Model No. 703538 7.5–11 CFM @ 20–35 PSI inlet	Air Cap Pattern 12-13"
TE20 air cap (HE)	Basecoats, high solids clearcoats Air Cap Order/Model No. 703539 9–12 CFM @ 16–26 PSI inlet	Air Cap Pattern 12-13"
HV30 air cap (HVLV)	Basecoats, clearcoats Air Cap Order/Model No. 703540 14.5–16.5 CFM @ 20–24 PSI inlet	Air Cap Pattern 13-14"
Fluid Tips	1.2mm, 1.3mm, 1.4mm, 1.5mm	



Refer to Technical Bulletin: TB-1012



**CHART 1
Air Cap Replacement Parts**

Air Cap Order No.	Application	Air Cap No.	Recommended Inlet Pressure BAR/PSI	Air Flow LPM/SCFM
703540	Basecoats Clearcoats	HV30	1.4–1.6 bar 20–24 psi	411–467 LPM 14.5–16.5 CFM
703538	Basecoats, low solids clearcoats	TE10	1.4–2.4 bar 20–35 psi	212–311 LPM 7.5–11.0 CFM
703539	Basecoats, high solids clearcoats	TE20	1.1–1.8 bar 16–26 psi	255–340 LPM 9–12 CFM

**CHART 2
Fluid Nozzles**

Fluid Nozzle Order No.	No. on Fluid Nozzle	Tip Size (mm)
703521	PRO-200-12	1.2
703522	PRO-200-13	1.3
703523	PRO-200-14	1.4
703589	PRO-200-15	1.5

Wrench (10 & 14mm)	702740
Seal and Pin Kit, kit of 5 (items 20, 22 and 24)	192229

* The TEKNA Spray Gun Repair Kit (702736) contains all the parts indicated with an asterisk.

Ref #	Description	Part #	Qty
1	Air Cap Retaining Ring		1
2	Slip Ring		1
3	Air Cap		1
4	Air Cap Retaining Clip	191972	1
5	Retaining Ring Seal		1
6	Air Cap & Ring	Chart 1	1
7	Air Cap Retaining Ring & Seals	702725	1
8	Fluid Nozzle	Chart 2	1
9	Air Separator		1
*10	Air Separator Seal (kit of 2)	702726	1
11	Air Separator & Seal Kit	703529	1
*12	Body Bushing Gasket		1
13	Body Bushing		1
14	Body Bushing & Gasket	702728	1
15	Fluid Needle	Chart 2	1
*16	Needle Spring		1
*17	Needle Spring Pad		1
18	Fluid Adjusting Knob		1
19	Fluid Adjusting Knob, Spring, & Pad Kit	702729	1
*20	Retaining Clip		1
21	Spreader Valve Body		1
*22	O-ring		1
23	Spreader Valve Adjusting Knob		1
*24	Spreader Valve Pin		1
25	Spreader Valve Assembly	702730	1
*26	Needle Packing		1
*27	Packing Spring		1
*28	Packing Nut		1
29	Packing, Spring & Packing Nut Kit	702731	1
30	Air Valve Body		1
31	Air Valve Cage		1
32	Air Valve Poppet		1
33	Air Valve Spring		1
34	Air Valve Spring Pad		1
35	Air Valve Seal Seal (Kit of 5)	803307	1
36	Air Valve Assembly	702732	1
*37	Trigger Stud Screw (T20 Star)		1
38	Trigger		1
*39	Trigger Stud		1
40	Trigger, Stud & Screw Kit	702733	1
41	Plug		1
42	Air Inlet	702734	1
43	Colour ID Ring Kit (4 Colours)	702735	1
44	Gun Body		1
45	Air Valve Service Tool (only included with Air Valve Assembly 36)		1
46	Air Adjusting Valve (optional)	702737	1

TEKNA® Copper HE BASECOAT/CLEARCOAT GRAVITY FEED SPRAY GUNS



Includes:

- 7E7 high efficiency air cap
- HAV-555 air adjusting valve with digital gauge
- Extra needle/nozzle set
- Gun wrench and color ID rings

EPA Compliant.
Approved in most
HVLP areas.

EPA and
SCAQMD
Approved

Waterborne compatible when using a plastic or disposable cup system.

Order No.	Needle/Nozzle	Cup	Air Cap
703675*	1.2mm, 1.3mm	Uncupped	7E7
703676	1.2mm, 1.3mm	900cc Aluminum	7E7
703661*	1.3mm, 1.4mm	Uncupped	7E7
703662	1.3mm, 1.4mm	900cc Aluminum	7E7

* Uncupped guns include disposable cups adapter

TEKNA® Copper HE Air Caps

#7E7 air cap (HE)	Basecoats, clearcoats Air Cap Order/Model No. 703062 9–11 CFM @ 16–22 PSI inlet for HVLP approved areas	Air Cap Pattern 12½"
#202 air cap (HVLP)	Basecoats (solvent) Air Cap Order/Model No. 702723 13.5–15.5 CFM @ 18–22 PSI inlet	Air Cap Pattern 13"
#909 air cap (HVLP)	Clearcoats, waterborne basecoats Air Cap Order/Model No. 702724 14–16 CFM @ 22–26 PSI inlet	Air Cap Pattern 12"
Fluid Tips	1.1mm, 1.2mm, 1.3mm, 1.4mm, 1.5mm (for hot climate waterborne)	



Refer to Technical Bulletin: TB-1016

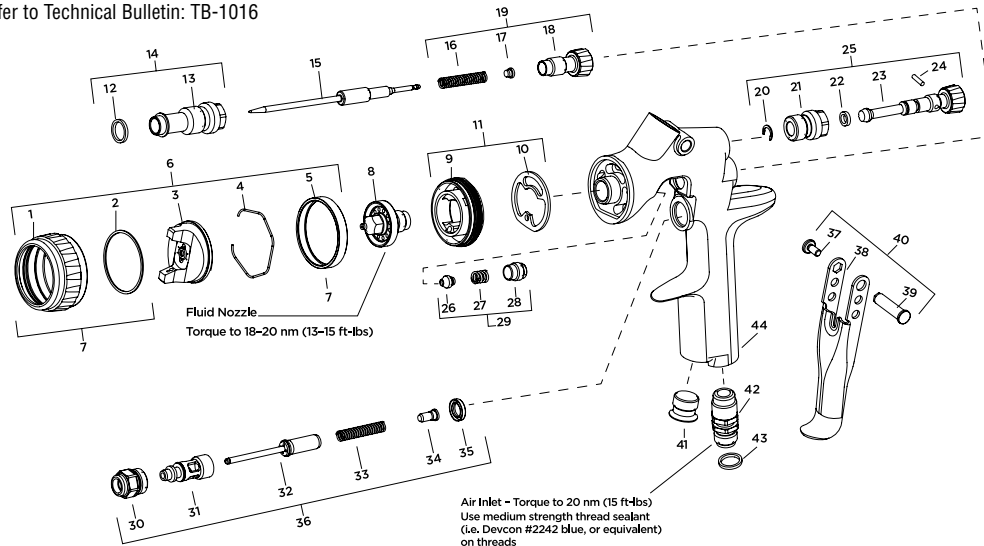


CHART 1: Fluid Nozzle & Fluid Needle Replacement Parts

Fluid Nozzle Size I.D. (mm)	Fluid Nozzle/Needle Set No.	NOTE:
1.1	702711	When replacing the fluid nozzle or fluid needle, replace both at the same time. Lightly lubricate the threads of the fluid nozzle before reassembling. Torque 14–16 nm (10–12 ft-lbs). Don't over tighten the fluid nozzle. Use 10mm wrench supplied with gun.
1.2	702712	
1.3	702713	
1.4	702714	
1.5	702715	

CHART 2: Air Cap Replacement Parts

Air Cap Order No.	Application	Air Cap No.	Recommended Inlet Pressure BAR/PSI	Air Flow LPM/SCFM
702723	Basecoats	#202 HVLP	1.2–1.5 BAR/18–22 PSI	382–434 LPM 13.5–15.5 SCFM
702724	Clearcoats Waterborne Base	#909 HVLP	1.5–1.8 BAR/22–26 PSI	396–453 LPM 14–16 SCFM
703062	Basecoats, clearcoats	#7E7 HE	1.1–1.5 BAR/16–22 PSI (HVLP approved areas) 1.5–2.0 BAR/22–30 PSI (non-HVLP approved areas)	255–312 LPM/9–11 SCFM 312–368 LPM/11–13 SCFM (non-HVLP approved areas)

Ref. No.	Description	Part No.	Qty
1	Air Cap Retaining Ring		1
2	Slip Ring		1
3	Air Cap		1
4	Air Cap Retaining Clip	191972	1
5	Retaining Ring Seal		1
6	Air Cap & Ring (see Chart 2)		1
7	Air Cap Retaining Ring & Seals	702725	1
8	Fluid Nozzle (see Chart 2)		1
9	Air Separator		1
*10	Air Separator Seal (kit of 2)	702726	1
11	Air Separator & Seal Kit	702727	1
*12	Body Bushing Gasket		1
13	Body Bushing		1
14	Body Bushing & Gasket	702728	1
15	Fluid Needle (see Chart 1)		1
*16	Needle Spring		1
*17	Needle Spring Pad		1

Ref. No.	Description	Part No.	Qty
18	Fluid Adjusting Knob		1
19	Fluid Adjusting Knob, Spring, & Pad Kit	702729	1
*20	Retaining Clip		1
21	Spreader Valve Body		1
*22	O-ring		1
23	Spreader Valve Adjusting Knob		1
*24	Spreader Valve Pin		1
25	Spreader Valve Assembly	702730	1
*26	Needle Packing		1
*27	Packing Spring		1
28	Packing Nut		1
29	Packing, Spring & Packing Nut Kit	702731	1
30	Air Valve Body		1
31	Air Valve Cage		1
32	Air Valve Poppet		1
33	Air Valve Spring		1
34	Air Valve Spring Pad		1
35	Air Valve Seal (kit of 5)	803307	1
36	Air Valve Assembly	702732	1
*37	Trigger Stud Screw (T20 Star)		1
38	Trigger		1
*39	Trigger Stud		1
40	Trigger, Stud & Screw Kit	702733	1
41	Plug		1
42	Air Inlet	702734	1
43	Colour ID Ring Kit (4 Colours)	702735	1
44	Gun Body		1

* The TEKNA Spray Gun Repair Kit (702736) contains all the parts indicated with an asterisk.

OTHER SALABLE PARTS /ACCESSORIES

Wrench (10 & 14mm)	702740
#202 Test Cap (HVLP)	702738
#909 Test Cap (HVLP)	702739
Spray Gun Repair Kit	702736
TEKNA Replacement 900cc Aluminum Cup	702576
Disposable Lid Kit (2)	GFC-404-K2
Paint Filter Kit	KGP-5-K5

SRIPro™ SPOT REPAIR GUN



Includes:

- 1.0mm fluid tip
- TS1 high efficiency & HS1 HVLP air caps
- Starter set of 9 oz. disposable cups: 4 lids and liners
- 1 reusable sleeve and lid
- 1 gun adapter
- 1 measuring guide
- 1 300-micron barrel paint filter
- 1 125-micron disk filter
- 3 oz. plastic cups
- 4 colored identification rings

Waterborne compatible when using a plastic or disposable cup system.



Order No.	Model No.	Fluid Tip (mm)	Cup	Air Cap
803311	SRIPRO-635G-10	1.0mm	3 oz. & 9 oz. Disposable Cups	TS1 HE, HS1 HVLP

SRIPro™ Spot Repair Gun Air Caps

HS1 air cap (HVLP)	Primers, basecoats, clearcoats, single stage, and low VOC Air Cap Order No. 803296 Air Cap Model No. SRIPRO-101-HS1 29 PSI inlet 4.8 CFM	Air Cap Pattern ¼ to 9"
TS1 air cap (HE)	Basecoats, clearcoats, primers, single stage, and low VOC Air Cap Order No. 803297 Air Cap Model No. SRIPRO-100-TS1 29 PSI inlet 3.5 CFM	Air Cap Pattern ¼ to 9"
Fluid tips	0.8mm, 1.0mm , 1.2mm (Included tip size shown in bold)	



Refer to Service Bulletin: SB-2-855

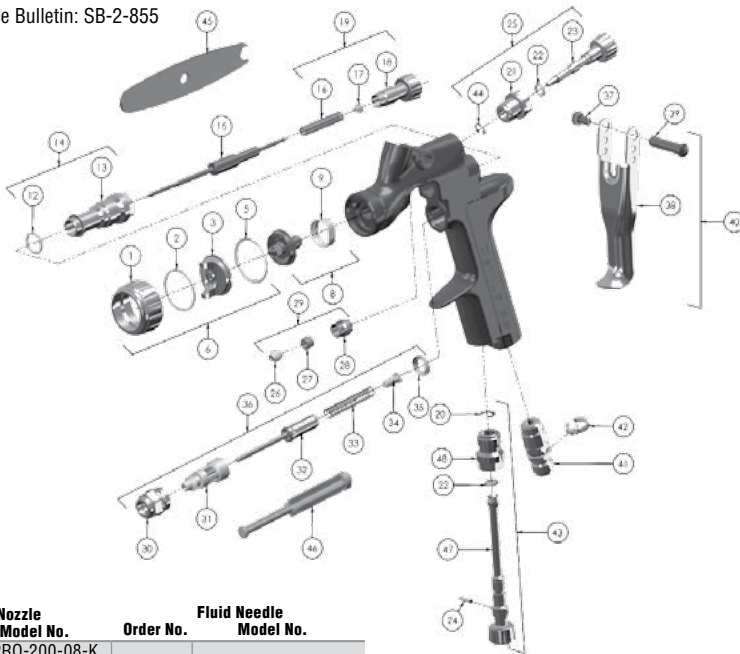


CHART 1

Order No.	Fluid Nozzle Model No.	Order No.	Fluid Needle Model No.
803298*	SRIPRO-200-08-K	803302	SRIPRO-300-0810-K
803299*	SRIPRO-200-10-K		
803300*	SRIPRO-200-12-K	803303	SRIPRO-300-1214-K

*Includes 1 SRIPRO-2 separator

NOTE: When replacing the fluid nozzle or fluid needle, replace both at the same time. Torque to 80–90 in-lbs (9–10 Nm). Don't overtighten the fluid nozzle. Use SRI-50 6mm wrench supplied with the gun and check with a torque wrench.

IMPORTANT NOTE: The SRIPro and older SRI fluid nozzles and air caps **ARE NOT INTERCHANGEABLE** between the 2 models. Any attempt to fit fluid nozzles or caps onto the wrong spray gun may cause damage to the parts or the spray gun body and invalidate the warranty.

The SRIPro Spray Gun Repair Kit (702736) contains all the parts indicated with a •

The SRIPro Seal & Pin Kit (192229) contains all the parts indicated with a †

Ref. No.	Order No.	Model No.	Description	Ind. Parts Req.
1			Air Cap Retaining Ring	1
2			Slip Ring	1
3			Air Cap	1
5		SRI-35-K	Retaining Ring Seal	1
6		See chart above	Air Cap & Ring	1
8		See Chart 1	Fluid Nozzle	1
9	803304	SRIPRO-2-K5	Separator	1
•12			Body Bushing Seal	1
13			Body Bushing	1
14	702728	702728	Body Bushing & Seal	1
15		See Chart 1	Fluid Needle	1
16			Needle Spring	1
•17			Needle Spring Pad	1
18			Fluid Adjusting Knob	1
19	803305	PRO-3-K	Fluid Adjusting Knob, Spring & Pad Kit	1
•†20			Retaining Clip	1
21			Spreader Valve Body	1
•†22			Spreader Valve Seal	2
23			Spreader Valve Adjusting Knob	1
•†24			Valve Pin	1
25	803306	SRIPRO-401-K	Spreader Valve Assembly	1
•26			Needle Packing	1
•27			Packing Spring	1
28			Packing Nut	1
29	702731	702731	Packing, Spring & Packing Nut Kit	1
30			Air Valve Body	1
31			Air Valve Cage	1
32			Air Valve Poppet	1
33			Air Valve Spring	1
34			Air Valve Spring Pad	1
35	803307	SN-34-K5	Air Valve Seal	1
36	702732	702732	Air Valve Assembly	1
•37			Trigger Stud Screw (T20 TORX)	1
38			Trigger	1
•39			Trigger Stud	1
40	803308	SN-42-K	Trigger, Stud & Screw Kit	1
41	803309	SN-40-K	Air Inlet	1
42	702735	702735	Color ID Ring Kit (4 colors)	1
43	803310	PRO-404-K	Airflow Valve	1
44			Circlip	1
45			Wrench	1
46			Air Valve Service Tool (included in 702732)	1
47			Air Flow Valve Knob	1