

FLG4

GRAVITY FEED GUNS

FINISHLINE
by DeVilbiss

HVLP Solvent-based Value Kit Includes:

- 1.3mm, 1.5mm & 1.8mm fluid tips
- 900cc aluminum cup, air adjusting valve with gauge

HVLP Waterborne Value Kit Includes:

- 1.3mm, 1.5mm & 1.8mm fluid tips
- 20 oz. Acetal cup, air adjusting valve with gauge

HVLP Gun Value Kit Includes:

- 1.8mm & 2.2mm fluid tips
- 900cc aluminum cup

Waterborne compatible when using a plastic or disposable cup system.



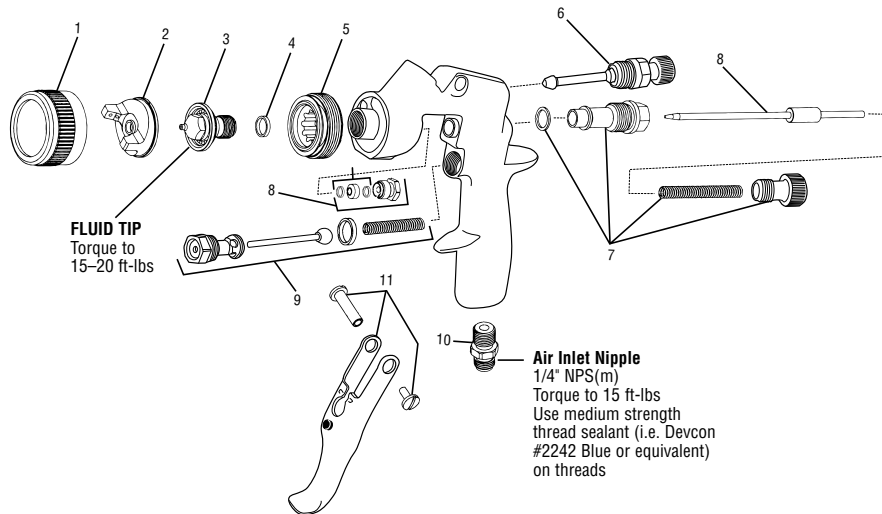
Order No.	Model No.	Fluid Tip	Air Cap	Cup	Application
803558	FLG-670	1.3, 1.5, 1.8	HVLP #3	900cc Aluminum	Top coats, light primers
803559	FLG-671	1.3, 1.5, 1.8	HVLP #3	20 oz. Acetal	Waterborne top coats, light primers, primers
803560	FLG-678	1.8, 2.2	HVLP #3	900cc Aluminum	Primers, liquid masking, chip guards, other specialty materials

FinishLine® Gravity Feed Air Caps

#3 air cap (HVLP)	Primers, basecoats, clearcoats, single stage and low VOC Air Cap Order No. 690001 Air Cap Model No. FLG-1-3 13 CFM @ 23 PSI inlet	Air Cap Pattern 10½"
Fluid Tips	1.3mm, 1.5mm, 1.8mm, 2.2mm	



Refer to Service Bulletin: SB-2-775

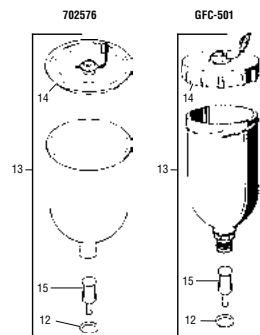
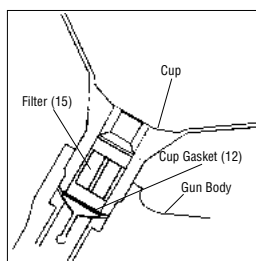


Ref. No.	Order No.	Model No.	Description	Ind. Parts Req.
1	690017	FLG-333	Retaining Ring	1
2	See Air Caps chart, above		Air Cap	1
3	See Chart 1		Fluid Tip & Seal Kit	1
4	690020	FLG-304-K5	Fluid Tip Seal (Kit of 5)	1
5	690021	FLG-305	Baffle	1
6	803528	FLG-465	Spreader Air Adjustment Valve	1
7	803525	FLG4-364-K	Needle Knob, Spring, Bushing & Gasket Kit	1
8	803526	FLG4-366-K	FLG4 Needle, Needle Packing & Nut Kit	1
9	190780	JGS-449-1	Air Valve & Gasket Kit	1
10	190287	P-MB-51	Air Inlet Nipple	1
11	191943	JGS-477-1	Trigger, Trigger Stud & Screw	1
12	192151	KGP-13-K5	Cup Gasket Kit (Kit of 5)	1
13	702576	702576	Metal Gravity Feed Cup	1
	190252	GFC-501	Acetal Gravity Feed Cup	1
14	190944	GFC-404-K2	Disposable Lid Kit (Kit of 2)	1
15	190181	KGP-5-K5	Filter Kit (Kit of 5)	1
	803527	FLG4-488-K	FLG4 Gun Repair Kit (Contains 1 each: Fluid Tip Seal, Needle Packing, Trigger Stud, Trigger Screw, and Gasket for Air Valve & Needle Bushing.)	1
	519210	FLG-463	Air Cap #3 HVLP Test Cap	1

CHART 1

Fluid Tip Order No.	Part No.	Tip Size (mm)	Application
803051	FLG-332-13K	1.3	Stains, lacquers, basecoats, clears
803052	FLG-332-15K	1.5	General purpose, light to medium viscosity materials
803053	FLG-332-18K	1.8	Primers, medium viscosity materials
803054	FLG-332-12K	2.2	Heavy materials

Cup Drawing



FinishLine® Pressure Feed



Includes:

- 1.3mm fluid tip
- Air adjusting valve with gauge
- High grade 303 stainless steel components
- Easy to clean anodized finish

Order No.	Model No.	Description
803692	FLG-574-13	FLG4 Pressure Feed Spray Gun (1.3mm)
803736	FLG-675	FLG4 Pressure Feed Spray Gun and Pressure Cup Kit. Includes: FLG-574-13 Pressure Feed Gun with HAV-512 Analog Gauge, KB-555 Pressure Cup with five (5) E-Z Liners, KB-4006 Hose Assembly, 1.8mm fluid tip

FinishLine® Pressure Feed Air Caps

#4 air cap (HVLP)	General purpose, light to medium viscosity material, latex or heavy bodied materials Air Cap Order No. 803693 Air Cap Model No. FLG-1-4 17-26 PSI inlet 12-15 CFM	Air Cap Pattern 12½"
-------------------	--	-------------------------

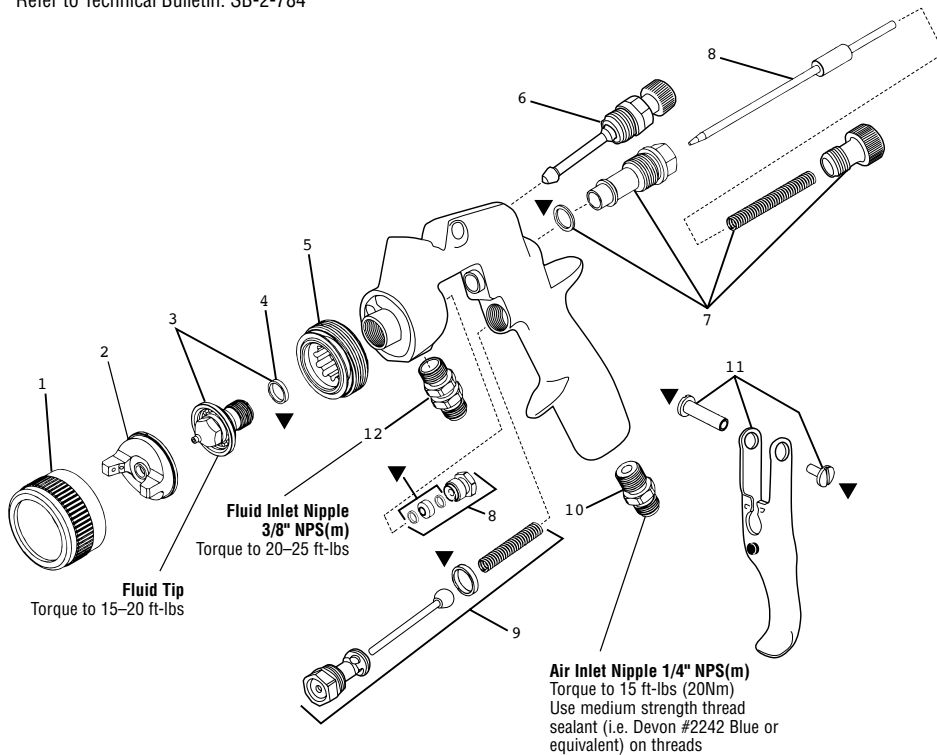
Fluid Tips 1.3mm, 1.5mm, 1.8mm, 2.2mm (included tip sizes shown in bold)



Waterborne compatible when using a plastic or disposable cup system.



Refer to Technical Bulletin: SB-2-784



Ref #	Description	Part #	Qty
1	Retaining Ring	803055	1
2	Air Cap	803693	1
3	Fluid Tip & Seal Kit	Chart 1	1
4	Fluid Tip Seal (Kit of 5)	690020	1
5	Baffle	690021	1
6	Spreader Air Adjustment Valve	803528	1
7	Needle Knob, Spring, Bushing & Gasket Kit	803525	1
8	FLG4 Needle, Needle Packing & Nut Kit	803526	1
9	Air Valve & Gasket Kit	190780	1
10	Air Inlet Nipple	190287	1
11	Trigger, Trigger Stud & Screw	191943	1
12	Fluid Inlet & Nut Kit	191942	1

FLG-488-K ▼ FLG4 Gun Repair Kit (Contains 1 each: Fluid Tip Seal, Needle Packing, Trigger Stud, Trigger Screw, and Gasket for Air Valve & Needle Bushing.)

**CHART 1
Fluid Tips**

Fluid Tip Part No.	Order No.	Fluid Tip Size (mm)	Applications
FLG-332-13K	803051	1.3	General purpose, light to medium viscosity material.
FLG-332-13K	803052	1.5	
FLG-332-18K	803053	1.8	Latex or heavy bodied materials.
FLG-332-22K	803054	2.2	