

KBII™ Pressure Cup and Liner Kit

Comfortable to carry.

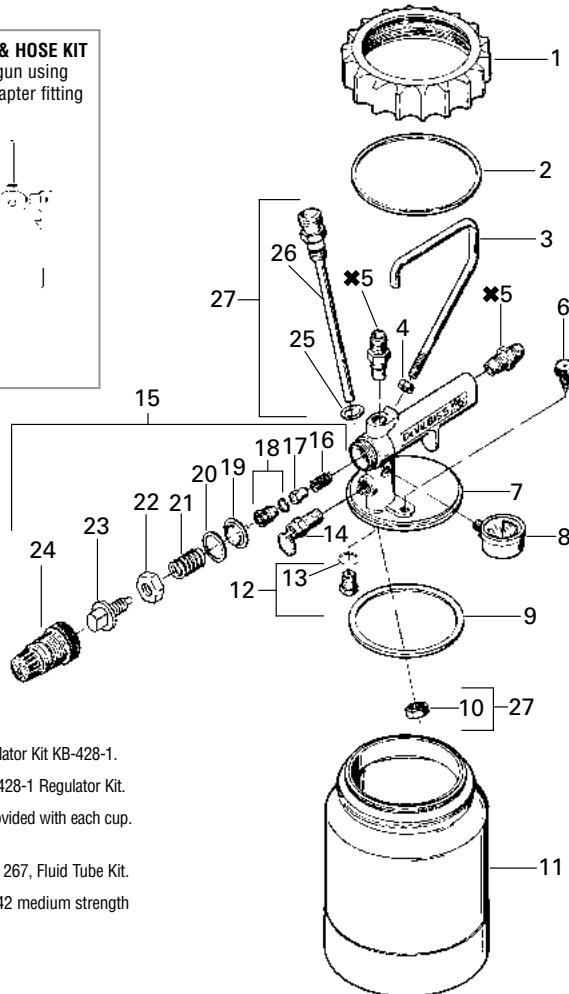
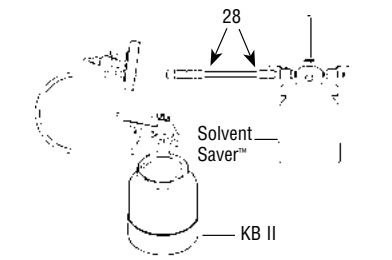
Easy clean ups with disposable liners

Order No.	Model No.	Capacity	Regulation
120033	KB-555	2 qt.	Yes
192025	KK-5051	EZ Liner Kit for KBII	



Refer to Service Bulletin: SB-4-205

192026 (KK-5052) ADAPTER FITTING & HOSE KIT
Allows flushing of cup tube, hose and gun using SolventSaver™. Kit includes: HD-410 adapter fitting and 2' hose assembly.



Ref. No.	Replacement Part No.	Description	Ind. Parts Req.
1	KB-64	Retaining Ring	1
#2	KB-81-K5	Slip Ring (Kit of 5)	1
*3	KB-74	Handle – Secondary	1
4	—	Nut 5/16" -18 (Purchase locally)	1
5	P-MB-51	Adapter	2
#6	KB-66	Pressure Bleed Valve (For KB-555)	1
#	KB-95	Pressure Bleed Valve (For KB-545-SS)	1
7	KB-70	Lid w/handle (For KB-555)	1
	KB-93	Lid w/handle (For KB-545-SS)	1
8	GA-355	Pressure Gauge 0-30 PSI	1
#9	KB-80-K5	Gasket (Kit of 5)	1
+10	MBD-11-K5	Locknut (For KB-555, Kit of 5)	1
	KB-97-K2	Locknut (For KB-545-SS, Kit of 2)	1
11	KB-422	2 qt. cup (For KB-555)	1
	KB-442	2 qt. cup (For KB-545-SS)	1
12	KB-432-K3	Check Valve (Kit of 3)	1
#13	KB-85-K5	Gasket (Kit of 5)	1
14	TIA-4355	Safety Valve	1
15	KB-428-1	Regulator Kit	1
•16	—	Valve Spring	1
•17	—	Valve, PTFE	1
•18	—	Valve Seat & O-Ring Assembly	1
•19	—	Diaphragm, PTFE protected	1
•20	—	Slip Ring	1
•21	—	Regulator Spring	1
•22	—	Nut	1
•23	—	Adjusting Screw	1
•24	—	Bonnet	1
+25	KB-60-K6	Gasket (Kit of 6)	1
+26	—	Fluid Tube Assembly	1
27	KK-4997	Fluid Tube Kit – (Aluminum for KB-555)	1

- These parts are included in the Regulator Kit KB-428-1.
- # Recommended Spare Parts and KB-428-1 Regulator Kit.
- * A secondary handle (3) has been provided with each cup. May be used for "Belt Hanging."
- + These parts are included in Ref. No. 267, Fluid Tube Kit.
- ✘ Apply thread sealant (i.e. Loctite #242 medium strength blue or equal) unto threads.