

DAD-500™ DESICCANT AIR DRYER SYSTEM

Avoid Costly Redo's

- Properly maintained air filtration system eliminates moisture and dirt in air lines
- Install at point of use



Order No.	Model No.	Description
130026	DAD-500	3-stage desiccant air dryer system

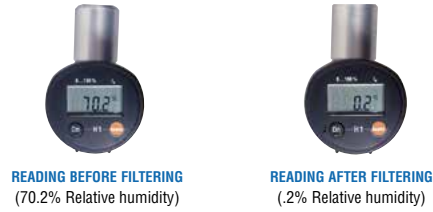


Compare DeVilbiss filtered air vs. unfiltered air

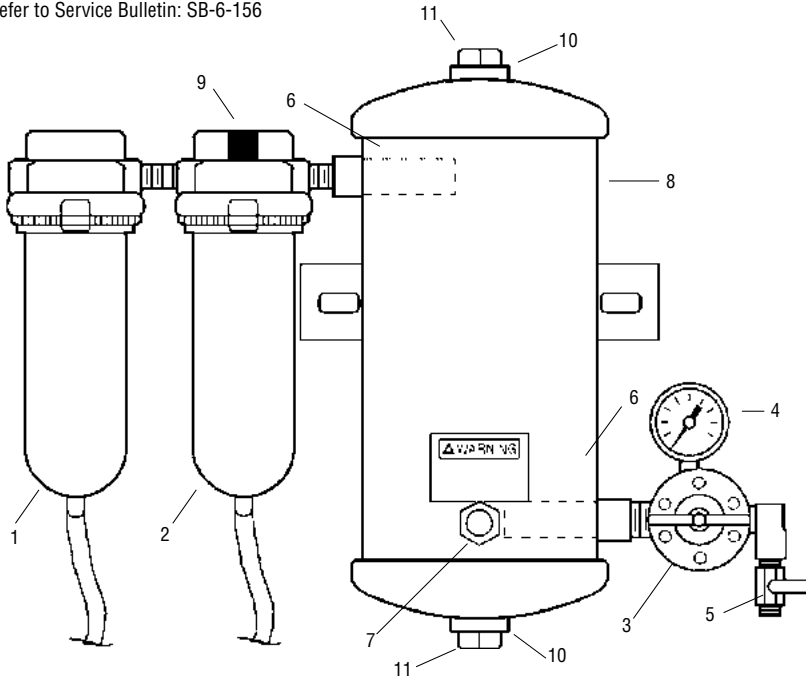
DeVilbiss' DAD-500 filters out contaminants to .01 micron



Compare the humidity reading before and after filtering with DeVilbiss DAD-500



Refer to Service Bulletin: SB-6-156



Ref. Order No.	Model No.	Description	Ind. Parts Req.
1	130041	Water Separator Filter	1
2	130027	Oil Coalescing Filter	1
3	130059	Air Regulator	1
4	190564	Gauge	1
5	240039	Ball Valve	1
6	190953	DAD-8 Air Filter (inside of tank)	2
7	190895	DAD-400 Humidity Indicator (paper included)	1
8	190877	PT-417 Desiccant Tank (without desiccant) (incl. #6)	1
9	190883	HAF-404 Filter Change Indicator	1
+	190831	DAD-1 Desiccant Refill	1
+	190727	HAF-6 Filter (see Key Maintenance Items chart)	1
+	190845	HAF-28 Filter (see Key Maintenance Items chart)	1
10	802153	SSG-8217-K2 O Ring Kit	1
11	802154	PT-96 Pipe Plug special 1-1/2 NPT	2
12	801288	VA-595 Brass Shut Off Valve (not shown)	1

+ Key Maintenance Items (Replace periodically for efficient performance)

Order No.	Model No.	Description
190831	DAD-1	Desiccant Refill
190727	HAF-6	First stage water separator filter element (5 micron)
190845	HAF-28	Second stage coalescing filter element (.01 micron)

SPECIFICATIONS:

13-0041 (HAF-502) Water Separator Filter

Air Inlet & Air Outlet ½" NPT(F)
 Air Flow Capacity 100 CFM
 Max. Operating Pressure 150 PSIG (10.3 Bar)
 Max. Temp. 150°F (65.6°C)
 Automatic Drain Standard
 Filter 5 micron

HAF-505 Oil Coalescing Filter

Air Inlet & Air Outlet ½" NPT(F)
 Air Flow Capacity 55 CFM
 Max. Operating Pressure 150 PSIG (10.3 Bar)
 Max. Temperature 150°F (65.6°C)
 Automatic Mechanical Drain Standard
 Pressure Differential Indicator Standard
 Filter 0.01 micron

Desiccant Dryer

Air Inlet & Air Outlet ½" NPT(F)
 Air Flow Capacity 25 CFM
 Max. Operating Pressure 150 PSIG (10.3 Bar)
 Max. Temperature 150°F (65.6°C)
 Humidity Indicator Standard
 Water Vapor Removal -40°F Dew Point

HAR-507 Air Regulator

Air Inlet ¾" NPT(F)
 Air Outlet ¼" NPT(F) (3 each)
 Air Flow 60 CFM
 Max. Operating Pressure 150 PSIG (10.3 Bar)
 Max. Temperature 120°F (48.9°C)

VA-595 Main Air Supply Shut Off Valve (not shown)

Air Inlet & Air Outlet ½" NPT(M)
 Max. Operating Pressure 175 PSIG (12.0 Bar)

Shipping Weight DAD-500: 35 lbs

Dimensions DAD-500: 22" x 17" x 18"

• Tune-Up Kit 130030 (DAD-600)

Model No.	Description	Qty.
DAD-1	Desiccant Refill	1
HAF-6	Filter Element for 13-0041	1

• Tune-Up Kit 802182 (DAD-600-1)

Model No.	Description	Qty.
DAD-1	Desiccant Refill	1
HAF-6	Filter Element for 13-0041	1
HAF-28	Filter Element for HAF-505	1

Clean Air™ AIR LINE FILTERS AND CONTROL UNITS

Air Filtration and Regulation Systems Remove Dirt, Oil Vapor, and Water from Air Lines

HAF-518 Quick Facts:

- 1st Stage 5 micron filter
- 2nd Stage .01 micron filter
- Easier maintenance comes with manual flexible drain



Order No.	Model No.	Description
130098	HAF-518	Two-stage filtration system, including centrifugal and coalescer w/ 60 CFM regulator
130041	13-0041	100 CFM air line filter
130042	13-0042	100 CFM air line filter w/ 60 CFM regulator

ACCESSORIES

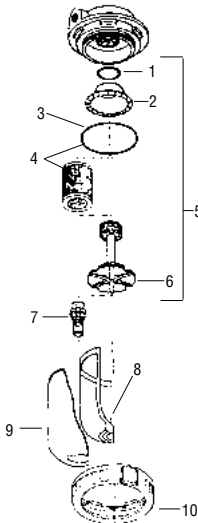
130093 / HAR-600
60 CFM regulator w/gauge

190771 / HAF-18
Automatic drain



Refer to Service Bulletins: SB-6-140, SB-6-147, SB-6-152

130041 (13-0041) 100 CFM Air Line Filter

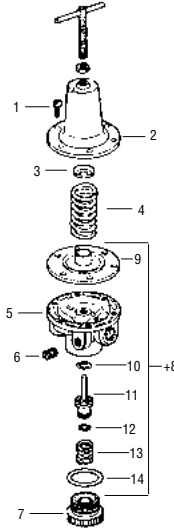


Ref. No.	Order No.	Model No.	Description	Ind. Parts Req.
*1	—	—	Gasket	1
*2	—	—	Baffle	1
●3	—	—	Bowl O-Ring (comes w/#4)	1
4	190727	HAF-6	Filter & O-ring Kit	1
5	190856	HAF-26	Baffle Kit (includes 1,2,& 6)	1
*6	—	—	Element Retainer	1
7	190766	HAF-11	Manual Flexible Drain	1
8	190763	HAF-8	Transparent Plastic Bowl	1
9	191417	HAF-19	Bowl Guard	1
10	190869	HAF-409	Clamp Ring Assembly	1

Optional Accessories

Order No.	Model No.	Description
190564	GA-288	Gauge, 160# – 2" Diameter
190771	HAF-18	Automatic Drain allows maintenance-free drainage
240039	VA-542	Ball Valve
190851	HAF-407	Bracket Assembly for 13-0041 and 13-0042

130059 (HAR-507) 60 CFM Air Regulator

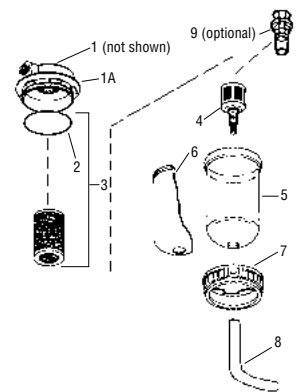


Ref. No.	Order No.	Model No.	Description	Ind. Parts Req.
1	—	—	#10-32x9/16 Fillister Hd. Screw	6
2	191429	HAR-14	Cover	1
3	—	—	Spring Button	1
4	—	—	Diaphragm Spring	1
5	—	—	Body	1
6	—	—	Pipe Plug 1/4" NPT(M)	1
7	—	—	Bottom Plug	1
+8	191554	KK-4977	Repair Kit (Does NOT incl. #5 & #6) (See contents below)	1

+ Regulator Repair Kit 191554 (KK-4977)

Ref. No.	Description	Qty.
9	Diaphragm Assembly	1
10	O-Ring	1
11	Valve	1
12	O-Ring	1
13	Spring	1
14	O-Ring	1

130027 (HAF-505) 55 CFM Coalescing Filter



Ref. No.	Order No.	Model No.	Description	Ind. Parts Req.
1	190883	HAF-404	Filter Change Indicator	1
1A	—	—	Cover	1
2	—	—	O-Ring (comes w/#3)	1
3	190845	HAF-28	Filter & O-Ring Kit	1
4	190771	HAF-18	Automatic Drain (Standard)	1
5	190763	HAF-8	Plastic Bowl	1
6	191417	HAF-19	Metal Bowl Guard	1
7	190869	HAF-409	Clamp Ring	1
8	—	—	1/2 x 3/8 Vinyl Tubing—6 ft.	1
9	190766	HAF-11	Manual Drain (Optional)	1

NOTE

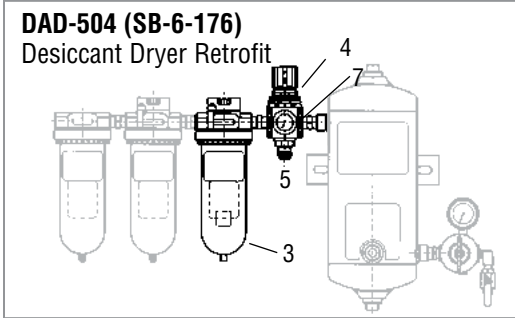
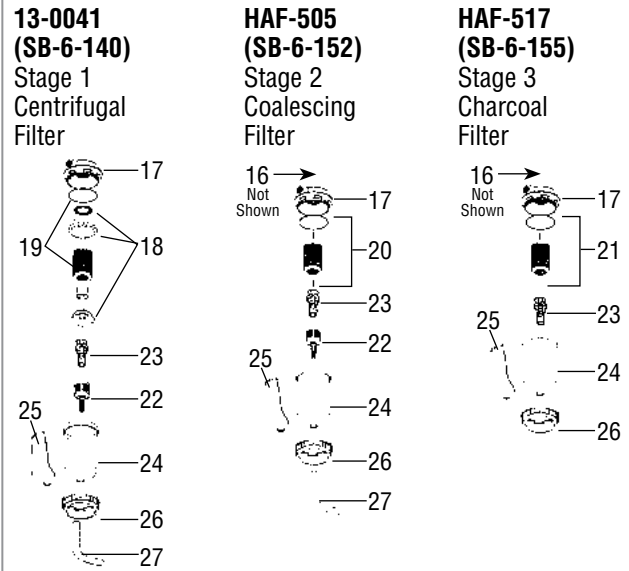
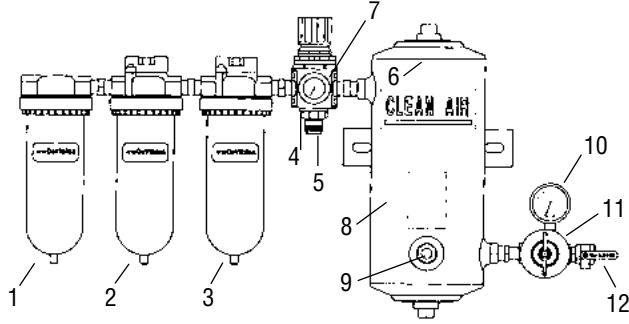
The regulator on CleanAir Units manufactured prior to 9/97 was 13-0045 (HAR-506). HAR-600 includes HAR-507 Regulator, GA-288 Gauge and VA-542 Ball Valve.

Breathable Air Filtration Units

PARTS AND ASSEMBLY

Refer to Service Bulletins:

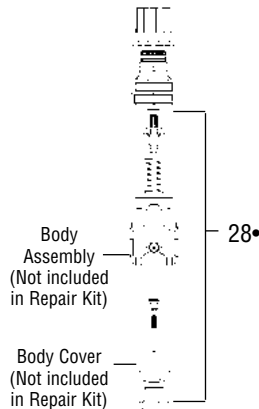
- SB-6-159 DAD-503
- SB-6-132 HAF-601



● Diaphragm Repair Kit 190938 (KK-5045)

Description	Qty.
Thrust Washer	1
Adjusting Screw Assembly	1
Main Spring	1
Slip Ring	1
Diaphragm Assembly	1
Valve Assembly	1
Valve Spring	1

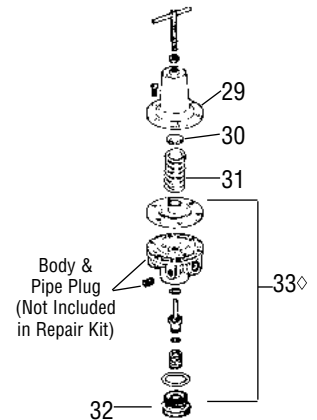
HAR-508 (SB-6-133)
Air Regulator



◇ Repair Kit 191554 (KK-4977)

Description	Qty.
Diaphragm Assembly	1
O-Ring	1
Valve	1
O-Ring	1
Spring	1
O-Ring	1

HAR-507 (SB-6-147)
Air Regulator



Ref. No.	Order No.	Model No.	Description	Ind. Parts Req.
1	130041	13-0041	Air Filter/Separator	1
2	130027	HAF-505	Coalescing Filter	1
3	130086	HAF-517	Charcoal Filter	1
4	130091	HAR-508	Flow-Thru Regulator	1
5	190939	MPV-424	Breathable Air Quick Release Socket	1
6	190953	DAD-8	Screen (Not Shown)	2
7	190093	GA-316	Gauge	1
8	190877	PT-417	Desiccant Tank (without desiccant, includes Ref. No. 6)	1
9	190895	DAD-400	Humidity Indicator (1 Humidity Indicator Paper Included)	1
10	190564	GA-288	Gauge	1
11	130059	HAR-507	Air Regulator	1
12	240039	VA-542	Ball Valve	1
13	190831	DAD-1	Replacement Desiccant (Not Shown) (1 Humidity Indicator Paper Included)	1
14	130030	DAD-600	Desiccant Tune-Up Kit (Not Shown) Includes 1 ea: DAD-1, DAD-3, & HAF-6	1
14	802182	DAD-600-1	Desiccant Tune-Up Kit (Not Shown) Includes 1 ea: DAD-1, DAD-3, HAF-6 & HAF-28	1
15	190939	MPV-424	Quick Release Socket (Not Shown)	1
16	190883	HAF-404	Filter Change Indicator (Not Shown)	1
17	—	—	Cover	1
18	190856	HAF-26	Baffle Kit	1
19	190727	HAF-6	Filter & O-Ring Kit	1
20	190845	HAF-28	Filter & O-Ring Kit	1
21	190937	HAF-36	Filter & O-Ring Kit	1
22	190771	HAF-18	Automatic Drain (Standard)	1
23	190766	HAF-11	Manual Drain (Optional)	1
24	190763	HAF-8	Plastic Bowl	1
25	191417	HAF-19	Metal Bowl Guard	1
26	190869	HAF-409	Clamp Ring	1
27	—	—	1/2 x 3/8 Vinyl Tubing, 6 ft.	1
●28	190938	KK-5045	Diaphragm Repair Kit	1
29	191429	HAR-14	Cover	1
30	—	—	Spring Button	1
31	—	—	Diaphragm Spring	1
32	—	—	Bottom Plug	1
◇33	191554	KK-4977	Repair Kit	1