



*Impact Sockets,
Chisels & Attachments*

EVERYTHING IMPACT.®





GP is **EVERYTHING IMPACT**®

Grey Pneumatic (GP) through our distributors supplies the world's automotive, industrial, assembly, mining, maintenance, construction, and energy industries with heavy duty, high quality impact and specialty sockets. We carry a complete line of Impact Socket sets and individuals from 1/4" drive thru 2-1/2" and #5 spline drive with hex sizes up to 8". We also offer a large selection of star impact drivers, impact hex drivers, triple square drivers, torque limiting extensions plus Impact chisels and accessories.

GP sockets and tools are made in Taiwan using the highest quality chrome-molybdenum alloy steel and state-of-the-art manufacturing processes and equipment. Thorough and exact heat treatment, as well as rigid quality control, ensures the correct balance of strength and durability to deliver outstanding performance at the most competitive cost.

GP Tools are available through Automotive and Industrial warehouse distributors, tool stores, mobile tool truck dealers, tire equipment and supply warehouses and other sources that service these markets.

GP offers **Fast and Reliable** service to all of our distributors and their customers.



*GP Tools carry a
Lifetime Warranty.*

All GP Impact Sockets feature the GP "High Torque" Drive

Benefits are:

Increased Strength - Transfers the pressure from the thinnest part of the socket wall toward the thicker section, resulting in increased strength.

Increased Torque - Allows up to 20% more torque to be applied than on standard hex impact sockets.

Easier Access to Tight Areas - The shift in pressure allows us to reduce the socket wall thickness, increasing access to tight areas.

Reduced Wear - Our impact sockets grip the fastener across a broader contact area, reducing the chance of rounding off fasteners.



*GP "High Torque"
drive offers many
benefits.*



*All GP Sockets feature
extra-large size markings
for quick identification.*

EVERYTHING IMPACT®



1" Drive Heavy Duty Universal Impact Sockets



6 1" Drive - Heavy Duty Universal - Fractional Sizes

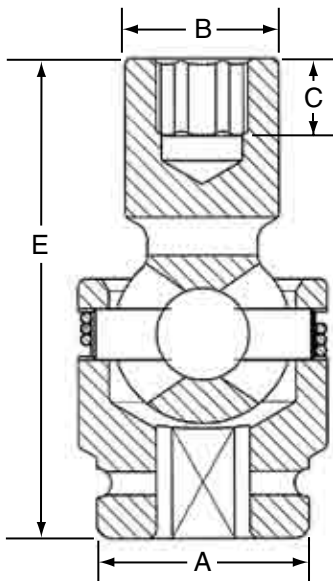
SAE

This Heavy-Duty design features a rotating ball U-joint for smoother operation & maximum durability under demanding conditions. The smooth operation also allows more torque to reach the fastener.



Item Number	Hex Size	*Retaining Devices			Dimensions (Inches)			
		P	O	RI	A	B	C	E
4028U	7/8"	4521	4511	4111	2.28	1.54	0.79	5.20
4030U	15/16"	4521	4511	4111	2.28	1.57	0.79	5.20
4032U	1"	4521	4511	4111	2.28	1.65	0.79	5.20
4034U	1-1/16"	4521	4511	4111	2.28	1.73	0.79	5.20
4036U	1-1/8"	4521	4511	4111	2.28	1.81	0.79	5.20
4038U	1-3/16"	4521	4511	4111	2.28	1.97	0.79	5.20
4040U	1-1/4"	4521	4511	4111	2.28	2.05	0.79	5.20
4042U	1-5/16"	4521	4511	4111	2.28	2.17	0.83	5.20
4044U	1-3/8"	4521	4511	4111	2.28	2.17	0.91	5.20
4046U	1-7/16"	4521	4511	4111	2.28	2.20	0.91	5.20
4048U	1-1/2"	4521	4511	4111	2.28	2.32	0.94	5.39
4050U	1-9/16"	4521	4511	4111	2.28	2.44	0.94	5.39
4052U	1-5/8"	4521	4511	4111	2.28	2.48	1.02	5.39
4054U	1-11/16"	4521	4511	4111	2.28	2.60	1.02	5.39
4056U	1-3/4"	4521	4511	4111	2.28	2.68	1.18	5.59
4058U	1-13/16"	4521	4511	4111	2.28	2.72	1.18	5.59
4060U	1-7/8"	4521	4511	4111	2.28	2.87	1.18	5.59
4062U	1-15/16"	4521	4511	4111	2.28	2.91	1.22	5.59
4064U	2"	4521	4511	4111	2.28	2.99	1.22	5.59

6 Heavy Duty Universal - Metric Sizes



Item Number	Hex Size	*Retaining Devices			Dimensions (Millimeters)			
		P	O	RI	A	B	C	E
4024UM	24mm	4521	4511	4111	58	40	20	132
4026UM	26mm	4521	4511	4111	58	42	20	132
4027UM	27mm	4521	4511	4111	58	44	20	132
4029UM	29mm	4521	4511	4111	58	48	20	132
4030UM	30mm	4521	4511	4111	58	50	20	132
4032UM	32mm	4521	4511	4111	58	52	20	132
4033UM	33mm	4521	4511	4111	58	53	21	132
4034UM	34mm	4521	4511	4111	58	55	21	132
4035UM	35mm	4521	4511	4111	58	55	23	132
4036UM	36mm	4521	4511	4111	58	56	23	132
4038UM	38mm	4521	4511	4111	58	59	24	137
4041UM	41mm	4521	4511	4111	58	63	26	137
4042UM	42mm	4521	4511	4111	58	64	26	137
4043UM	43mm	4521	4511	4111	58	66	26	137
4044UM	44mm	4521	4511	4111	58	67	26	137
4045UM	45mm	4521	4511	4111	58	68	30	142
4046UM	46mm	4521	4511	4111	58	69	30	142
4047UM	47mm	4521	4511	4111	58	72	30	142
4048UM	48mm	4521	4511	4111	58	73	30	142
4050UM	50mm	4521	4511	4111	58	74	31	142

* Retaining Devices Key found on page 124.

