

Gravity Feed HVLP and Mini-HVLP



FX3000



FX1000

- Value – Quality guns at affordable prices
- Innovation – A class leader with 29% fewer parts, readily available repair kits, optional 3M™ PPS™ adapters, optional interchangeable cups and lowest trigger pull among guns in its class
- Performance – Unmatched spray pattern size and quality

The FX3000 is a full-size HVLP gun with a large fan pattern, and the FX1000 mini-HVLP has two-finger control for anti-fatigue painting in confined access areas like doorjamb or for detailed touch-up work.

- Air Inlet Size: 1/4 in npsm (R 1/4 - 19)
- Max. Air Inlet Pressure: 29 psi (0.2 MPa, 2.0 bar)
- Pattern Size: FX3000 12.5 in, FX1000 9 in
- Air Consumption at 29 psi (0.2 MPa, 2.0 bar):
FX3000 9.5 SCFM, FX1000 7.0 SCFM
- Cup Size: FX3000 20 oz (600 cc), FX1000 4 oz (125 cc)
- Weight with Cup:
FX3000 1.1 lb (0.5 kg), FX1000 0.9 lb (0.4 kg)
- Finish: Black Nickel
- Instruction Manual: PN 312372
- Reference p. 45



Size	Gun PN	Needle, Nozzle, Aircap Kits	Applications
HVLP FX3000			
1.0 mm	288878	289296	Base and clear coats, light industrial, hobby, spot repair
1.3 mm	288879	289297	Base and clear coats, high solid, single stage
1.4 mm	288880	289298	Base and clear coats, single stage, sealers, low solid clear, clear coat
1.5 mm	288881	289299	Base and clear coats, sealers, enamels, medium to high viscosity
1.8 mm	288882	289300	Primer, high viscosity
Mini-HVLP FX1000			
1.0 mm	289200	289288	Base and clear coats, light industrial, hobby, spot repair
1.2 mm	289221	289289	Base and clear coats, high solid, single stage
1.4 mm	289222	289290	Base and clear coats, single stage, sealers, low solid clear, general purpose

Ultra Mini Aluminum Cup
125 cc



PN 289517 (p. 25)

Mini Aluminum Cup
250 cc



PN 289321 (p. 25)

3M™ PPS™
Adapter



PN 289520 (p. 26)

FX1000, 1.0 needle,
nozzle repair, aircap kit

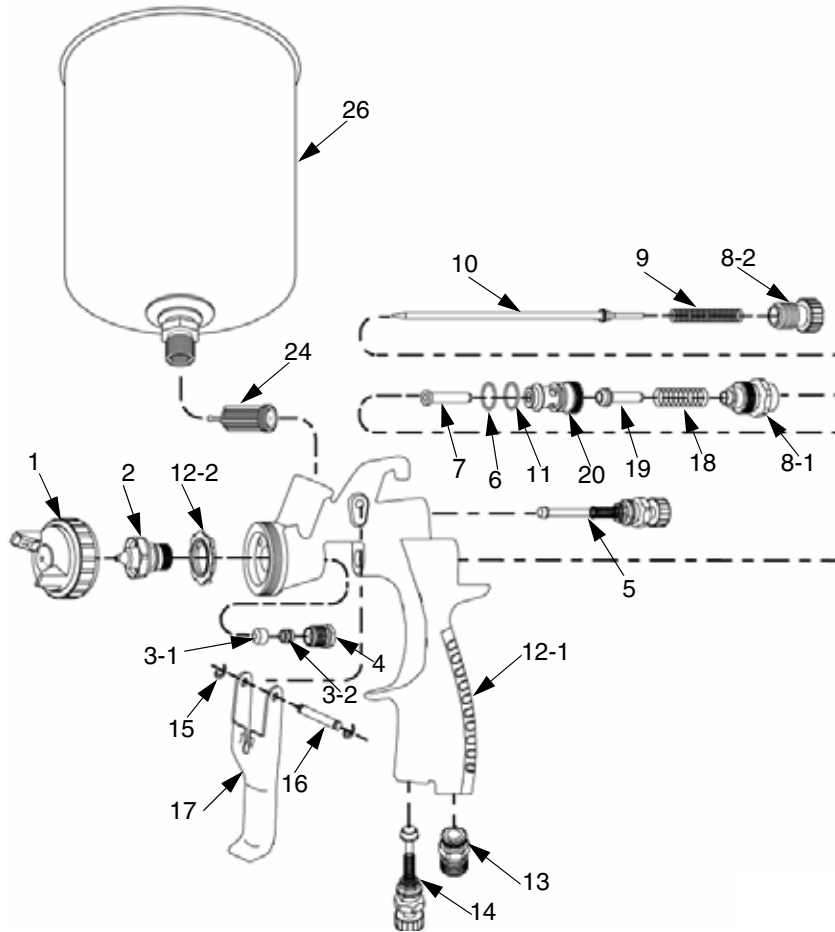


PN 289288

REFERENCE

REPLACEMENT PARTS DRAWINGS INDEX

Finex 1000/2000/3000 Series Parts / Pièces / Piezas



Ref. No.	Description	Qty.
1	CAP, air	1
2	NOZZLE fluid	1
3-1*	PACKING, fluid needle	1
3-2*	PACK NG fluid needle	1
4*	NUT, packing	1
5*	KNOB, pattern adjustment	1
6*	O-RING	1
7*	GUIDE, fluid needle	1
8-1*	GUIDE, fluid adjusting	1
8-2*	KNOB, fluid adjusting	1
9*	SPRING, fluid needle	1
10	NEEDLE, fluid	1
11*	O-RING	1
12-1	BODY, gun	1
12-2*	DISTRIBUTOR, air	1
13*	FITTING, air inlet	1
14*	VALVE, air adjustment	1
15*	RING, retaining	2
16*	PIN trigger	1
17*	TRIGGER	1
18*	SPRING, air valve	1
19*	VALVE, air	1
20*	SEAT, air valve	1
24*	FILTER, fluid (PN 24A230 - 10/pk)	1
26	CUP, gravity, aluminum	1
27	TOOL, gun (not shown)	1

Accessories

Model	Needle/ Nozzle Size	Needle, Nozzle, Aircap Kit (Parts 1, 2, and 10)	Needle Packing Kit (parts 3-1, 3-2, and 4)	Gun Body Kit (part 12-1)	Gun Rebuild Kit (includes parts marked *)	Gravity Cup (aluminum)	PPS Adapter
FX1000 Mini-HVLP	0.6	289286	288890	289314	288895	289517 (125 cc) Standard	289520
	0.8	289287					
	1.0	289288					
	1.2	289289					
	1.4	289290					
FX2000 Conventional	1.0	289291	288891	289315	288896	289320 (600 cc)	289520
	1.3	289292					
	1.4	289293					
	1.5	289294					
	1.8	289295					
FX3000 HVLP	1.0	289296	288891	289315	288896	289320 (600 cc)	289520
	1.3	289297					
	1.4	289298					
	1.5	289299					
	1.8	289300					