

Air Filters

Contamination Elimination



Model F88 Air Filter

Model F88 Air Filter is highly effective at removing water, oil & contamination. It protects air cylinders and air tools and features a reusable edge-type filter element.

PN	Description
8130	Air filter, 75 cfm
U32719	Replacement filter element

- 5 micron filtration
- Air Inlet Size: 1/2 in NPT
- Air Outlet Size: 3/8 in NPT and 1/4 in NPT plugged
- Max. Operating Pressure: 160 psi (11.0 bar)
- Filter Capacity: 75 cfm
- Instruction Manual: PN 310603
- Reference p. 57



Model F88M Mechanic's Air Filter

Model F88M Mechanic's Air Filter is designed for the mechanic who wants to protect their investment in air tools. This unit is portable and easily mounts anywhere. It is designed for use with quick couplers.

PN	Description
8135	Air filter with quick connect, 75 cfm
U32719	Replacement filter element

- 5 micron filtration
- Air Inlet Size: 1/4 in NPT
- Air Outlet Size: 1/4 in NPT and 1/4 in NPT plugged
- Max. Operating Pressure: 160 psi (11.0 bar)
- Filter Capacity: 75 cfm
- Instruction Manual: PN 310603
- Reference p. 57



Model 606 Air Filter

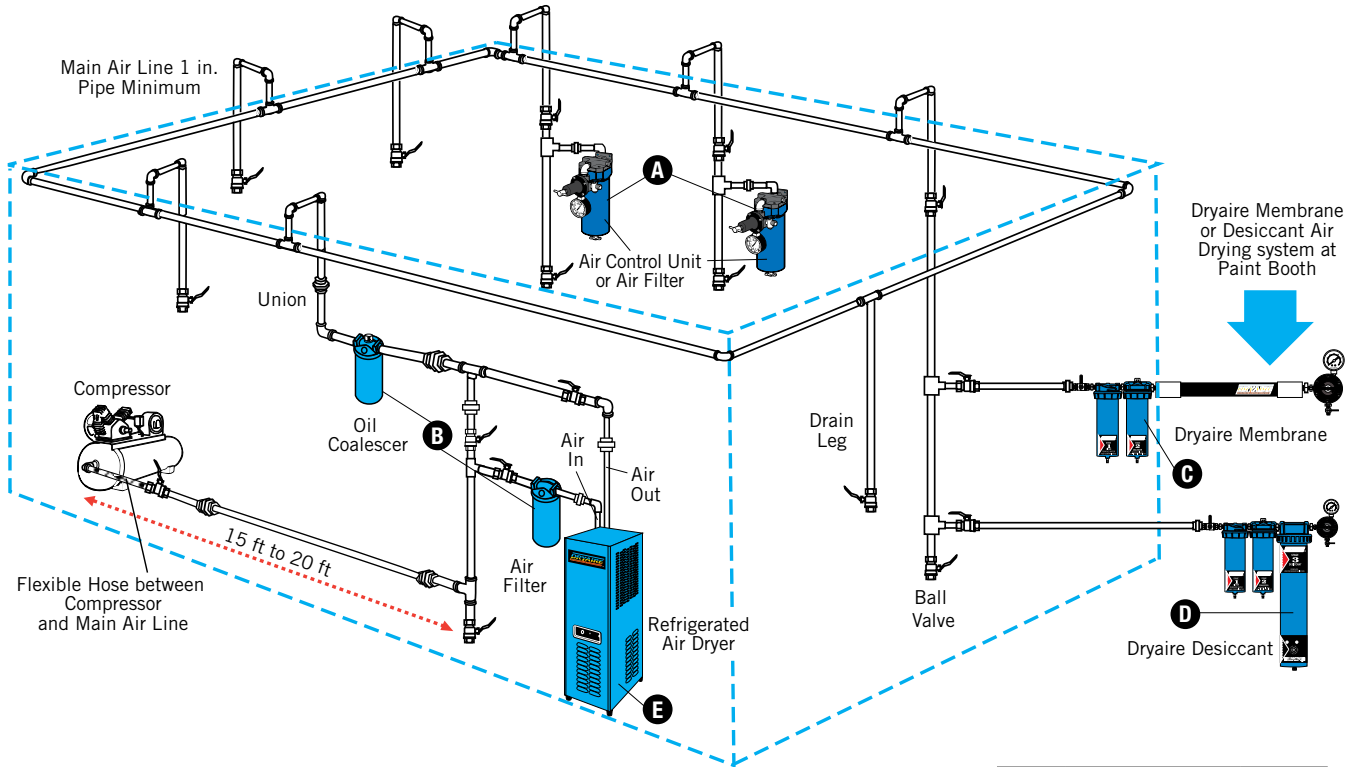
The Model 606 Air Filter is most effective at removing water, oil & contamination. Its features include a large, reusable, edge-type filter element.

PN	Description
U06710	Air filter, 120 cfm
19930	Replacement filter element

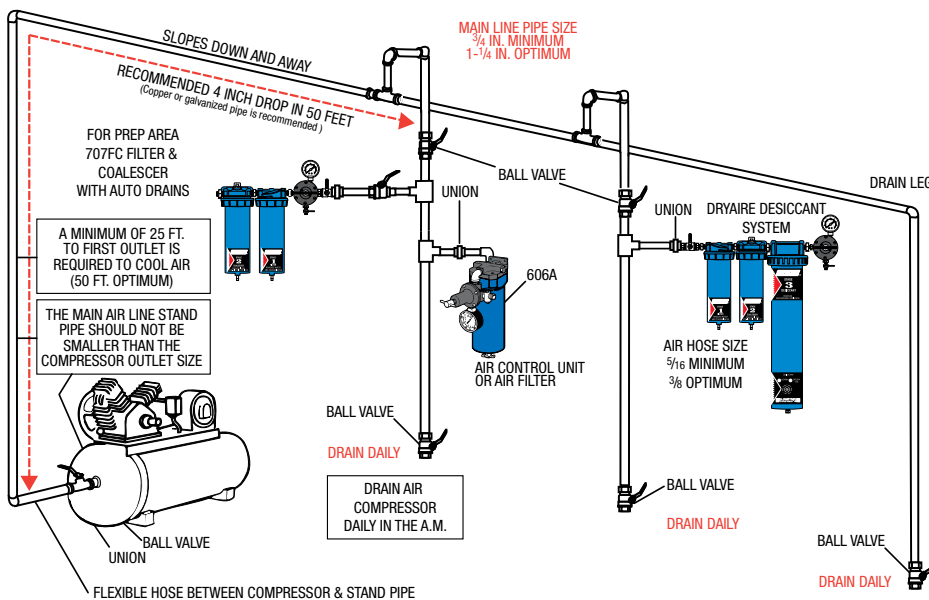
- 5 micron filtration
- Air Inlet Size: 1/4 in NPT
- Air Outlet Size: 1/4 in NPT and 1/4 in NPT plugged
- Max. Operating Pressure: 160 psi (11.0 bar)
- Filter Capacity: 120 cfm
- Instruction Manual: PN 310601
- Reference p. 59

Shop Air Piping Layout

Refrigerated Air Dryer & Dryaire System Layout



Dryaire Desiccant System

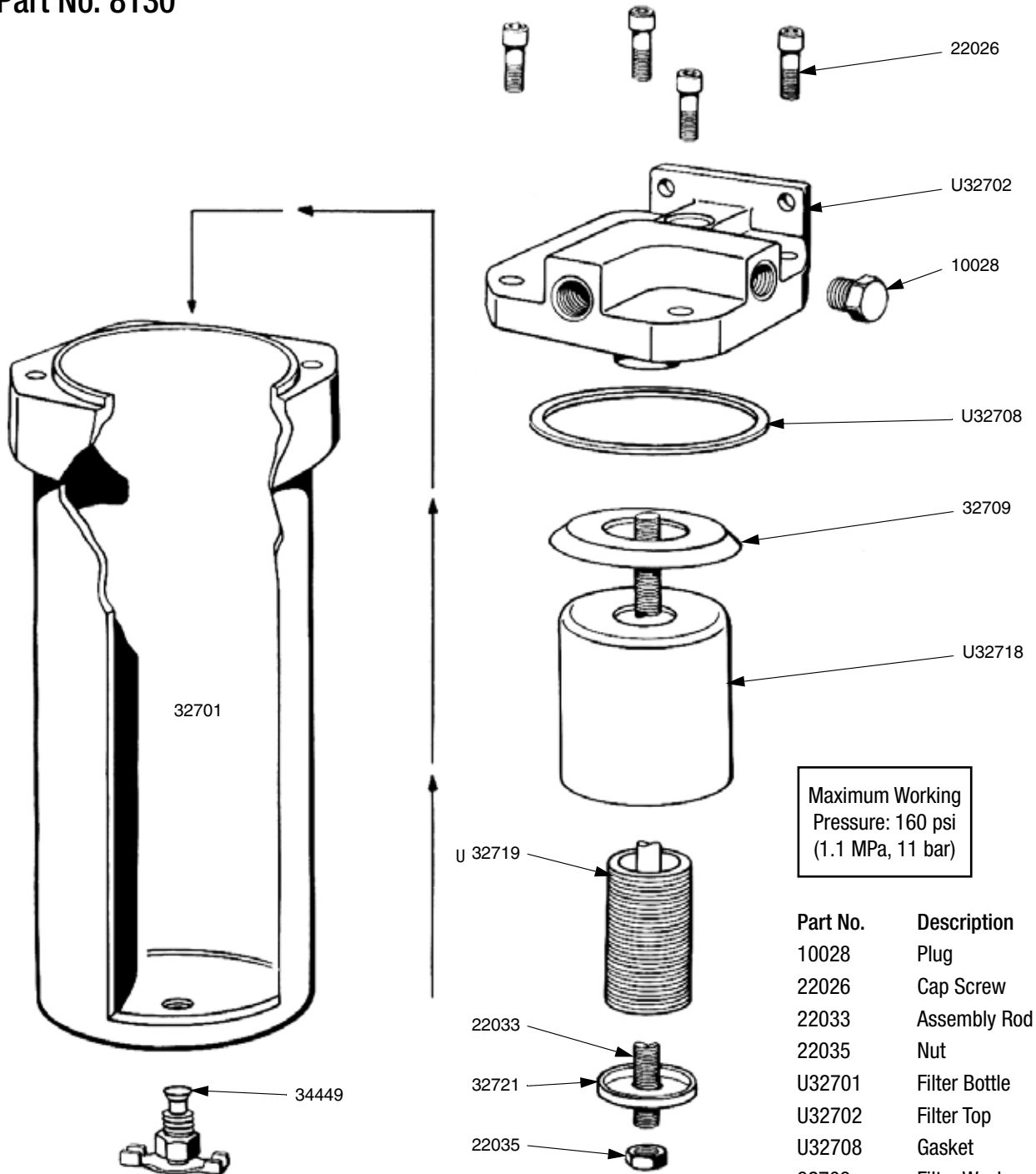


Ref. Letter	Description	Model No.
A	Sharpe 606	U06710
	Sharpe 606A	U06720
	Sharpe 606B	6730
	Sharpe 880A	6950
	Sharpe F88	8130
B	707C	6930
	707F	6920
	707FC	6910
C	Dryaire Membrane	6770
D	Dryaire Desiccant	6760
E	Refrigerated Air Dryer	
	25CFM	6880
	35CFM	6885
	50CFM	6890
	75CFM	6895

REFERENCE

REPLACEMENT PARTS DRAWINGS INDEX

F88 Air Filter
Part No. 8130

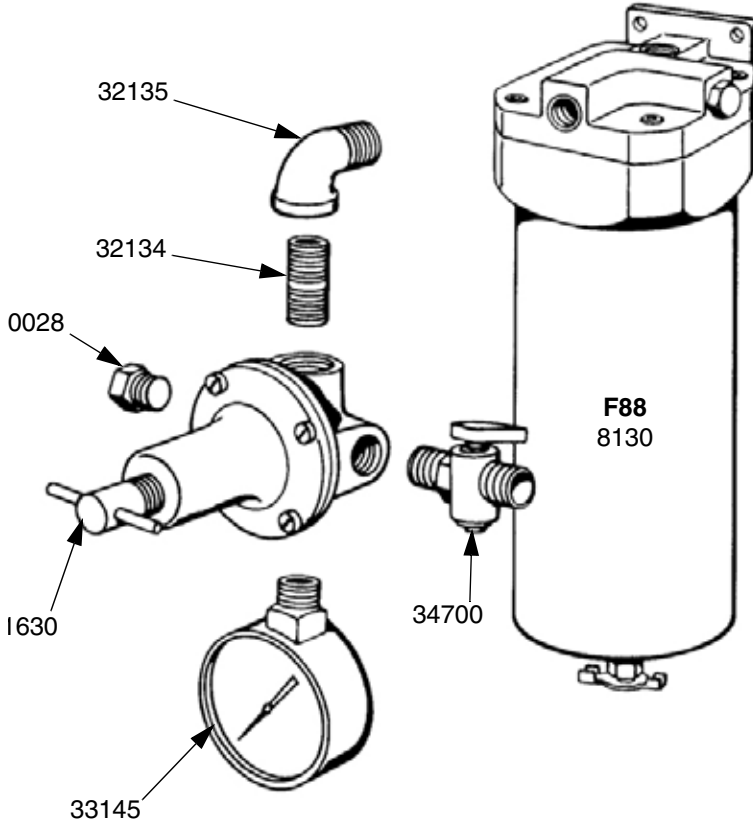


Part No.	Description
10028	Plug
22026	Cap Screw
22033	Assembly Rod
22035	Nut
U32701	Filter Bottle
U32702	Filter Top
U32708	Gasket
32709	Filter Washer
U32718	Shield
U32719	Filter Element
32721	Retainer
34449	Drain Cock

REFERENCE

REPLACEMENT PARTS DRAWINGS INDEX

880A Air Control Unit Part No. 6950



Part No.	Description
1630	Air Regulator
8130	Air Filter
1002	8 Plug
32134	Nipple
32135	Elbow
33145	Gauge
34700	Air Cock

Maximum Working
Pressure: 160 psi
(1.1 MPa, 11 bar)

Air Regulator Part No. 1610

2 Regulated Outlets
1 Main Line Outlet (bypass)

