

# Air Filters

## Contamination Elimination



### Model F88 Air Filter

Model F88 Air Filter is highly effective at removing water, oil & contamination. It protects air cylinders and air tools and features a reusable edge-type filter element.

PN	Description
8130	Air filter, 75 cfm
U32719	Replacement filter element

- 5 micron filtration
- Air Inlet Size: 1/2 in NPT
- Air Outlet Size: 3/8 in NPT and 1/4 in NPT plugged
- Max. Operating Pressure: 160 psi (11.0 bar)
- Filter Capacity: 75 cfm
- Instruction Manual: PN 310603
- Reference p. 57



### Model F88M Mechanic's Air Filter

Model F88M Mechanic's Air Filter is designed for the mechanic who wants to protect their investment in air tools. This unit is portable and easily mounts anywhere. It is designed for use with quick couplers.

PN	Description
8135	Air filter with quick connect, 75 cfm
U32719	Replacement filter element

- 5 micron filtration
- Air Inlet Size: 1/4 in NPT
- Air Outlet Size: 1/4 in NPT and 1/4 in NPT plugged
- Max. Operating Pressure: 160 psi (11.0 bar)
- Filter Capacity: 75 cfm
- Instruction Manual: PN 310603
- Reference p. 57



### Model 606 Air Filter

The Model 606 Air Filter is most effective at removing water, oil & contamination. Its features include a large, reusable, edge-type filter element.

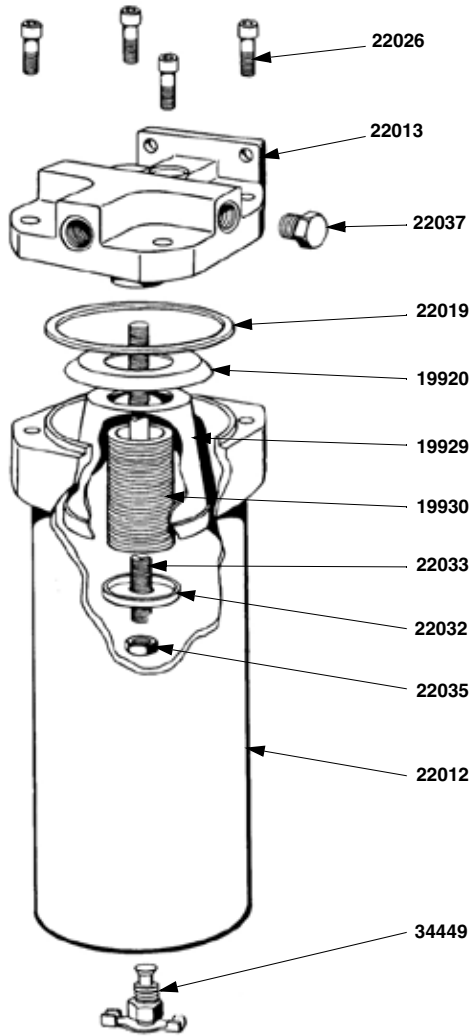
PN	Description
U06710	Air filter, 120 cfm
19930	Replacement filter element

- 5 micron filtration
- Air Inlet Size: 1/4 in NPT
- Air Outlet Size: 1/4 in NPT and 1/4 in NPT plugged
- Max. Operating Pressure: 160 psi (11.0 bar)
- Filter Capacity: 120 cfm
- Instruction Manual: PN 310601
- Reference p. 59

# REFERENCE

## REPLACEMENT PARTS DRAWINGS INDEX

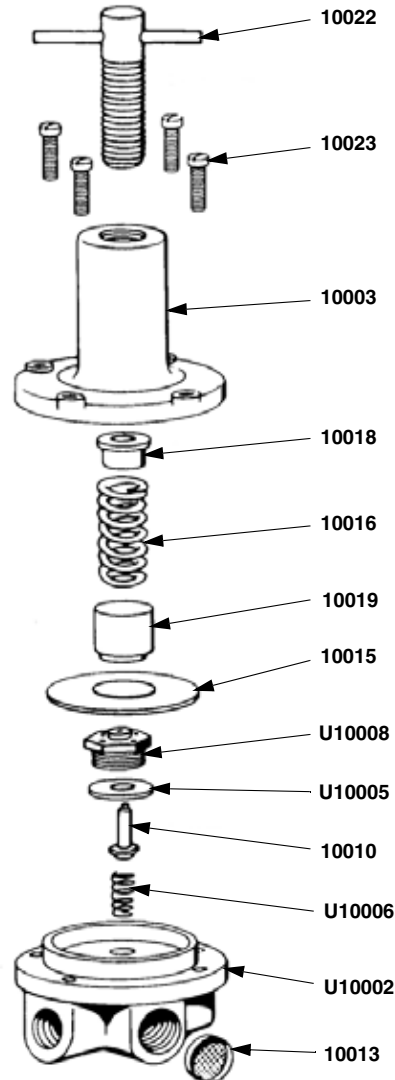
### Model 606 Air Filter Part No. U06710



Part No.	Description
22026	Screw
22013	Bottle Lid
22037	Plug
22019	Gasket
19920	Washer
19929	Shield
19930	Filter Element
22033	Rod Assembly
22032	Retainer
22035	Nut
22012	Mach Filter Bottle
34449	Air Cock Regulator Valve

Maximum Working Pressure: 160 psi (1.1 MPa, 11 bar)
---

### 18C-3R Air Regulator Part No. 1630



Part No.	Description
10022	Adjusting Screw
10023	Screw
10003	Bonnet
10018	Washer Spring
10016	Pressure Spring
10019	Vibration Dampener
10015	Diaphragm
10008	Valve Body
10005	Valve Seat
10010	Valve
10006	Valve Spring
10002	Body
10013	Brass Screen

Maximum Working Pressure: 160 psi (1.1 MPa, 11 bar)
---