

## G550



Made in USA

### OWNERS MANUAL



This manual contains important information concerning the installation and operation of the gun washers listed above. **Read manual thoroughly and keep for future reference**

#### INSTRUCTIONS



#### Herkules Patent Numbers

These products have patent protection under one or more of the following patent numbers:

9422142, 8733508, 8714524, 866247, 8052120, 7070167, 5485860, 5193561, 5174317, 4960142, 4793369 and Patents Pending

Website: [www.herkules.us](http://www.herkules.us)  
E-mail: [info@herkules.us](mailto:info@herkules.us)

Herkules Equipment Corporation  
2760 Ridgeway Court  
Walled Lake, MI 48390-1662 USA

Toll Free: 800-444-4351  
Phone: 248-960-7100  
Fax: 248 960-7109

# Table of Contents

Warranty	3
Model Information	4
Warnings	5-6
Installation	7
Operation	7 - 9
Preventive Maintenance	10
Troubleshooting	10
Drawings with Part Lists	11 - 15
G550 Schematic	16

## Herkules Equipment Corporation

A U.S.-based manufacturer, Herkules Equipment Corporation offers a diverse line of products that support multiple industries by improving efficiency, productivity, ergonomics, comfort, and safety in the work environment. The company consists of the three product lines: Herkules, Enkon and BossLifts.

Since 1985, Herkules has designed, engineered and manufactured quality products at our Walled Lake, Michigan facility. Our company supports our products after delivery, with U.S. based customer service, and replacement parts, enabling our customers to proceed with confidence.

To learn more about Herkules, visit <http://herkules.us>. Contact us at [info@herkules.us](mailto:info@herkules.us) with any questions or concerns.

Thank you for purchasing a Herkules product!

# Warranty

**IMPORTANT NOTICE:** if you have a problem with your Herkules product,

## **DO NOT RETURN TO PLACE OF PURCHASE**

Contact Herkules: by phone 1-800-444-4351; by email, [info@herkules.us](mailto:info@herkules.us); or on the web at [herkules.us/contact-us](http://herkules.us/contact-us).

At Herkules we take great pride in the construction of our American-made products, and we stand behind their reliability. Our limited liability warranty coverage for Paint Gun Washers warranties the unit for a period of 12 months. Washer pumps have a separate warranty; the Herkules 338 pump is protected for a period of 2 years from the date of purchase. All other pumps, including rinse pumps, are warrantied for 12 months.

This warranty does not apply to equipment damaged from accident, abuse, overload, misuse, negligence, improper installation, abrasive or corrosive materials, or shipping damage.

In the event of product failure, the defective item must be returned, freight prepaid, to the Herkules manufacturing plant for repair or replacement. If repairs are required, Herkules will not be liable for these repairs to take place in the field regardless of the application. Proof of purchase and date of purchase must be confirmed. An RGA\* (Returned Goods Authorization) and written approval from Herkules must be obtained before any goods can be shipped to Herkules. We reserve the right to Determine whether failure is due to defective material, normal wear, and / or other causes.

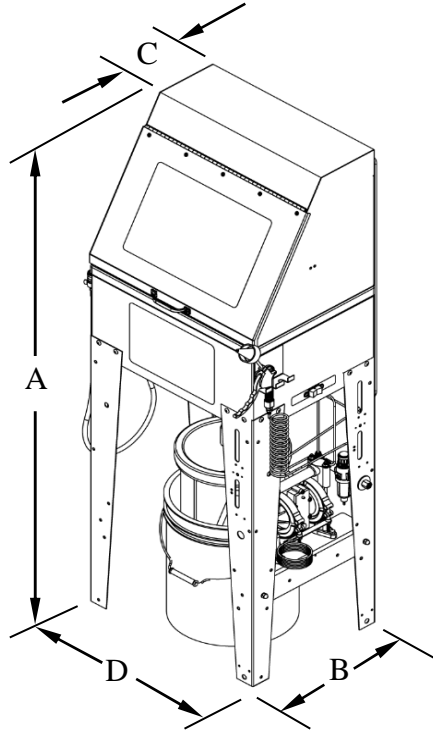
***There are no warranties which extend beyond the description on the face hereof. Herkules disclaims any warranty of merchantability or fitness for a particular purpose in connection with the Buyer's purchase of any Product under this agreement. Damages are limited to the sales price of the Herkules system. The terms and conditions herein represent the entire agreement between Herkules and the Buyer. Any prior / future representations do not apply.***

\*To obtain a RGA, contact Herkules at 1-800-444-4351 and have the item model, serial numbers, and invoice number if applicable.

Upon receipt of your equipment, please write your purchase information below. Please retain this manual for your records.

Serial Number \_\_\_\_\_ Model Number \_\_\_\_\_  
Purchase Date \_\_\_\_\_ Distributor (if applicable) \_\_\_\_\_

# Model Information



**NOTE:** Dimensions listed are overall measurements.

Model	Description	Weight lbs/(kg)	Dimensions in./(mm)			
			A	B	C	D
G550	Manual cleaning waterborne Gun Washer includes pressure cleaning nozzle, clean rinse nozzle, flow thru brush and agitator / accelerator.	69 (31.3)	56 (1422)	15.5 (394)	6.5 (165)	20.38 (518)

## Warning Symbol



This symbol alerts you to the possibility of serious injury or death if you do not follow the instructions.

## Caution Symbol



This symbol alerts you to the possibility of damage to or destruction of equipment if you do not follow the instructions.



## WARNING



### EQUIPMENT MISUSE HAZARD

Equipment misuse can cause the equipment to rupture, malfunction, or start unexpectedly and result in serious injury.

- This equipment is for professional use only.
- Read all instruction manuals, tags, and labels before operating the equipment.
- Use the equipment only for its intended use.
- Do not alter or modify this equipment.
- Do not exceed the maximum working pressure of the lowest rated system component.
- Do not operate the gun washer at a pressure above the maximum working pressure rating of the gun(s) being cleaned.
- Route the hoses away from traffic areas, sharp edges, moving parts, and hot surfaces.
- Do not use the hoses to pull the equipment.
- Do not move pressurized equipment.
- Comply with all applicable local, state and national fire, electrical and other safety regulations.



### PRESSURIZED EQUIPMENT HAZARD

Spray from hose leaks, ruptured components, or from operating the gun washer with an open lid can splash fluid in the eyes or on the skin and cause serious injury.

- Do not stop or deflect fluid leaks with your hand, body, glove, or rag.
- Tighten all fluid connections before operating the equipment.
- Replace worn, damaged, or loose parts immediately.



## WARNING



### FIRE AND EXPLOSION HAZARD



Improper grounding, poor air ventilation, open flames, or sparks can cause a hazardous condition and result in fire or explosion and serious injury.

- Ground the equipment. See Installation for grounding procedure.
- Provide fresh air ventilation to avoid the build up of fumes.
- Extinguish all open flames or pilot lights in the gun washer area.
- Disconnect all electrical equipment in the gun washer area.
- Keep the gun washer area free of debris, including cleaning solutions, rags, and gasoline.
- Do not turn on any light switch in the gun washer area while operating or if fumes are present.
- Do not smoke in the gun washer area.
- Do not operate a gasoline engine in the gun washer area.
- If there is any static sparking while using the equipment, **stop operation immediately**. Identify and correct the problem.



### TOXIC FLUID HAZARD

Hazardous fluids or toxic fumes can cause serious injury or death if splashed in eyes or on the skin, swallowed, or inhaled.

- Know the specific hazards of the fluid you are using. Read the fluid manufacturer's warnings.
- Store hazardous fluid in an approved container. Dispose of hazardous fluid according to all local, state and national guidelines.
- Wear the appropriate protective clothing, gloves, eyewear and respirator.
- Pipe and dispose of the exhaust air safely. If diaphragm fails, the fluid may be exhausted along with the air.

# Installation

## Installing the Gun Washer

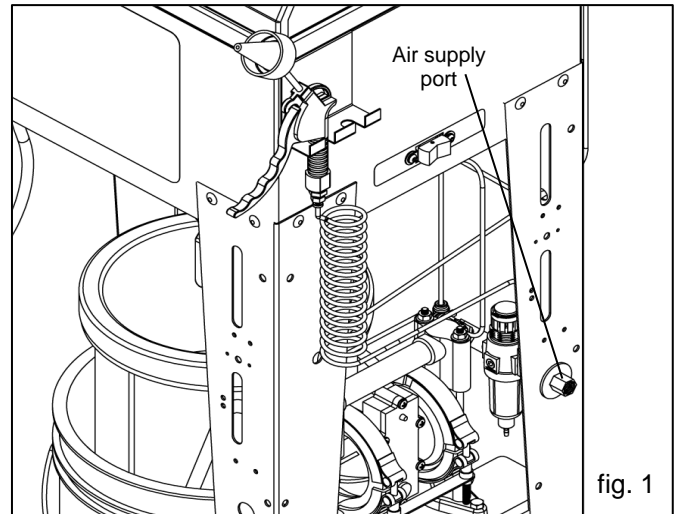
Place gun washer on a level surface in a properly ventilated paint mixing room or paint booth.

## Grounding the Gun Washer

- 1) Connect the ground wire on the gun washer's pump to a true earth ground.
- 2) Ground all equipment used or located in the gun washer area.

## Connecting the Air Line

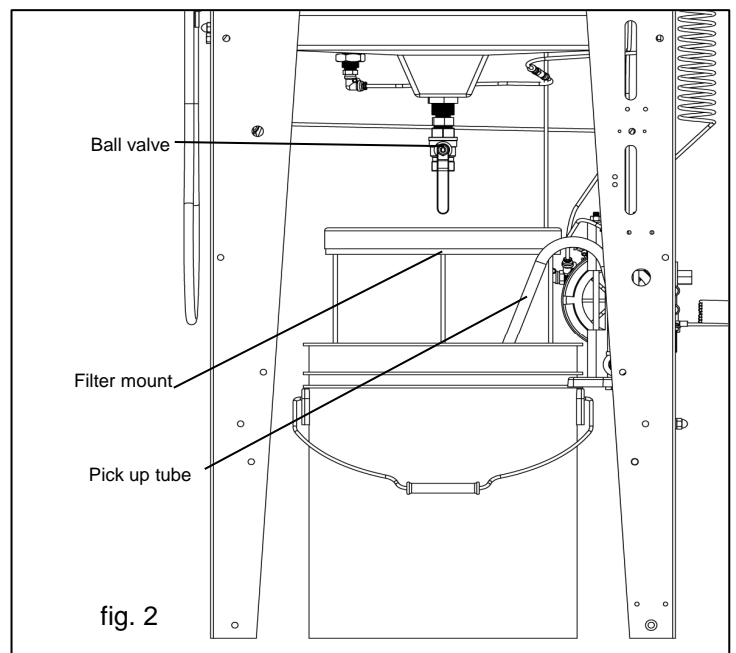
- 1) Install a 1/4 in. npt male coupler, that is compatible with the quick disconnect of your air supply line, into the air supply port of the filter/regulator (located on the back right leg).
- 2) Connect air line with at least 75 psi to the coupler. Filter/regulator is preset. **DO NOT ADJUST.**



# Operation

## Connecting the water to the washer

- 1) Insert the filter mount frame into the bucket.
- 2) Fill with water until the water level reaches the bottom of the filter support cross arms.
- 3) Connect the large filter bag to the filter mount frame so that the bottom of the filter is resting on the filter support.
- 4) Insert the small filter bag into the large bag and connect to the filter mount frame.
- 5) Place the bucket under the Gun Washer and insert the pick up tube between the bucket wall and the filter.
- 6) Close ball valve.



# Operation

## Preparing the Equipment to be washed

- 1) Remove paint cup or paint line and the air line from the paint gun.
- 2) Drain excess paint from cup and gun into a separate container.
- 3) Remove all gauges and regulators from painting equipment.
- 4) Remove the air cap/fluid tip from the paint gun.
- 5) Connect the air channel line to the spray gun using the supplied quick disconnects or replace the supplied quick disconnects with ones compatible with the shops equipment.

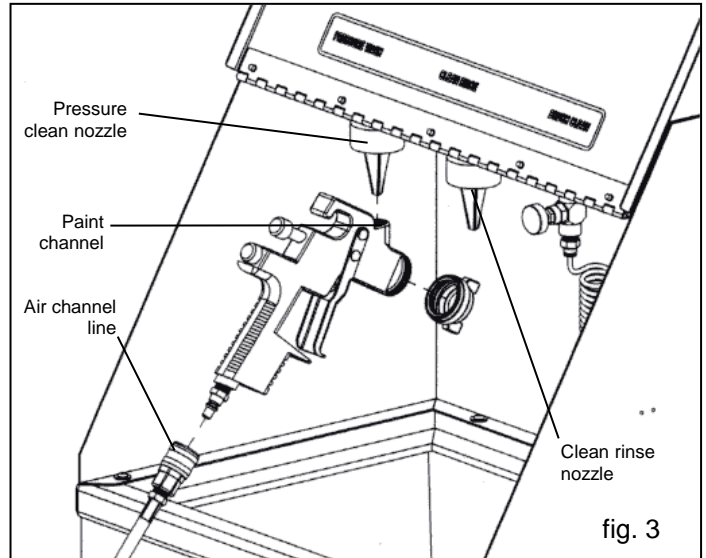
### **⚠ CAUTION**

All pressure gauges must be removed before placing the equipment in the gun washer to avoid damaging the gauges.

## Cleaning Equipment

- 1) To activate manual clean brush, turn handle on valve until water starts to flow. Flow can be adjusted using the handle on the manual brush valve.
- 2) Position the spray gun so the pressure clean nozzle is inserted into the paint channel of the spray gun. Lift up with the gun while squeezing the trigger to activate the push valve to send a pressurized flow of water through the gun's paint channel.

*Note: Position the spray gun so that the flow of water exiting the paint gun is contained within the Gun Washer tub*



## Operational Note:

- 1) The Gunwasher is set up to deliver water on demand for cleaning. This means that the right side pump **MUST** have a full draw bucket available when plugging the Gunwasher into plant air. If a bucket is not available, the pump will continue to cycle until a draw bucket is placed to supply water pressure to the Pressure Wash nozzle and the Manual Brush nozzle. Once water pressure is delivered to these ports, the pump will stop cycling. The pump may also cycle periodically to maintain water pressure to the Pressure Wash nozzle and the Manual Brush nozzle.



# Operation

## Clean rinse

- 1) Fill an additional bucket (not supplied) with distilled water.
- 2) Insert the clean rinse pick up tube located on the left side of the Gun Washer in the bucket.
- 3) Set the rinse / agitator switch on the right side of the Gun Washer to rinse.
- 4) Position the spray gun so the clean rinse nozzle is inserted into the paint channel of the spray gun.
- 5) Squeeze the trigger of the spray gun while lifting up with the gun to send a pressurized flow of clean water through the gun's paint channel.
- 6) Return the rinse / agitator switch to the neutral position when finished.
- 7) Use the air gun to dry off any wet components.

*Note: Reuse the cleaning solution / water mixture until it becomes tacky to the touch. Dispose of all waste materials according to local, state, and federal regulations.*

- 7) Empty the paint waste out of the inner filter. Place inner filter back on the filter holder for up to 10 uses.  
*Note: place solid waste onto a piece of cardboard to finish drying. This will speed the process as the cardboard will absorb the moisture from the paint debris.*
- 8) Close the ball valve. Replace filter bags (P/N 1003348 & P/N 1003351) as needed.
- 9) Dispose of all waste materials according to all local, state, and federal regulations.
- 10) Wipe inner tank after each use.

## Filtering Dirty water (optional)

- 1) Remove the cleaning platform from inside of the tank.
- 2) Pour the dirty paint mixture to be recycled into the tank. Do **not** exceed the 5 gallon capacity of the tank.
- 3) Add flocculant / coagulant to the dirty paint mixture. (Herkules CoAgent P/N CA01 recommended).

*NOTE: Herkules CoAgent recycling coagulant along with inner and outer filter bags can be purchased online at [www.herkules.us](http://www.herkules.us)*

- 4) If using Herkules CoAgent P/N CA01, add 1 tablespoon per 5 gallons of dirty paint mixture.
- 5) Set the switch on the side of the Gunwasher to Agitator. Stir mixture for 30 seconds during agitation. Allow the dirty paint mixture / flocculant mix to agitate for 30 to 120 seconds (dependent upon quality of flocculant). Let the mixture sit for 30 seconds. Return the agitator switch to the neutral position.  
*Note: Repeat process if adequate separation does not occur (dependent upon quality of flocculant).*
- 6) Open the ball valve to allow the mixture to drain through the filter bags. The filter bags capture the paint debris, and the bucket captures the filtered cleaning solution / water mixture that can be reused for cleaning.

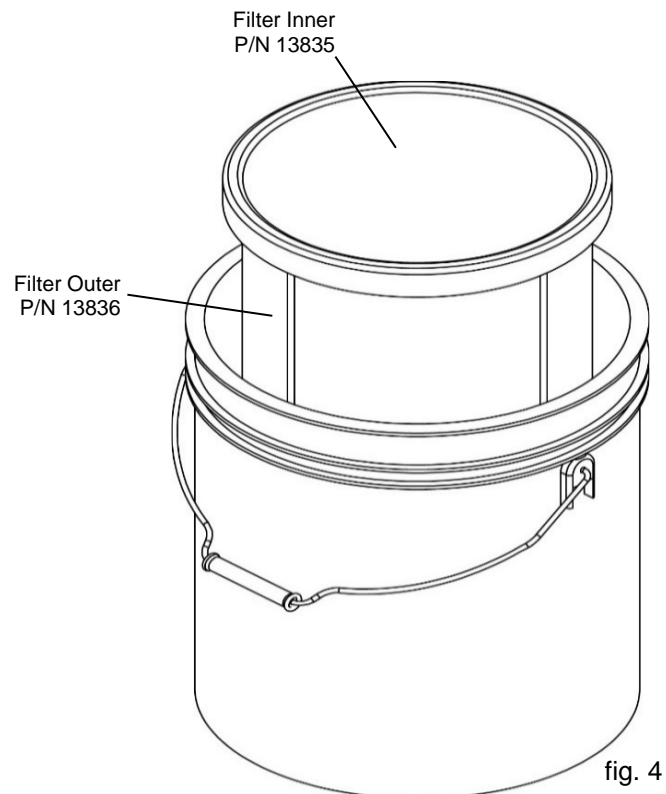


fig. 4

# Preventive Maintenance

To keep your machine working efficiently, please follow these directions.

- 1) ALWAYS drain excess paint from cup or pot before placing in gun washer.
- 2) Replace Filter/Regulator yearly. (#11345)
- 3) Change water completely when objects being cleaned become tacky to the touch.
- 4) Clean inside of tub and intake filter before filling with cleaning solution.

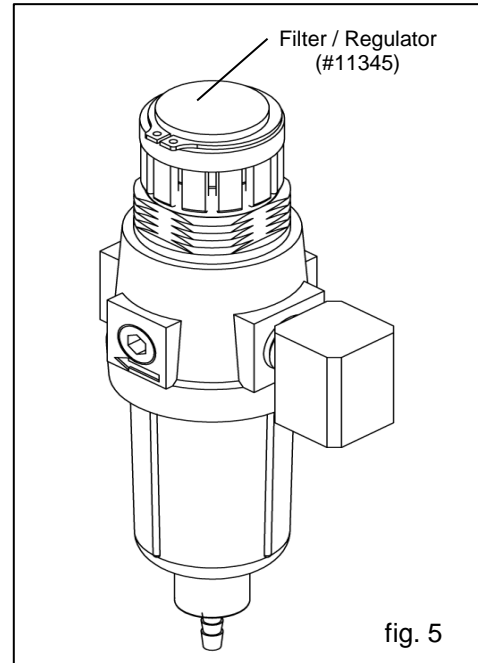


fig. 5

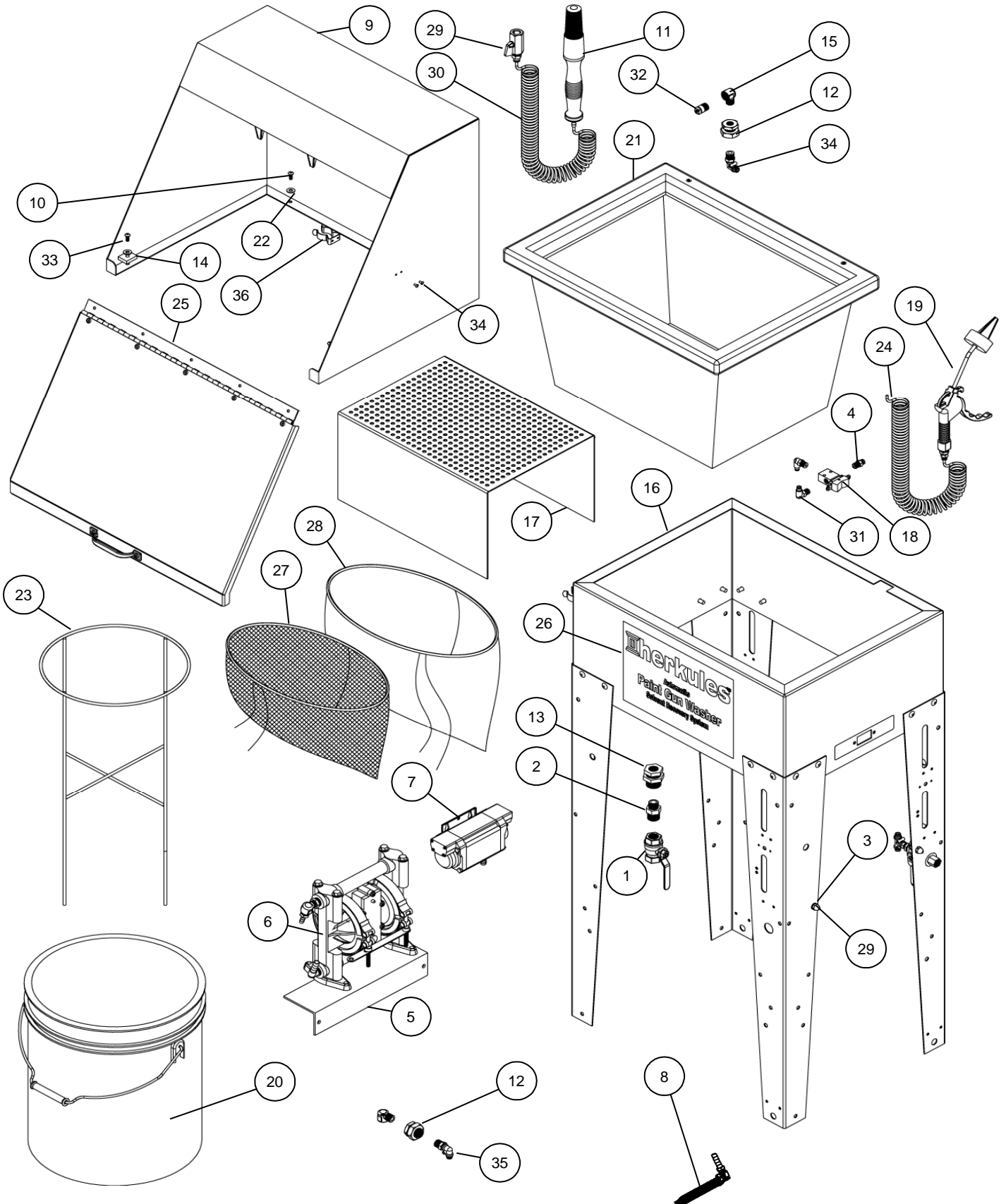
## CAUTION

Do not change the setting of the filter/regulator. This could damage the filter/regulator or pump.

# Troubleshooting

Problem	Possible Solution
Pump turns on but wash water does not flow.	<ol style="list-style-type: none"> <li>1 Make sure wash bucket is not empty.</li> <li>2 Make sure the filter at the end of the pick up tube is completely submerged in water.</li> <li>3 Check all fluid connections to ensure that there are no leaks.</li> </ol>
Pump does not turn on.	<ol style="list-style-type: none"> <li>1 Make sure intake filter is not clogged (Clean or replace).</li> <li>2 Make sure the air line is properly connected with at least 75 psi. Air pressure is regulated at 75 psi.</li> <li>3 Check all air connections to ensure that there are no leaks.</li> </ol>
No flow through the manual brush.	<ol style="list-style-type: none"> <li>1 Make sure wash bucket is not empty.</li> <li>2 Make sure the filter at the end of the pick up tube is completely submerged in water.</li> <li>3 Check all fluid connections to ensure that there are no leaks.</li> <li>4 Make sure valve handle is not closed all the way.</li> </ol>

# G550 Parts Layout

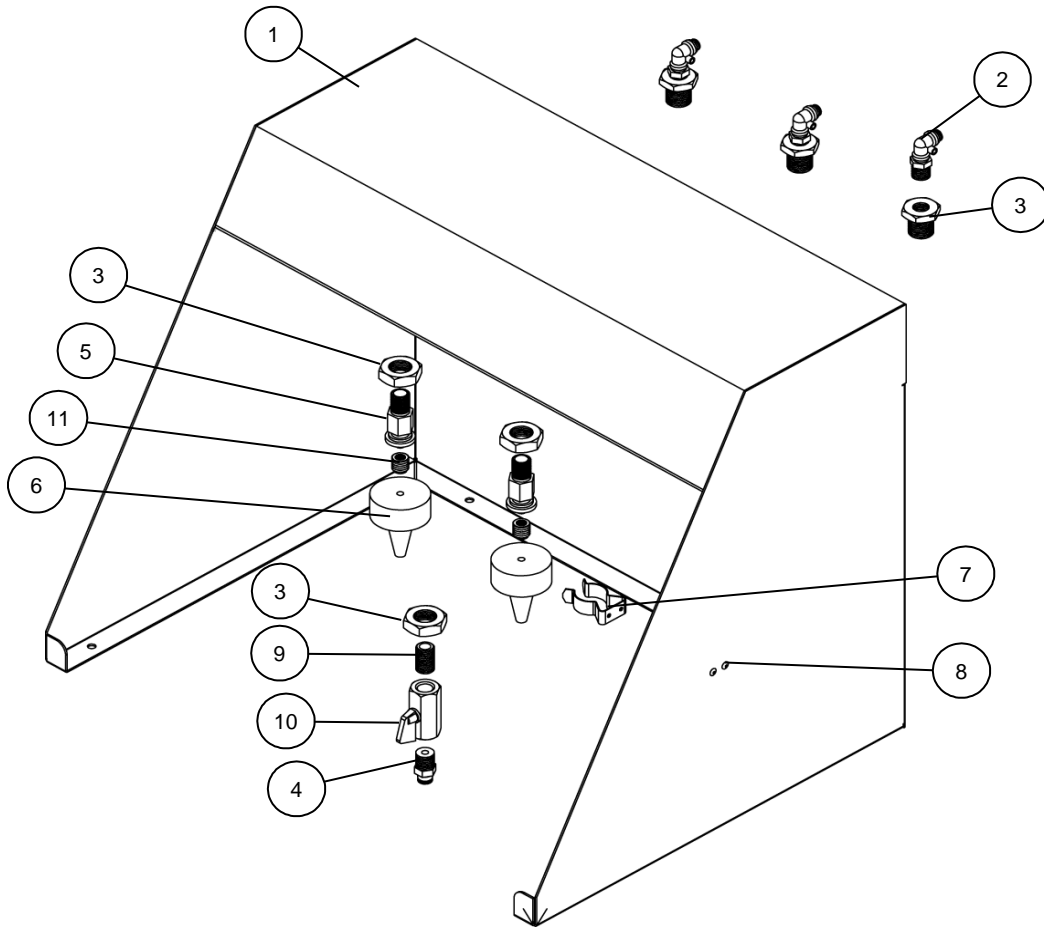


# G550 Parts Layout

	Part #	Description	Quantity	
1	6	Ball Valve	1	EA
2	62	Reducer 1/2 NPT X 3/8 NPT	1	EA
3	85	Lock Washer 1/4	4	EA
4	T4	Hose Fitting 5/32 X 1/8 NPT	1	EA
5	1007865	Pump Bracket	1	EA
6	13124	Pump Assembly - Water	1	EA
7	13436	Rinse Pump Assembly	1	EA
8	13053	Filter Assembly	1	EA
9	13107	Shroud assembly	1	EA
10	1003889	Screw HWH 10-24 x 1/2 SS	2	EA
11	1000563	Brush	1	EA
12	1002643	Bulkhead 3/4 - Brass	2	EA
13	1002644	Bulkhead 1 - Brass	1	EA
14	1008170	Deflector Block	2	EA
15	1002779	Elbow 1/4 NPT	1	EA
16	14566	Stand Assy 20 x 15 x 39 W/ 2 Pedals	1	EA
17	13901	Cleaning Platform	1	EA
18	1002912	Toggle valve	1	EA
19	13800	Air Gun	1	EA
20	1002914	Bucket	1	EA
21	19278	Tub	1	EA
22	1002656	Washer Nylon #10	4	EA
23	1002967	Filter mount frame	1	EA
24	1002968	Tube Coiled 5/32	1	EA
25	13755	Lid Assembly	1	EA
26	1003048	Front Decal	1	EA
27	13835	Filter - inner	1	EA
28	13836	Filter - outer	1	EA
29	008-244	Acorn nut 1/4-20	2	EA
30	1003459	Tube Coiled 1/4	1	EA
31	002-129	Hose Fitting 90° 5/32 x 1/8 NPT	2	EA
32	002-134	Nozzle 1/4 NPT Brass	1	EA
33	002-175S	Screw 10-24 x 3/4 SS	2	EA
34	T25	Hose Fitting 90° 5/32 x 1/4 NPT	1	EA
35	002-118	Hose Fitting PTC 90° SVL 1/4 x 1/4 NPT	1	EA
36	1002953	Spring Clip 7/8 X 1-1/8 SS	1	EA

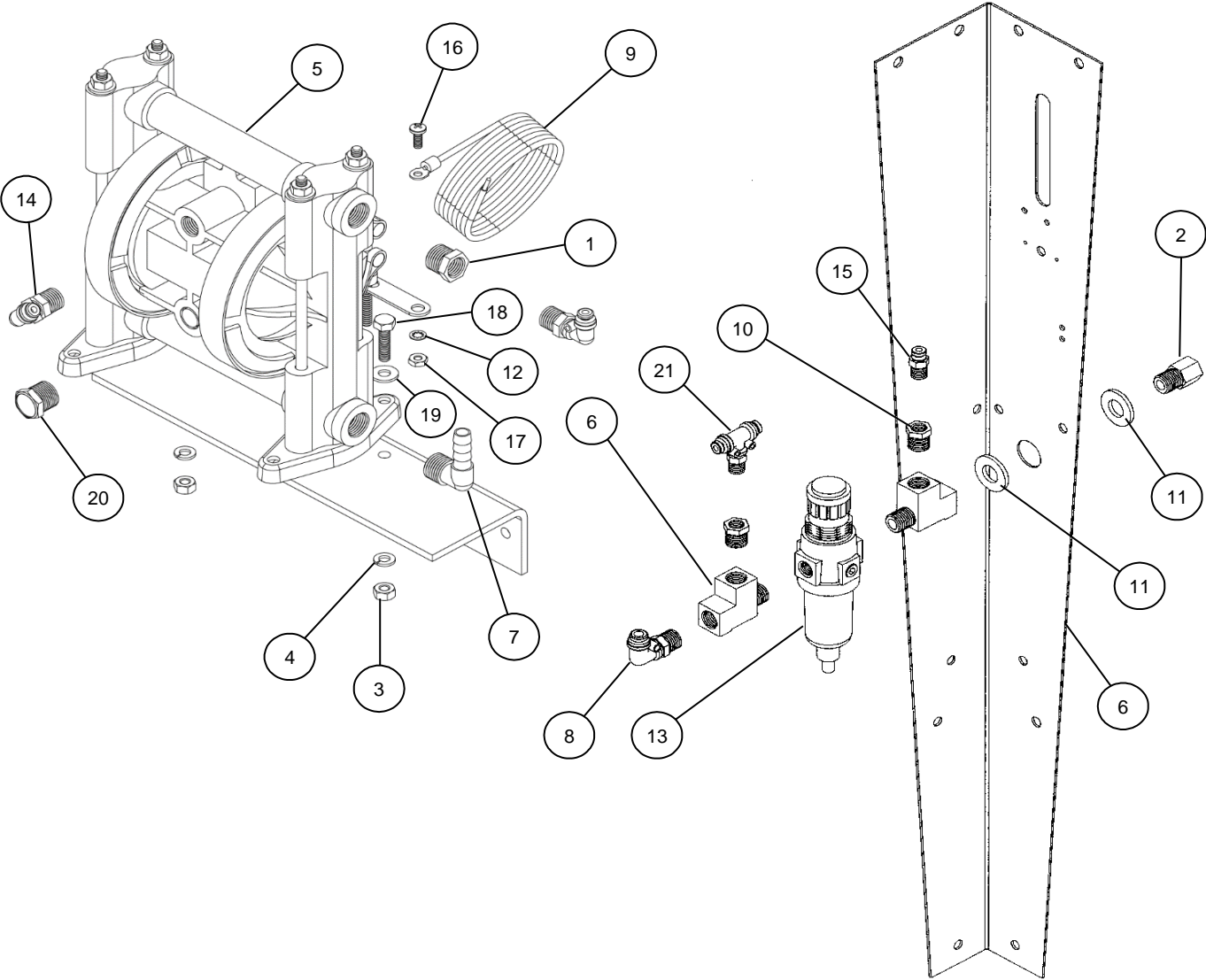
**Note:** Parts are shown for reference purposes only and are not necessarily part of a Herkules assembly.

# G550 Stand



	<b>Part #</b>	<b>Description</b>	<b>Quantity</b>	
1	1003591	Aluminum Shroud	1	EA
2	T25	Fitting 5/32 T x 1/4 NPT	3	EA
3	1002643	Bulkhead 3/4 - Brass	3	EA
4	002-117	Fitting 1/4 T x 1/4 NPT	1	EA
5	1003502	Push Valve 1/4 NPT x 5/16-24 Brass	2	EA
6	1004269	Nozzle - Rubber	2	EA
7	1002953	Spring Clip - SS	1	EA
8	1003597	Rivet 1/4 x 1/2 Aluminum Blind	2	EA
9	T12	Nipple 1/4 Brass	1	EA
10	1004559	Ball Valve	1	EA
11	1004790	Threaded Insert 5/16-24 x 1/2-13 SS	2	EA

# G550 Pump and Legs Layout



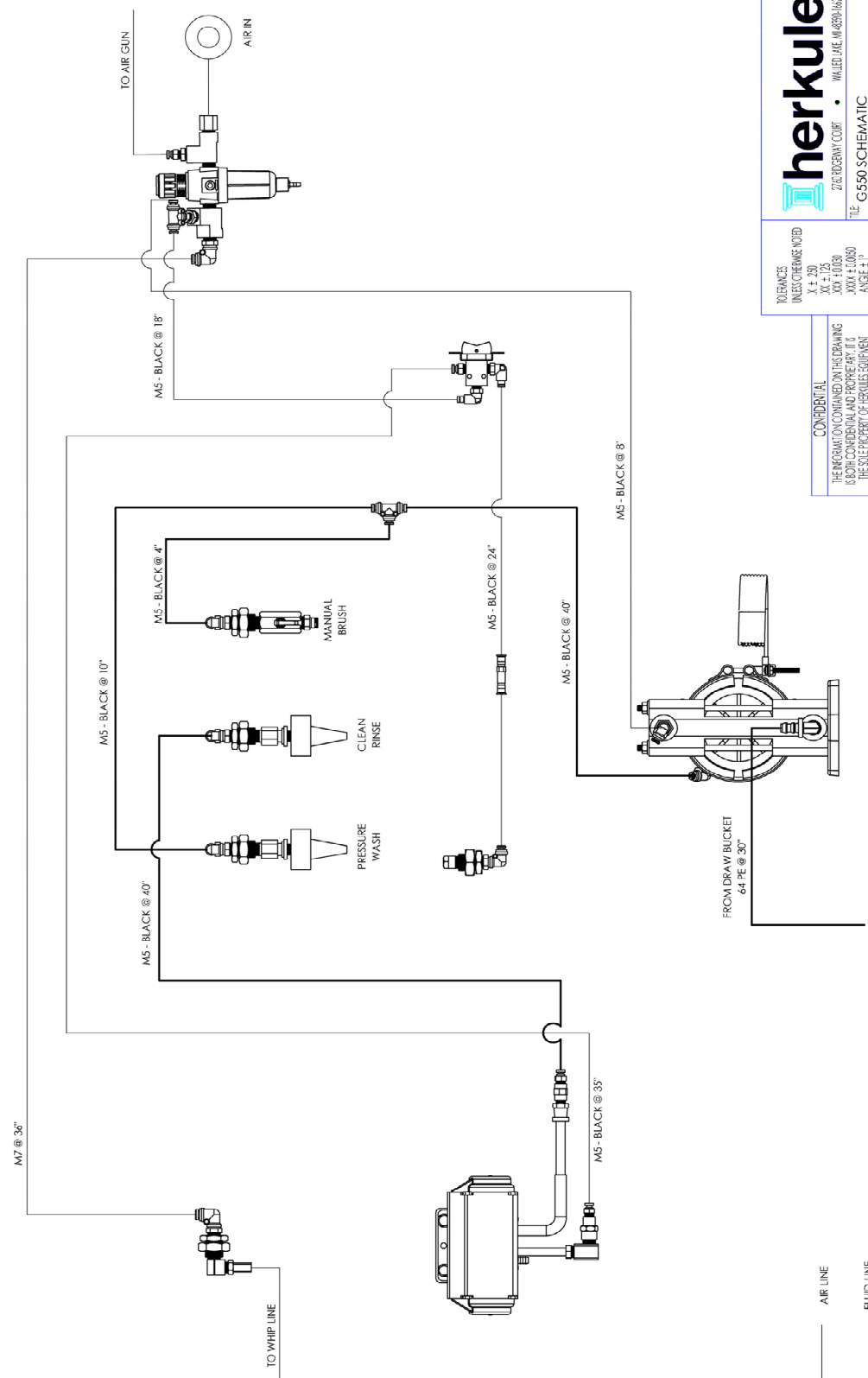
# G550 Pump and Leg Layout

	Part #	Description	Quantity
1	66	Reducer 3/8 NPT X 1/4 NPT Brass	1 EA
2	67	Adaptor 1/4 NPT Brass	1 EA
3	84	Hex Nut 1/4-20 Zinc	2 EA
4	85	Lock Washer 1/4 Zinc	2 EA
5	338	Pump	1 EA
6	C12CX	Tee Street 1/4 NPT Brass	2 EA
7	1006470	Hose Barb 90° 3/8 X 3/8 NPT Brass	1 EA
8	002-118	Hose Fitting 90° 1/4T x 1/4 NPT	1 EA
9	002-120A-72	Ground Wire	1 EA
10	005-134	Reducer 1/4 NPTx1/8 NPT Brass	2 EA
11	85I	Washer Flat 1/2 USS Z	2 EA
12	24E	Washer Lock Internal Tooth #10 Z	1 EA
13	11345	Filter / Regulator	1 EA
14	T25	Hose Fitting 90° 5/32Tx1/4 NPT	2 EA
15	T4	Hose Fitting 5/32 X 1/8 NPT	1 EA
16	005-131	Screw 10-24 x 1/2 - Stainless	1 EA
17	005-132	Nut Hex 10-24 - Stainless	1 EA
18	83	Bolt Hex 1/4-20 x 1 - Zinc	2 EA
19	001-705	Washer Flat 1/4 USS - Zinc	2 EA
20	1001441	Muffler	1 EA
21	1000818	Tee Street PTC 5/32 x 1/8 NPT	1 EA

**Note:** Parts are shown for reference purposes only and are not necessarily part of a Herkules assembly.

REV. REVISIONS			
REV.	DESCRIPTION	DATE	APPROVED
A	UPDATED PER ECO162	12/22/11	SW
B	UPDATED PER ECO177	7/21/14	SW

Part #: G-500



**hercules™**  
276 TORBAY COURT • WALED JAE, W-650-162

TOLERANCES UNLESS OTHERWISE NOTED  
X ± .25  
XX ± .125  
XXX ± .030  
XXX ± .030  
ANGLE ± 1°

Part #: SW 9/22/2011  
Part #: G-500  
Title: G-500 SCHEMATIC  
Drawing #: DIG-C-G550  
Rev: B  
Sheet: 1 OF 1

**CONFIDENTIAL**

THE INFORMATION CONTAINED ON THIS DRAWING IS SOLELY CONFIDENTIAL AND PROPRIETARY TO HERCULES EQUIPMENT CORPORATION. ANY REPRODUCTION, PARTIAL OR COMPLETE, WITHOUT THE WRITTEN PERMISSION OF HERCULES EQUIPMENT CORPORATION IS PROHIBITED AND MAY BE PENALIZED.

— AIR LINE  
— FLUID LINE