



Please read and understand all safety advisories and operating instruction in this manual to ensure safe and productive operation of your new Topside Creeper.

If you have any questions please contact us at:

phone: 479-474-3460

email: service@traxionproducts.com

VIDEO INSTRUCTIONS ARE AVAILABLE ON
OUR WEBSITE AT:

www.traxionproducts.com

Safety First

WARNING: Failure to follow these safety requirements could result in personal injury.

This product is a tool to reach what are normally hard to reach places, such as the topside of an engine compartment for mechanics.

Always inspect the product for damage before each use. Do not use if damage is detected. Make sure all nuts and bolts are secure before each use.

Always engage the caster locks before using the Topside Creeper.

Always make sure the angle adjustment bar is secure in one of the three position slots before using.

Always face the Topside Creeper when climbing up or down. Use both hands and keep your body centered between the rails.

DO NOT USE THE PRODUCT if you tire easily or are subject to fainting spells or disorientation.

DO NOT USE THE PRODUCT if you are taking medication that could impair judgement.

DO NOT USE THE PRODUCT if you are under the influence of drugs or alcohol.

DO NOT USE THE PRODUCT if you are physically challenged.

DO NOT sit or stand on the chest pad.

DO NOT overload the product. The maximum capacity is 400 lbs (180 kg) which includes body weight, tools and torque applied to tools.

DO NOT use the Topside Creeper over a running engine.

Parts List

A1 - Front Caster x 2



A2 - Locking caster x 2



B - 12mm Flange Nut x 4



C - 12mm Lock Nut x 4



D - 8mm Lock Nut x 8



E - 6mm Lock Nut x 6



F - 2.5" x 12mm
Bolt x 4



G1 - 3" x 8mm
Bolt x 2



G2 - 9/16" x 8mm Bolt
x 6



G3 - 1/2" x 6mm Bolt x 4



H - 5/8" x 6mm Phillips
Screw x 4



I - PIN x 2



J - Square Tube



M1 - Right Leg



M2 - Left Leg



K - Base



O - Step Section



N
Angle Adjustment
Keeper X 2



L - Chest Pad Frame



P - Chest Pad



S - Pouch Bracket



R - Pouch



U - Bumper Pad x 3



Q - Washer x 2



Tools Needed

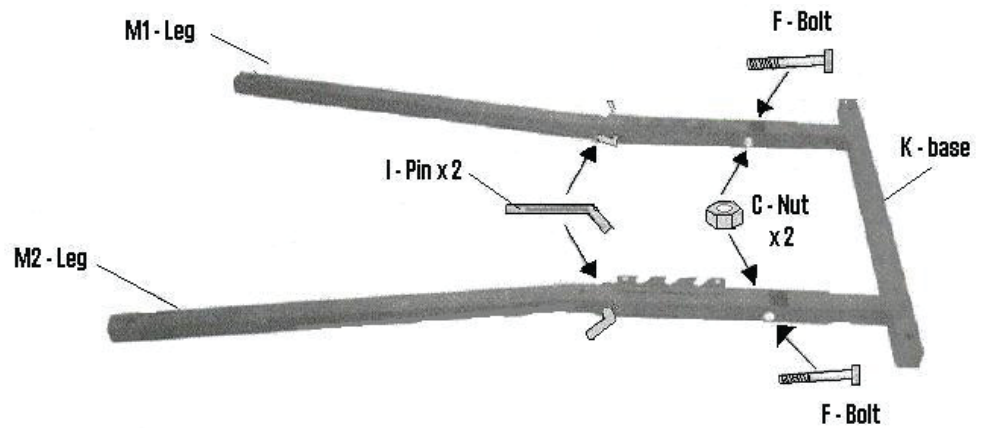
12mm wrench
8mm socket
6mm wrench
philips screwdriver

Assemble Base

Assemble legs (M1 and M2) to Base (N) using bolts (F), Nuts (C) and Pins (I) as shown. Do not overtighten.

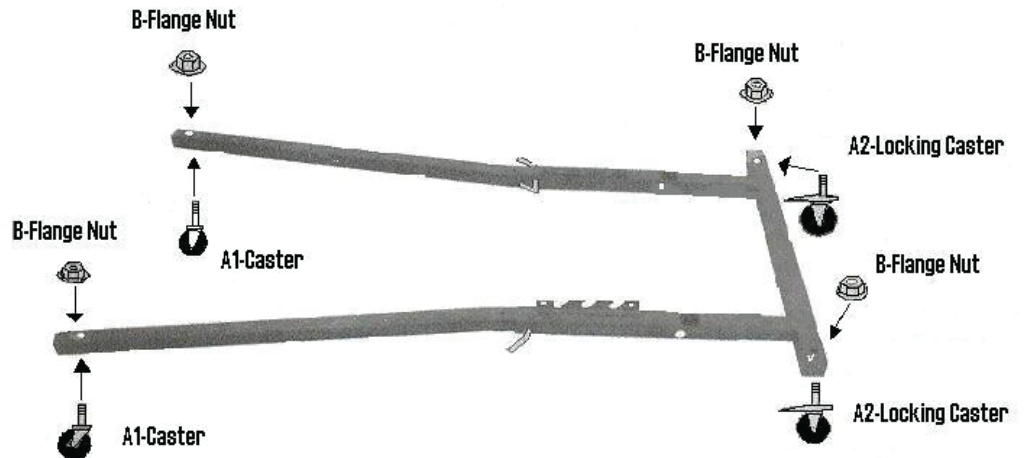
NOTE

The two legs must be angled outward with angle adjustment notches on the inside.



Attach Casters

With angle adjustment notches upward, secure two Locking Casters (A2) to closed end of the base (N) using Flange Nut (B). Secure two non-locking casters (A1) to the outward protruding legs using Flange Nuts (B) as shown.

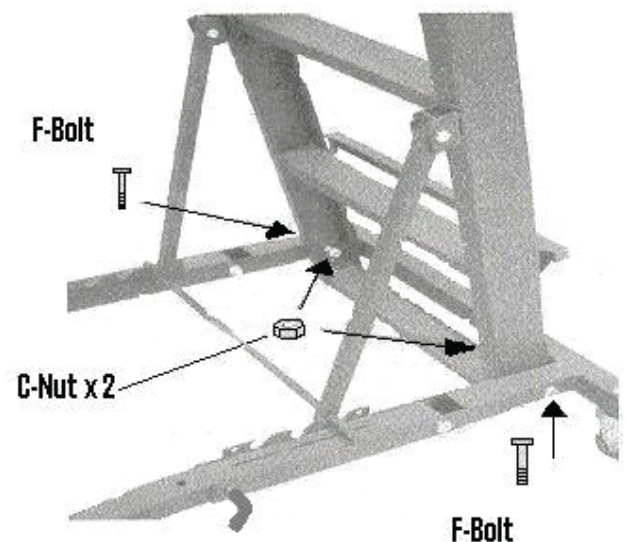


Attach Climbing Section

Position step section (O) as shown. Secure step section to base using two Bolts (F) and two Locknuts (C).

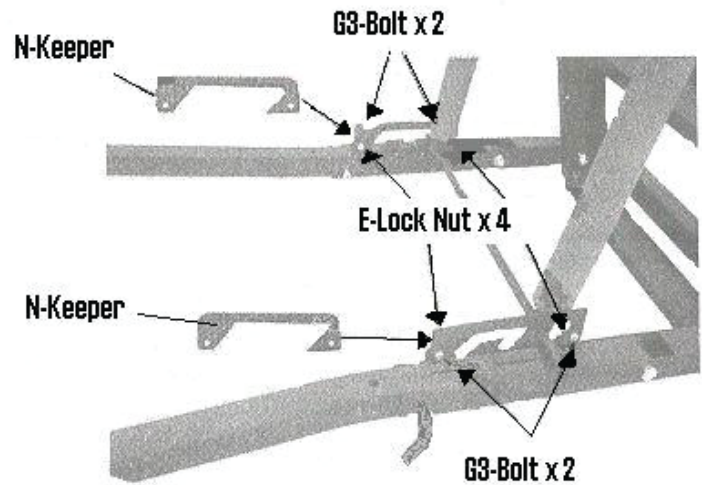
IMPORTANT

Inside step section must be secured before proceeding. Insert both spring loaded pins into corresponding hole in outside rail of Climbing Section (M). Slide inside step section frame until both spring loaded adjustment pins fully engaged through oblong adjustment holes of inside rails.



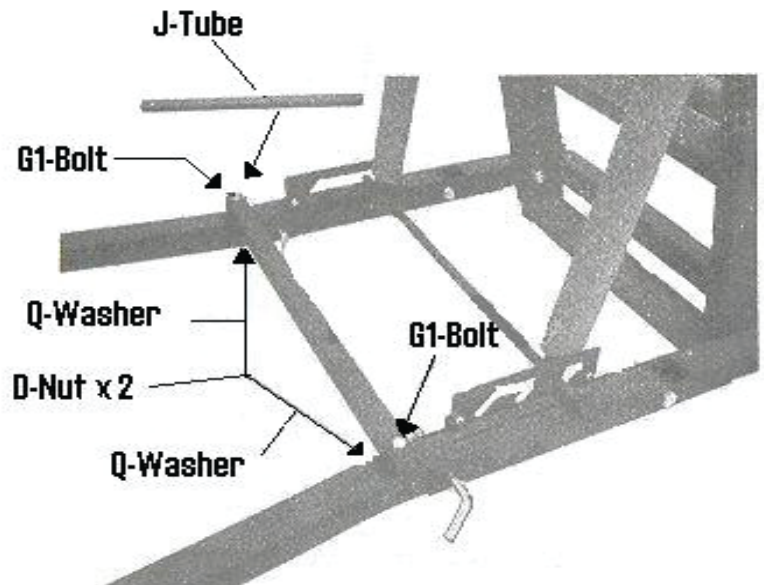
Attach Angle Adjust Keepers

Place angle adjustment bar into one of the three adjustment slots located on the base. Secure Angle Adjustment Keepers (N) to base using Bolts (G3) and Lock Nuts (E).



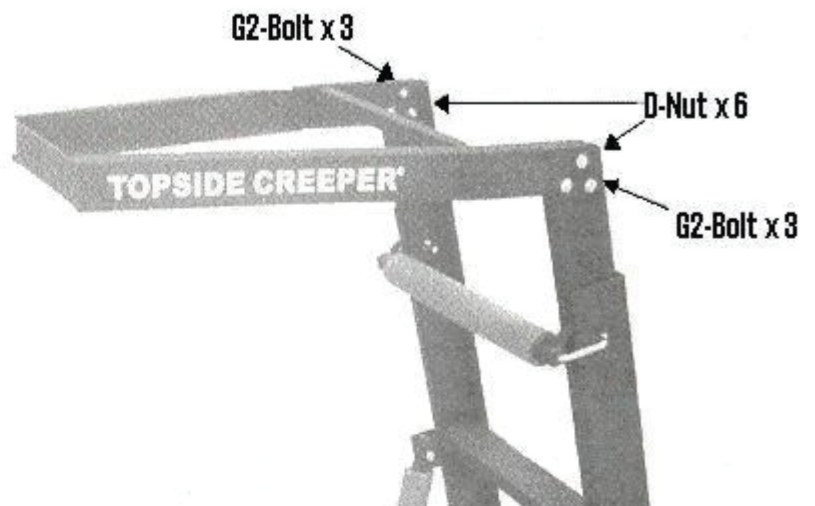
Attach Base Cross Bar

Using two Bolts (G1), two Nuts (D) and Washers (Q), attach Square Tube Cross Bar Support (J) to base as shown.



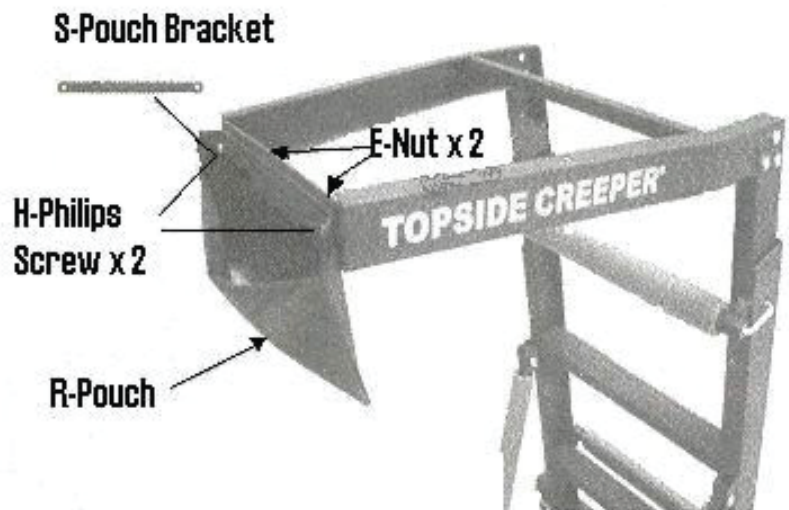
Attach Padded Deck Frame

Using Bolts (G2) and Nuts (D) secure chest frame to climbing section as shown.



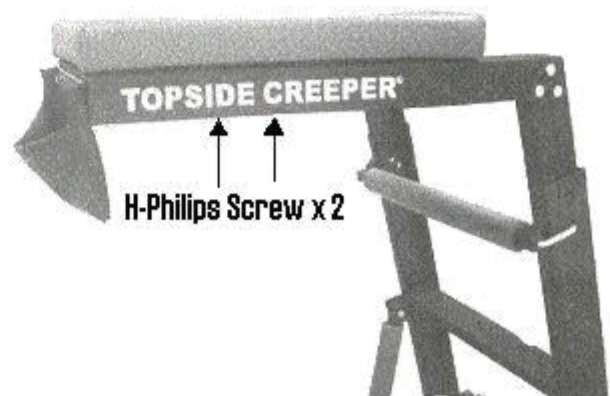
Attach Tool Pouch

Insert Philips Head Screws (H) through Bracket (S), Pouch (R) and Padded Deck Frame as shown. Secure to frame using Lock Nuts (E).



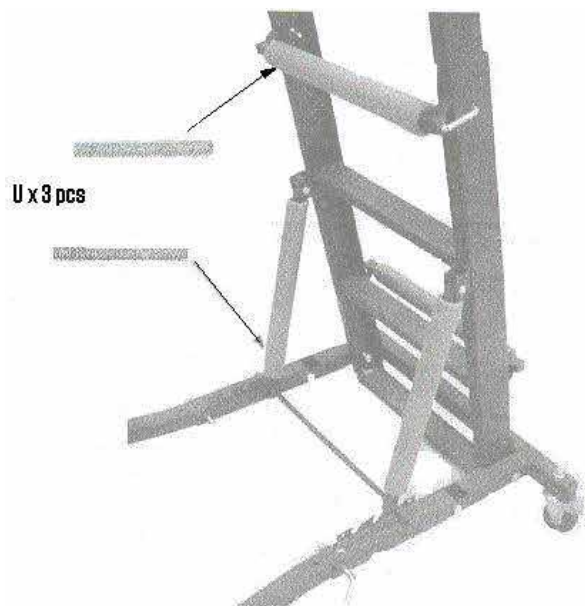
Attach Padded Deck

Using two Philips Head Screws (H) secure the padded deck to the frame. Insert screws through holes in the bottom of the frame and into the threaded inserts in the bottom of the pad.



Attach Bumper Pads

Slide the three Bumper Pads (U) onto the angle support bars and the crossbar with the spring-loaded pins.



Operating Instructions

Using the adjustable angle lean-in feature

There are three different lean-in angles that allow the user to adjust positioning. This helps the user to maximize safety and productivity. To adjust angle lean-in:

1. Lock casters (A2) by pressing the lock tab with your foot on each of the locking casters. 2. Push back on the climbing section (O).
3. Move angle adjustment to one of the three notches located on the base.

Changing Working Height

The working height of the Topside Creeper can be adjusted to fit the needs of each individual task from 44" (110cm) to 68" (172cm) in height. To change the working height:

1. Lock casters (A2) by pressing the lock tab with your foot on each of the locking casters.
2. Grasp a step within the sliding section with one hand while using the other hand to pull one of the spring loaded locking pins outward. Rotate the pin so it does not slide back into the locking slot.
3. Repeat step 2 on the other side of the sliding section to remove the second spring loaded locking pin. **IMPORTANT:** one hand **MUST** have a firm hold of a step within the sliding section when the second spring loaded locking pin is removed from the locked position. This prevents the sliding section from free falling which could cause serious personal injury.
4. Slide the inside step section up or down to desired height while maintaining a firm grip.
5. While holding a step within the sliding section with one hand guide one of the spring loaded locking pins into its corresponding hole in the outside rail.

Folding Up The Topside Creeper folds up for easy and compact storage.



Lock Casters by pressing downward on the locking tab with your foot.



Remove two locking pins from the assembled base section.



Push the Angle Adjustment Bar forward to the first setting of the notched Angle Adjustment Keeper.



Grasp each of the two legs (M1 and M2) and raise to the climbing section.

Replace pins back into their holes for safekeeping.

Done. Now use your Topside Creeper safely for maximum productivity.



Thank you for purchasing the Topside Creeper from TraXion Engineered Products. If you need anything please call us at 800-474-3460 or email service@traxionproducts.com.

There is more information, including assembly videos on our website at:

www.traxionproducts.com