

11

VISES & CLAMPS

PROFESSIONAL MECHANIC'S VISES

Tornillos de banco para taller profesionales
Étaux pour ateliers professionnels

With high quality construction for extra durability and full-strength performance at any jaw opening, these vises are made for the professional - strong, durable, and built to last. "V" notched, replaceable/reversible jaws made of carbon steel and heat-treated for extra strength, diamond cut on one side - smooth on the other

Model No.	Item No.	Jaw Width	Jaw Opening	Throat Depth	Pipe Jaw Capacity	Weight	Replacement Jaw Set No.
K55	64055	5-1/2" (14 cm)	7-1/2" (19.1 cm)	3-1/4" (8.3 cm)	1/8" - 2-1/2" (.3 - 6.4 cm)	27 lbs (12.3 kg)	15505
A K65*	64065	6-1/2" (16.5 cm)	9" (22.9 cm)	3-7/8" (9.8 cm)	1/8" - 3-1/2" (.3 - 8.9 cm)	38 lbs (17.3 kg)	16505



**KEN-TOOL VISES
HAVE A LIFETIME
WARRANTY ON
THE CASTING.**

*3 lb. Sledge included with K65!



JAW FACES HAVE "V" NOTCHES FOR VERTICAL GRIPPING



BUILT-IN PIPE JAWS



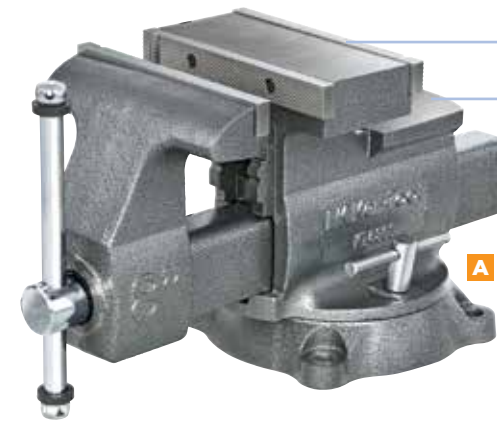
GEAR-TYPE LOCKING SYSTEM WITH DOUBLE LOCK-DOWN BOLTS - LOCKS VISE SECURELY IN POSITION



360° SWIVEL BASE, MACHINED FOR SMOOTH SWIVEL



HEAVY-DUTY JAW BEAM COVERS SCREW, BUILT-IN ANVILS



2 BUILT-IN ANVILS PROVIDE MORE WORK SURFACE AREA THAN ANY OTHER VISE

PROFESSIONAL REVERSIBLE MECHANIC'S VISES

Tornillos de banco reversibles para mecánicos profesionales
Étaux professionnels réversibles de mécanicien

With our Reversible Vises you get all of the high quality features and rugged durability of the Pro Workshop Vises, and more! Significantly increase your gripping capacity when you reverse the position of the front jaw. **Ken-Tool Vises have a lifetime warranty on the casting.**

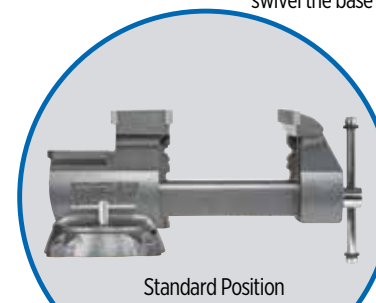
Model No.	Item No.	Jaw Width	Jaw Opening	Throat Depth	Pipe Jaw Capacity	Weight	Replacement Jaw Set No.
KT4650	64650	6-1/2"	9" - 12" (16.5 cm)	4" (22.9 - 30.5 cm)	1/8" - 4" (10.1 cm)	52 lbs (.3 - 10.1 cm)	14655 (23.6 kg)
A KT4800	64800	8"	11 - 14" (20.3 cm)	4-7/8" (28 - 35.6 cm)	1/8" - 4-1/4" (12.4 cm)	74 lbs (.3 - 10.8 cm)	14805 (33.6 kg)



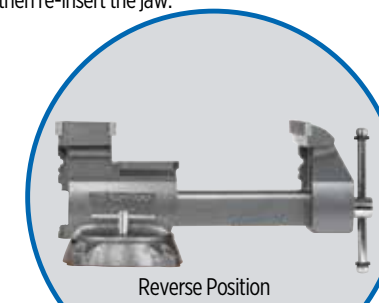
FREE 3 lb. Sledge included with K4650 & KT4800!

Professional Reversible Mechanic's Vises feature:

It's simple...Remove the jaw from the front of the base, swivel the base 180°, then re-insert the jaw:



Standard Position



Reverse Position



PROFESSIONAL C-CLAMPS

Abrazaderas en C profesionales
Serre-joints en C professionnels

This c-clamp is for the professional. Designed for strength and toughness, with sliding pin handle and acme-thread screw. Imported.

Model No.	Item No.	Jaw Opening	Depth	Screw Diameter	Weight
KT-4	39604	4" (10 cm)	2-1/16" (5 cm)	5/8" (1.5 cm)	1.8 lbs (.8 kg)
KT-6	39606	6" (15 cm)	2-3/4" (7 cm)	5/8" (1.5 cm)	2.5 lbs (1.1 kg)
KT-8	39608	8" (20 cm)	3-1/4" (8 cm)	3/4" (2 cm)	3.5 lbs (1.6 kg)

