



# OWNER'S MANUAL / REPAIR PARTS

## Professional Workshop Vises

**K55 (64055)**

**K65 (64065)**

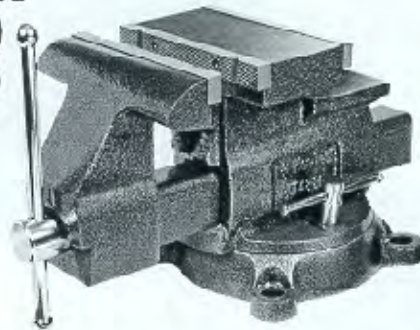


## Professional Reversible

**Mechanic's Vises**

**KT4650 (64650)**

**KT4800 (64800)**



- Cast iron jaw with heavy internal ribs for added strength. Pipe jaws are permanently cast in for greater channel strength.
- Cast iron back jaw designed for exceptional alignment with the front jaw.
- "V" notched, replaceable/reversible jaws made of carbon steel and heat-treated for extra strength, diamond cut on one side - smooth on the other.
- Specially designed spring loaded handle and screw guarantees quick jaw response.
- Front jaw beam covers and protects screw.
- Steel handle balls forged from handle stock.
- Large ground and polished anvils.
- Precision engineered nut and back jaw assures positive alignment.
- Cast iron base with four mounting holes for greater stability.
- 360° positive locking swivel base with double locking gear.
- New paint process increases resistance to misuse and harsh environments.

Model	EDP No.	Jaw Width	Jaw Opening	Throat Depth	Pipe Capacity	Weight
K55	64055	5-1/2" 14 cm	6-1/2" 17 cm	3-3/16" 8 cm	1/8" - 2" .3 - 5 cm	30 lbs 14 kg
K65	64065	6-1/2" 17 cm	7-1/2" 19 cm	3-3/4" 10 cm	1/8" - 2-1/2" .3 - 6 cm	41 lbs 19 kg
KT4650	64650	6-1/2" 17 cm	7" - 10" 18 - 25 cm	3-3/16" 8 cm	1/8" - 2-1/2" .3 - 6 cm	50 lbs 23 kg
KT4800	64800	8" 20 cm	8" - 11" 20 - 28 cm	3-3/4" 10 cm	1/8" - 3" .3 - 8 cm	74 lbs 34 kg

Made in China

## Warranty Information

We believe all Ken-Tool customers should be satisfied with the performance, quality, and workmanship of whatever product they buy. All Ken-Tool products are warranted against defects in materials and workmanship. Any Ken-Tool branded product which fails to perform its intended function, due to a defect in workmanship or materials will, at our option, be replaced or repaired free of charge. **Warranty claims for items that have broken or are no longer useful due to normal wear, misuse, abuse, alteration, grinding, or heating, will not be honored.**

**Vises:** Vise #64055 (K55) and #64065 (K65) are warranted for a period of one (1) year with proof of purchase. In most cases, the broken or defective part will be replaced free of charge. **In no case will complete vises be warranted without prior authorization.** Professional Reversible Mechanic's Vise #64650 and #64800 have lifetime warranties on their back and front castings and on their base plates. Jaw faces, screws, main vise nuts, and other parts of the vise do wear out and are only warranted for one (1) year.

If your vise is still covered by this warranty, return your vise with proof of purchase (ie: receipt) to the store where you originally purchased the vise. Ken-Tool will issue credit, issue a new vise, or provide parts. If you have any questions regarding this warranty contact Ken-Tool at 330-535-7177.

## WARNING

- Misuse of vise can cause serious injury to eyes, hands, limbs, etc.
- To ensure safety, vise must be set up and used properly.
- Before setting up and using, read, understand, and follow all instructions as outlined below.

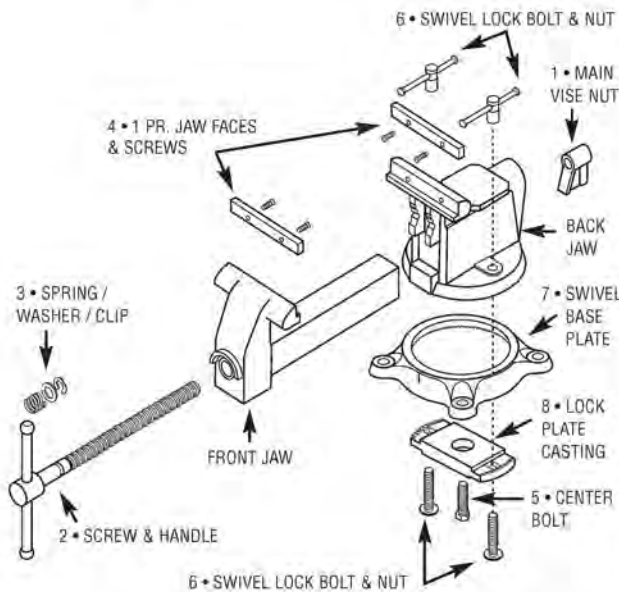
### When Setting up Vise

- Use proper size bolts, nuts, lock and flat washers in all base mounting holes. Never weld base of vise to any metal object.
- Only hand tighten swivel base lock down nuts at the sides of the vise.
- Never use a pipe extension to tighten lock nut handles. This can cause the handles to bend and overstress the lock down bolts.
- Make sure the bench top to which the vise is mounted is properly secured.

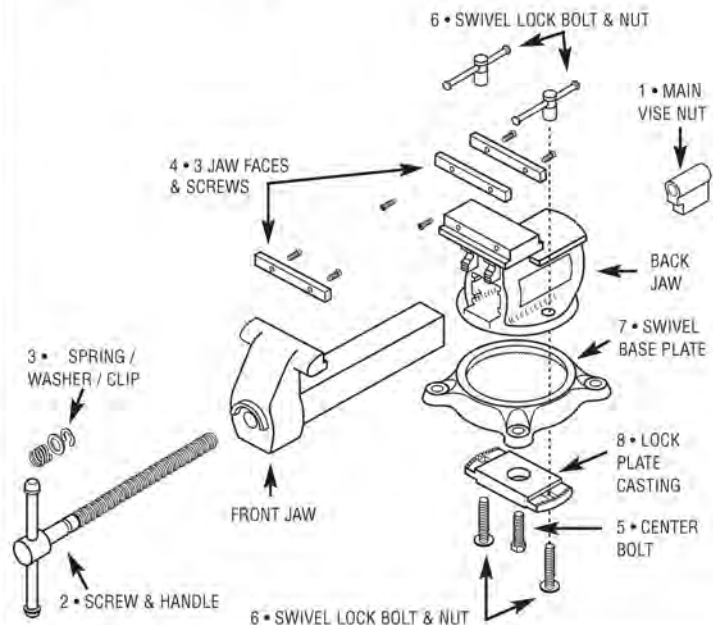
### When Using Vise

- Always use vise of proper size and capacity to hold work object.
- Never use a hammer, pipe extension, or cheater bar on spindle handle of vise.
- Never unscrew movable jaw beyond the maximum specified opening of the vise.
- Never use vise as press for assembly or disassembly of objects.
- Always wear eye and face protection when striking vise held objects or when using power tools with a vise.

## Replacement Parts for K55 (64055) & K65 (64065) Professional Workshop Vises



## Replacement Parts for KT4650 (64650) & KT4800 (64800) Professional Reversible Mechanic's Vises



PARTS LIST	MODEL:	ORIGINAL STYLE				UPGRADE <sup>®</sup> STYLE			
		K55	K65	KT4650	KT4800	K55	K65	KT4650	KT4800
	PART NO:	64055	64065	64650	64800	64055U	64065U	64650U	64800U
1 Main Vise Nut		15501	16501	14651	14651	15501U	16501U	14651U	14651U
2 Screw / Handle Assembly		15502	16502	14652	14802	15502U	16502U	14652U	14802U
3 Spring Washer, Clip		15503	14653	14653	14653	15503U	16503U	14653U	14803U
4 Jaw Faces, Screws		15505	16505	14655	14805	15505U	16505U	14655U	14805U
5 Center Bolt		15506	15506	14656	14656	15506U	15506U	14656U	14656U
6 Lock Bolt / Nut / Handle Assembly		15507	15507	14657	14657	15507U	15507U	15507U	15507U
7 Swivel Base Plate		15508	16508	14658	14808	15508U	16508U	14658U	14808U
8 Lock Plate Casting		15509	16509	14659	14809	15509U	16509U	14659U	14809U

**Ordering Vise Parts:**  
Everything you need to know to get the right part the first time.

All Ken-Tool vises are warranted against material and workmanship defects for a period of one (1) year with proof of purchase. In most cases, the broken or defective part will be replaced free of charge within the first year for the original purchaser.

All Ken-Tool vises have lifetime warranties against material and workmanship defects on their back and front castings, and on their base plates. Jaw faces, screws, main vise nuts and other parts of the vise do wear out and are only warranted for one (1) year. Please return the broken vise component(s) to place of purchase with receipt for replacement consideration.

**EVIDENCE OF ALTERATION, MIS-USE OR ABUSE, NULLIFIES ANY WARRANTY CONSIDERATION.**

### FAQ's:

**Q:** Do you have vise repair parts?

**A:** All Ken-Tool vise parts are replaceable.

**Q:** How can I be sure I have a Ken-Tool vise?

**A:** All Ken-Tool vises have the name Ken-Tool and our model number cast into the side of the vise.

**Q:** If I return this vise, can you repair it?

**A:** No. We do not repair vises. However, we will gladly ship repair parts to any warehouse, jobber, or end user.

**\*Q:** How do I tell if I have an **Original** or **Upgrade** vise?

**\*A:** 1. The jaw faces on an **Original** vise have "V" notches on each end whereas the jaw faces on an **Upgrade** vise have two "V" notches next to each other on one end only.

2. On the **Upgrade** vise, the "ball" ends on the #2 Screw / Handle Assembly cannot be removed and are flat on the ends.

To order replacement parts contact the Ken-Tool Customer Service Dept.  
8:00 a.m. to 4:30 a.m. EST at: 330-535-7177; Toll-Free at: 888-536-8665