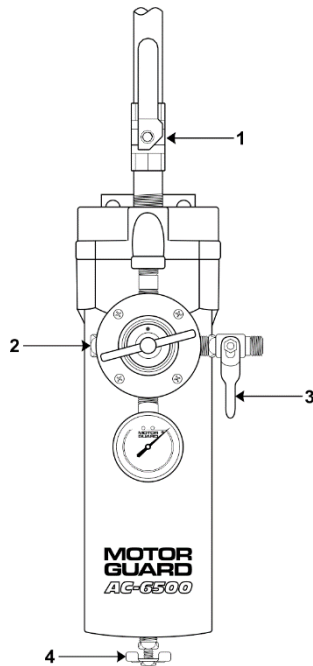


# MOTOR GUARD CORPORATION

## MODEL AC-6500 AIR CONTROL UNIT

### INSTALLATION

The Motor Guard AC-6500 Air Control Unit removes moisture and particulates from compressed air and provides a finely regulated supply for air for critical applications. Its compact design and large airflow capacity make it a highly effective and economical addition to any compressed air system.



#### FEATURES

- 5-Micron Filtration Rating
- Precision Diaphragm Regulator
- High-Visibility Pressure Gauge with Glass Lens
- High Capacity Bowl with Manual Drain
- Multi-Outlet Design for Versatile Application
- Integral Mounting Bracket

#### SPECIFICATIONS

Maximum Airflow:	Unregulated:	120 SCFM
	Regulated:	50 SCFM
Operating Temperature Range:		40 -150 °F
Maximum Inlet Pressure:		150 PSI
Air Inlet:		1/2 NPT (Female)
Air Outlet:	Regulated:	1/4 NPT (Male)
	Unregulated:	3/8 NPT (Female)

Before installing unit, relieve upstream pressure completely. Install unit in main air supply line with at least 20 feet of supply line between unit and compressor. Failure to maintain this distance will cause excessive water vapor to pass through unit. Unit is designed for installation in a 1/2" line; use appropriate fittings for installation in other line sizes. Apply pipe thread compound to male thread connections. Install unit level and in direction of airflow as noted. Unit should be mounted to a rigid structure. A shut-off valve (1, not supplied) should be installed in the supply line near the inlet to provide a positive pressure shut off for servicing of the unit.

**WARNING: This product is intended for use in industrial compressed air systems only. Do not install where pressures or temperatures can exceed those listed above.**

Assemble unit as shown, connecting regulator/gauge/shut-off valve assembly (2) to outlet port on front or side of unit. Remaining port may be plugged or used as a full pressure supply port. Apply thread sealing compound to fittings prior to assembly. Tighten fittings to a leak proof seal but to not over-tighten. Mount unit vertically with supply line connecting to port marked "Air In" on top of filter. Before pressurizing, be sure bowls are turned fully clockwise. Pressurize slowly to avoid high-pressure surge. Check for leaks.

### OPERATION

To operate regulator, rotate t-handle (2) clockwise to increase supply pressure and counter-clockwise to decrease supply pressure.

Rotate handle on outlet valve (3) to a position parallel to flow to open valve.

Drain bowl of accumulated liquid daily or at the start of each shift by turning the drain cock (4) on the bottom of the unit counterclockwise.

Inspect daily for leaks.

580 CARNEGIE STREET  
MANTECA, CA 95337

1-800-227-2822  
FAX 209-239-5114

[www.motorguard.com](http://www.motorguard.com)

## MAINTENANCE

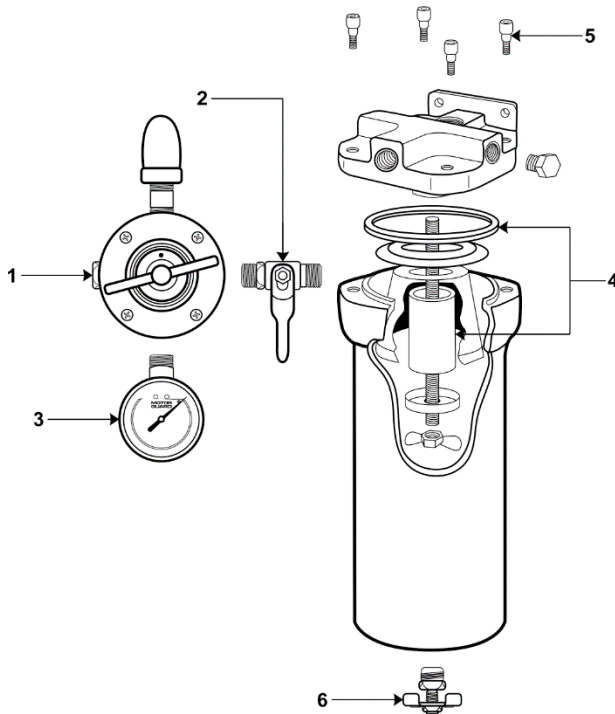
**WARNING: Shut off air supply and drain residual pressure before attempting to service any part of the system!**

Clean or replace filter element regularly to ensure efficient operation. To replace filter, remove four screws holding bowl assembly and remove bowl.

Remove filter element by turning wing nut counter clockwise. Wipe all parts clean, install new element and reinstall parts in reverse order. Wipe bowl clean, reinstall and tighten screws to a leak free seal but so not overtighten.

Do not operate unit if any visible damage or abnormal operation is observed.

Return unit to service and check for leaks.



### Replacement Parts

Key	Part No.	Ord. No.	Description	Qty.
1	RK-6501	74142	Regulator Assembly	1
2	RK-6502	74143	Shut-Off Valve	1
3	RK-6503	74144	Pressure Gauge	1
4	RK-6504	74145	Element & Gasket Kit	1
5	RK-6505	74146	Bowl Mounting Screw	4
6	RK-6506	74147	Drain Cock	1

## LIMITED WARRANTY

Motor Guard Corporation assumes the responsibility of providing equipment that is free from defects in workmanship and material. Should this product fail due to a defect in workmanship or material, Motor Guard Corporation will repair or, at its option, replace the product without charge, other than the transportation charges, provided that the product is returned to the factory, transportation prepaid, within one year of the date of purchase. Please contact Motor Guard Corporation for return authorization and shipping instructions.

This limited warranty does not cover damage to the product due to neglect, misuse or accident, nor does it cover any loss, damage or expense, either direct, indirect or consequential, arising from the non-function of this product. This limited warranty notice replaces any other warranty information, implied or otherwise, enclosed with this product or appearing in literature referring to this product.