



655 Eisenhower Drive  
 Owatonna, MN 55060 USA  
 Phone: (507) 455-7000  
 Tech. Serv.: (800) 533-6127  
 Fax: (800) 955-8329  
 Order Entry: (800) 533-6127  
 Fax: (800) 283-8665  
 International Sales: (507) 455-7290  
 Fax: (507) 455-7063

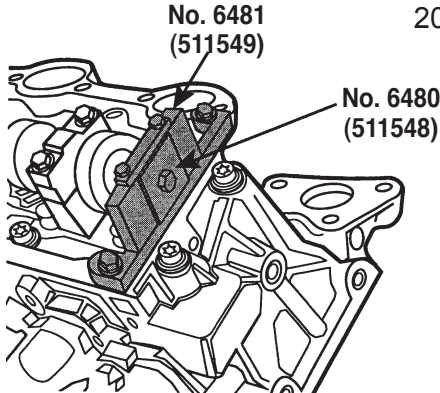
Form No. 107105

Operating Instructions  
 for:

6481  
 (511549)

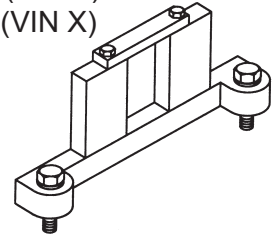
## Ford Camshaft Holding Tool

Application: 1997 – 2011 4.0L SOHC Explorer, Mountaineer, Ranger (VIN E)  
 1997 – 2008 4.0L SOHC Explorer, Mountaineer, Ranger (VIN X)  
 2005 – 2010 4.0L SOHC Mustang (VIN N)

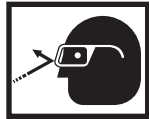


**NOTE:**

- Same as Ford No. 303-577 (T97T-6256-C).
- This tool is used with No. 6480 (511548) Ford Camshaft Holding Tool Adapter.



1. Install tool Nos. 6480 (511548) and 6481 (511549) on the camshaft as shown.
2. Secure tool No. 6481 (511549) to the cylinder head.
3. Service the timing chain as required according to instructions in the vehicle service manual.
4. Torque fasteners to factory specifications.



**WARNING: Wear eye protection that meets ANSI Z87.1 and OSHA standards.**

© Bosch Automotive Service Solutions LLC  
 July 25, 2014 Rev. C



655 Eisenhower Drive  
 Owatonna, MN 55060 USA  
 Phone: (507) 455-7000  
 Tech. Serv.: (800) 533-6127  
 Fax: (800) 955-8329  
 Order Entry: (800) 533-6127  
 Fax: (800) 283-8665  
 International Sales: (507) 455-7290  
 Fax: (507) 455-7063

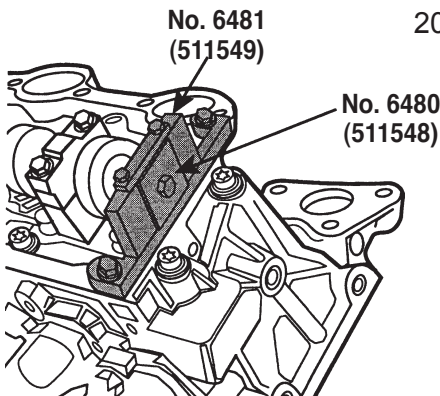
Form No. 107105

Operating Instructions  
 for:

6481  
 (511549)

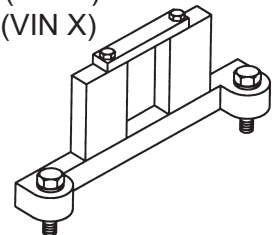
## Ford Camshaft Holding Tool

Application: 1997 – 2011 4.0L SOHC Explorer, Mountaineer, Ranger (VIN E)  
 1997 – 2008 4.0L SOHC Explorer, Mountaineer, Ranger (VIN X)  
 2005 – 2010 4.0L SOHC Mustang (VIN N)

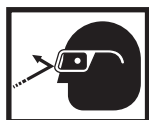


**NOTE:**

- Same as Ford No. 303-577 (T97T-6256-C).
- This tool is used with No. 6480 (511548) Ford Camshaft Holding Tool Adapter.



1. Install tool Nos. 6480 (511548) and 6481 (511549) on the camshaft as shown.
2. Secure tool No. 6481 (511549) to the cylinder head.
3. Service the timing chain as required according to instructions in the vehicle service manual.
4. Torque fasteners to factory specifications.



**WARNING: Wear eye protection that meets ANSI Z87.1 and OSHA standards.**

© Bosch Automotive Service Solutions LLC  
 July 25, 2014 Rev. C