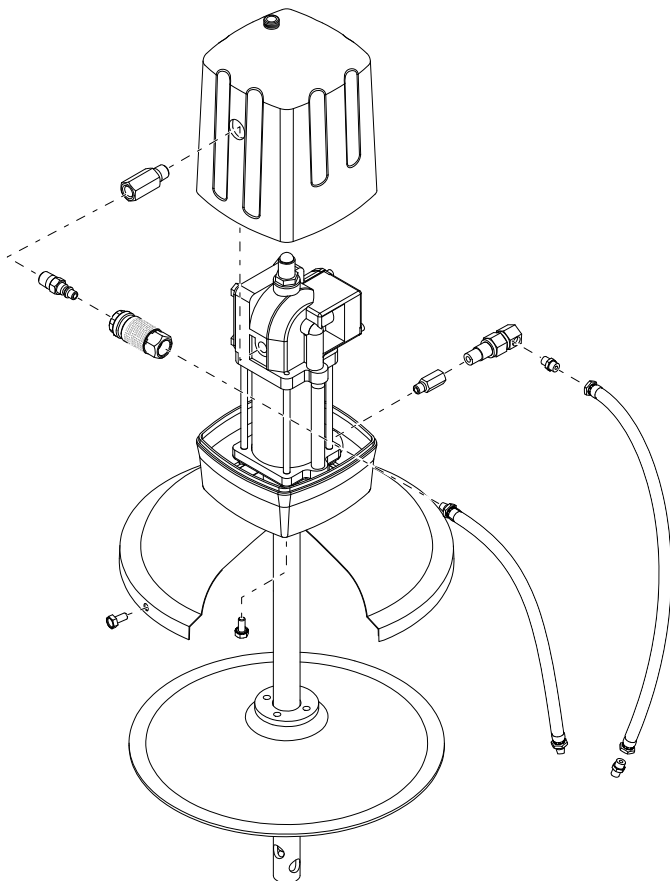


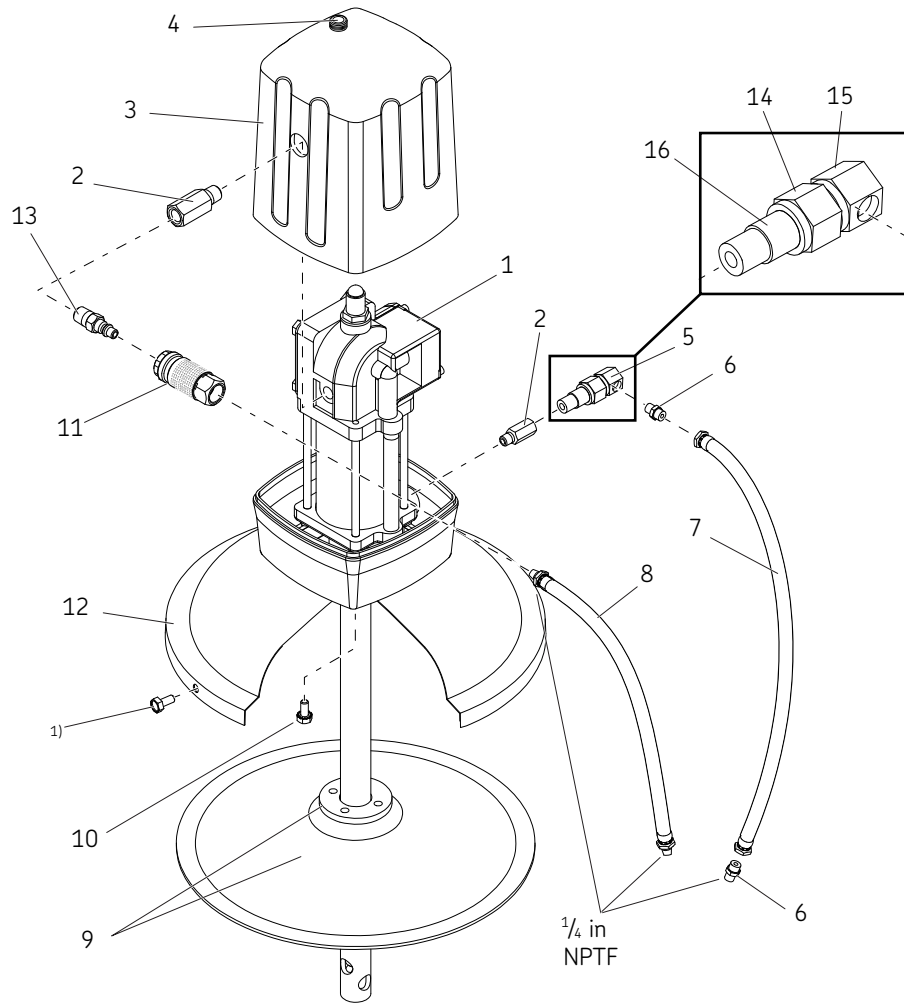
Drum pump, grease

Model 918, 120 lb. drum, 50:1 ratio



Date of issue	March 2018
Form number	403460
Version	2

Fig. 1



Refer to separate instructions

Air coupler Form 4532B
82050 basic pump Form 403510

- 1) Screw (included with 46007)
- 2) Air hose has external thread. Lube hose has internal thread.

NOTE

Follower must be rubbed into lubricant to ensure seal on bottom surface of follower.

Service parts

Item	Description	Part number	Quantity	Item	Description	Part number	Quantity
1	Basic pump	82050	1	10	Screw	50060	4
2	Outlet adapter	11348	2	11	Air coupler	815	1
3	Airmotor cover assembly	84935*	1	12	Drum cover	46007	1
4	Cover nut	11478	1	13	Air coupler nipple	11659	1
5	Elbow union	80202	1	14	Coupler nut	10603	1
6	Hose connector	10198	2	15	Coupler stud	10601	1
7	Lube hose	75060	1	16	Coupler body	10602	1
8	Air hose	72036	1	Not shown	Nut	50754	1
9	Follower	84780	1				

* Indicates change.

This page left intentionally blank.

Warranty

The instructions do not contain any information on the warranty. This can be found in the General Conditions of Sales, available at: www.lincolnindustrial.com/technicalservice or www.skf.com/lubrication.

skf.com | lincolnindustrial.com

® SKF and Lincoln are registered trademarks of the SKF Group.

© SKF Group 2018
The contents of this publication are the copyright of the publisher and may not be reproduced (even extracts) unless prior written permission is granted. Every care has been taken to ensure the accuracy of the information contained in this publication but no liability can be accepted for any loss or damage whether direct, indirect or consequential arising out of the use of the information contained herein.
March 2018 · Form 403460 Version 2