



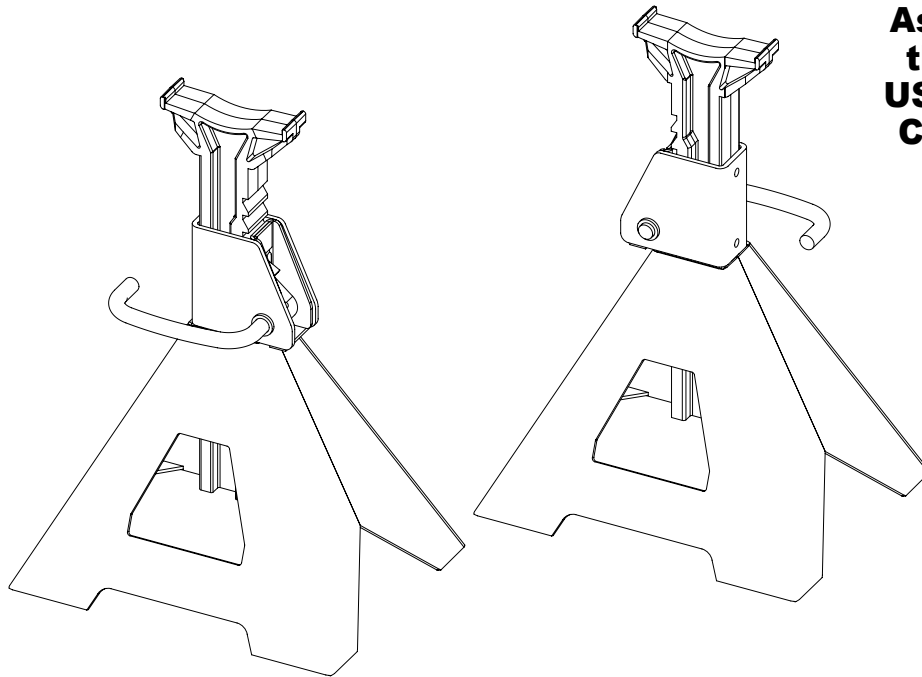
# Jack Stands

## Operating Instructions & Parts Manual

Model Number	Capacity per pair
HW93503	3 Ton
HW93506	6 Ton



**Assembled in  
the US with  
US and Global  
Components**



*This is the safety alert symbol. It is used to alert you to potential personal injury hazards. Obey all safety messages that follow this symbol to avoid possible injury or death.*

**⚠ WARNING: Cancer and Reproductive Harm.**  
**[www.P65Warnings.ca.gov](http://www.P65Warnings.ca.gov)**

SFA Companies  
10939 N. Pomona Ave. Kansas City, MO 64153  
[customerservices@heinwerner-automotive.com](mailto:customerservices@heinwerner-automotive.com)

**Read this manual and follow all the Safety Rules and Operating Instructions before using this product.**

## SAFETY AND GENERAL INFORMATION

**Save these instructions.** For your safety *read, understand, and follow* the information provided with and on this pair of jack stands before using. The owner and operator of this equipment shall have an understanding of the jack stands and safe operating procedures before attempting to use. The owner and operator shall be aware that use of this product may require special skills and knowledge. Instructions and safety information shall be conveyed in the operator's native language before use of these jack stands is authorized. If any doubt exists as to the safe and proper use of these jack stands, remove from service immediately.

**Inspect before each use.** Do not use if broken, bent, cracked, or damaged parts (including labels) are noted. Any jack stand that appears damaged in any way, operates abnormally or is missing parts, shall be removed from service immediately. If you suspect that the jack stand was subjected to a shock load (a load dropped suddenly, unexpectedly upon it), immediately discontinue use until the stand has been checked by a factory authorized service center (contact distributor or manufacturer for list of Authorized Service Centers). It is recommended that an annual inspection be done by qualified personnel. Labels and owner's manuals are available from manufacturer.

## PRODUCT DESCRIPTION

Hein-Werner Jack Stands are designed to support rated capacity, partial vehicle loads consisting of one end of a vehicle. Use as a matched pair to support one end of a vehicle only.

**⚠ WARNING:** *Do not use automotive jack stands to support both ends or one side of a vehicle. Use only one (1) pair per vehicle. Rated capacity is per pair only.*

## SPECIFICATIONS

Model	Capacity per Pair	Base Size	Min. Height	Max. Height
HW93503	3 Ton	9" x 7-1/4"	12"	19"
HW93506	6 Ton	13" x 10-1/4"	16-1/4"	25-1/4"

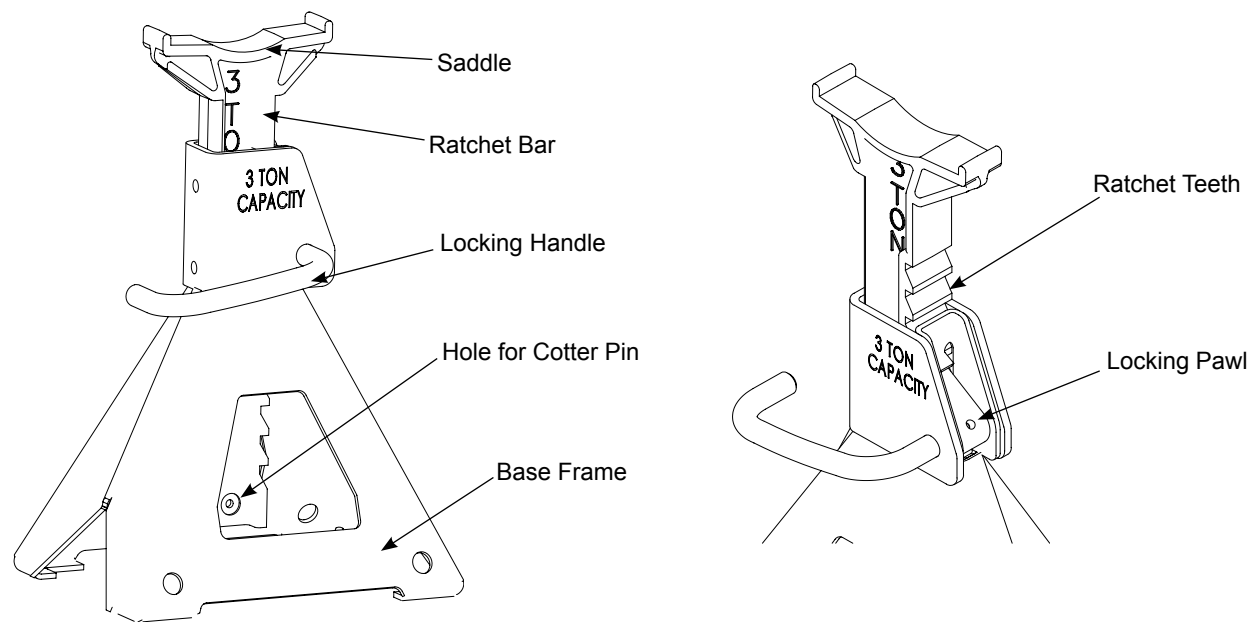


Figure 1 - Jack Stand Components

## BEFORE USE

(refer to Figure 1 for location of components)

1. Verify that the product and the application are compatible, if in doubt call Hein-Werner Technical Service (816) 891-6390.
2. Inspect stands before each use. Do not use if there are bent, broken or cracked components noted (including labels). Ensure that all parts move freely.
3. Read the operator's manual completely and familiarize yourself thoroughly with the product and the hazards associated with its improper use **before** using this product.
4. Install ratchet bar into base frame with ratchet portion of bar aligned with locking pawl.
5. Move the ratchet bar to its lowest position by raising the locking handle and guiding the bar downward.
6. Insert cotter pin into the bottom hole of the ratchet bar to prevent inadvertent loss of the ratchet bar (refer to Figure 1).
7. Always refer to the vehicle owners or service manual for location of proper lift and support points.

## OPERATION

**⚠ WARNING:** *Use only on areas of the vehicle as specified by the vehicle manufacturer. Use ONLY on vehicles whose support points are compatible with the saddle of the jack stand. Incompatibility may result in structural damage to the vehicle and/or jack stand. Structural damage to either may result in sudden and unexpected loss of load height.*

**⚠ WARNING:** *Only attachments and/or adapters supplied by the manufacturer shall be used.*

1. Adjust height by pulling up on ratchet bar.
2. The weight of locking handle should secure the ratchet bar in desired position. To confirm this, simply push down on the locking handle. Ensure ratchet is secure before loading.
3. *Carefully* position jack stands so that load is centered on stand's saddle.
4. *Slowly* lower the vehicle onto the stands.
5. Check to ensure vehicle is secure before working on, around or under. Use wheel chocks on all unlifted wheels in both directions to prevent inadvertent movement.

### To lower load

**⚠ WARNING:** *Be sure that all tools and personnel are clear before lowering load.*

1. With suitable jack, raise vehicle clear of stands.
2. Unlock ratchet pawl and allow ratchet to glide down to lowest position.
3. Carefully remove stands, then carefully lower vehicle with lift device.

## MAINTENANCE

Periodically inspect each stand. Ensure all parts move freely. Do not apply oil or grease to any portion of this product. If rust appears, sand affected area and cover with suitable utility paint. Please note that there is no replacement part applicable to this device.

### Storage

Store stands in upright position and in a clean, dry area.

## ⚠ WARNING

- Study, understand, and follow all instructions before operating this device.
- Rated capacity is per pair - do not exceed rated capacity.
- Use only on hard, level surface.
- Center load on saddle.
- Use as a matched pair only.
- Stands are not to be used to simultaneously support both ends or one side of a vehicle.
- No alterations shall be made to this device.
- Failure to heed these markings may result in personal injury and/or property damage.

## ⚠ WARNING

- Read understand, and follow the instructions before using the appliance.
- The operating manual and safety information should be communicated in the native language of the operator before use.
- Failure to do so may cause personal injury and/or property damage.



## **TWO YEAR LIMITED WARRANTY**

For a period of two (2) years from date of purchase, SFA Companies will repair or replace, at its option, without charge, any of its products which fails due to a defect in material or workmanship under normal usage. This limited warranty is a consumer's exclusive remedy.

Performance of any obligation under this warranty may be obtained by returning the warranted product, freight prepaid, to SFA Companies Warranty Service Department, 10939 N. Pomona Ave., Kansas City, MO 64153.

Except where such limitations and exclusions are specifically prohibited by applicable law:

- (1) THE CONSUMER'S SOLE AND EXCLUSIVE REMEDY SHALL BE THE REPAIR OR REPLACEMENT OF DEFECTIVE PRODUCTS AS DESCRIBED ABOVE
- (2) SFA COMPANIES SHALL NOT BE LIABLE FOR ANY CONSEQUENTIAL OR INCIDENTAL DAMAGE OR LOSS WHATSOEVER.
- (3) ANY IMPLIED WARRANTIES, INCLUDING WITHOUT LIMITATION THE IMPLIED WARRANTIES OF MERCHANTABILITY AND FITNESS FOR A PARTICULAR PURPOSE, SHALL BE LIMITED TO TWO YEARS, OTHERWISE THE REPAIR, REPLACEMENT OR REFUND AS PROVIDED UNDER THIS EXPRESS LIMITED WARRANTY IS THE EXCLUSIVE REMEDY OF THE CONSUMER, AND IS PROVIDED IN LIEU OF ALL OTHER WARRANTIES, EXPRESS OR IMPLIED.
- (4) ANY MODIFICATION, ALTERATION, ABUSE, UNAUTHORIZED SERVICE OR ORNAMENTAL DESIGN VOIDS THIS WARRANTY AND IS NOT COVERED BY THIS WARRANTY.

Some states do not allow limitations on how long an implied warranty lasts, so the above limitation may not apply to you. Some states do not allow the exclusion or limitation of incidental or consequential damages, so the above limitation or exclusion may not apply to you. This warranty gives you specific legal rights, and you may also have other rights which vary from state to state.