

PRODUCT CATALOG



DEVILBISS[®]
AUTOMOTIVE REFINISHING

Table of Contents

Quick Reference Chart	3
SPRAY GUNS AND ACCESSORIES	4–29
Gravity Feed Guns	4–14
Gravity Feed Cups and Liners	15–16
Suction Feed Guns and Cups	17–20
Pressure Feed Guns.....	21–25
Pressure Tanks and Accessories.....	26–29
DISPOSABLE CUPS AND ACCESSORIES.....	30–33
AIRBRUSHES AND ACCESSORIES.....	34
AIR CONTROL	35–49
Air Filtration	35–43
Air Filtration Service Parts	44
Properly Piped Shop	45
Hose and Fittings	46–48
Air Regulators & Adjusting Valves.....	49
SAFETY	50–52
Respirators	50
Breathable Air Filtration	51–52
CLEAN SOLUTIONS.....	53–55
MAINTENANCE AND ACCESSORIES.....	56–60
Troubleshooting.....	61



Quick Reference Chart

Kit#	Spray Gun Repair Kits
6-188	7 Con Suc
6-229	2001 Con. Suc/Press HVLP/ 69/ 2100
54-3605	MACH 1 HVLP Press
54-4367-1	M1G
702732	TEKNA/SRIPro Air Valve Kit
702736	TEKNA/SRIPro
703530	TEKNA ProLite Air Valve Kit
703536	TEKNA
802425	StartingLine Full Size
802426	StartingLine Touchup
DGR-121K	DAGR Airbrush
DGR-18-K5	DAGR Airbrush
FLG-488	FLG 3
FLG4-488-K	FLG 4
GTI-428-K5	GTI, JGA
KK-4987-2	JGA-502,503,510 & JGHV-530 & 531
KK-5044	EGA/EGHV
KK-5058-2	GTI, PLUS, PRI, JGA-504
SPK-101-K	CVI Air Valve Kit
SPK-402-K	CVI
SRI-426	SRI
Kit#	Cup Repair Kits
80-353	80-350 & 80-351 SG2
KK-5007	TGC/TLC
Kit#	Cup Gaskets
80-11-5	80-228
803615	StartingLine Cup Fitting Gasket Kit
KB-80-K5	KB-555
KGP-13-K5	GTI/FinishLine (Blue) GFC-502, 504 & 501, PLUS, PRI, FLG 3, FLG 4
TGC-9-K5	TGC-545, TLC-555, 82-545 & 82-555
TGS-4-K5	TGS
Kit#	Gravity Cup Liners
OMX-70-K48	Any 20 oz., 1 qt. or 1 liter
Kit#	Spray Gun Strainers
81-82	Fluid Strainer Assy 145 mesh WHITE
81-83	Fluid Strainer Assy 100 mesh BLUE
81-84	Fluid Strainer Assy 80 mesh RED
Kit#	Hose Sets
KB-4006	6ft Air/Fluid Hose Set
Kit#	Fluid Regulator Repair
KK-4456	HGS series

Kit#	Air Regulator Repair
6-207	85-214/85-215
KB-428-1	HARG-510
KK-4139-3	HAR-502/HAR-505
KK-4977	HAR-507/HAR-511
KK-5088	130525/HAR-602/HAR-605/HAR-680
130521	130516
Kit#	Agitator Air Motor
KK-5001-1	QS-5001 (Air Motor)
Kit#	Tank Gaskets
83-1419	Old 2 gal. Non-ASME Santoprene
83-1420	Old 5 gal. ASME Galv Santoprene
PT-33-1	83C series
QMS-80-1	83G series
QM-1458-1	Old 5, 10 / 9.8 gal. ASME Santoprene
Kit#	Liners ASME Gal (Zinc Plated) Tanks
6-238-60	83-55xx (2 gal.)
6-239	83-54xx (5 gal.)
PT-52	83C series
PT-52-K60	83C series
PTL-406-K20	QMGT-55, 83G-520, 183G-520
PTL-410-K8	QMGT-51xxxx
Kit#	Disp. Anti-Stat Polyethylene Liners
80-356	80-350/80-351 2 qt.
KK-5051	KB-545-SS/ KB-555 2 qt.
Kit#	Air Control Replacement Elements
	See page 44 for Air Control Replacement Elements
Kit#	Waterborne Air Dryer
130531	Filters for 130530, 130529

TEKNA® Clearcoat

THE NEW STANDARD FOR CLEARCOAT APPLICATION



Includes:

- TE25 (High Efficiency) and HV30 (HVLV) air caps
- Multiple fluid tips
- Digital Gauge with air adjusting valve (HAV-555)
- Gun wrench and color ID rings



Waterborne compatible when using a plastic or disposable cup system.



Refer to Technical Bulletin: TB-1026

Order No.	Fluid Tips	Cup	Air Caps
704198	1.2, 1.3 & 1.4mm	Uncupped	TE25 (HE) & HV30 (HVLV)

* Uncupped guns include disposable cups adapter

TEKNA® Clearcoat Air Caps

TE25 air cap (HE)	Suitable for all types of clearcoats Air Cap Order/Model No. 704200 11 – 13 CFM @ 22 – 29 PSI inlet	Air Cap Pattern 12-13"
HV30 air cap (HVLV)	Clearcoats Air Cap Order/Model No. 703540 13 – 15 CFM @ 20 – 24 PSI inlet	Air Cap Pattern 13-14"
Fluid Tips	1.2mm, 1.3mm, 1.4mm, 1.5mm	

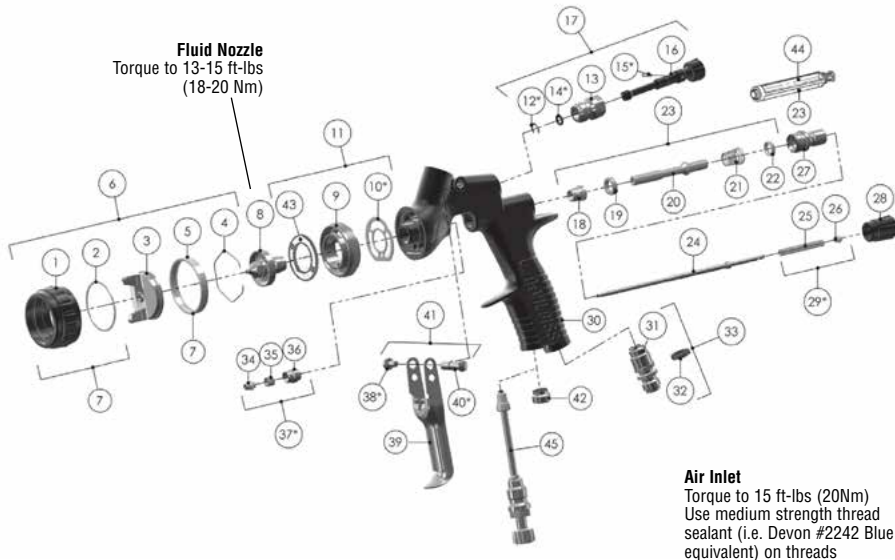


CHART 1 Air Cap Replacement Parts

Air Cap Order No.	Application	Air Cap No.	Recommended Inlet Pressure BAR/PSI	Air Flow LPM/SCFM
704200	Clearcoats	TE25	1.5–2.0 bar 22–29 psi	311 – 368 LPM 11 – 13 SCFM
704206	Clearcoats	HV30	1.4–1.6 bar 20–24 psi	368 – 424 LPM 13 – 15 SCFM

CHART 2 Fluid Nozzles

Fluid Nozzle Order No.	No. on Fluid Nozzle	Tip Size (mm)
703521	PRO-200-12	1.2
703522	PRO-200-13	1.3
703523	PRO-200-14	1.4
703589	PRO-200-15	1.5

SERVICE PARTS

Spray Gun repair kit (includes items marked *)	703536
Seal and Pin Kit, kit of 5 (items 12, 14 and 15)	192229

Ref #	Description	Part #	Qty
1	Air Cap Retaining Ring		1
2	Slip Ring		1
3	Air Cap		1
4	Air Cap Retaining Clip	191972	1
5	Retaining Ring Seal		1
6	Aircap & Ring	Chart 1	1
7	Air Cap Retaining Ring & Seals	703896	1
8	Fluid Nozzle	Chart 2	1
9	Spray head		1
*10	Spray head Seal	702726	1
11	Spray head kit	703529	1
*12	Circlip		1
13	Valve Body		1
*14	O Ring		1
*15	Spreader Valve Pin		1
16	Spreader Valve Adjusting Knob		1
17	Spreader Valve Assembly	703898	1
18	Front Valve Seal		1
19	Valve Seat		1
20	Spindle		1
21	Air Valve Spring		1
22	Rear Valve Seal		1
23	Air Valve Kit	703530	1
24	Fluid Needle	Chart 2	1
25	Needle Spring		1
26	Spring Pad		1
27	Housing & Seal Kit	703532	1
28	Fluid Adjusting Knob	704163	1
*29	Needle Spring Kit	703534	1
30	Gunbody		1
31	Air Inlet		1
32	Colour ID Ring Kit (4 Colours)	702735	1
33	Air Inlet Kit	702734	1
34	Needle Packing		1
35	Packing Spring		1
36	Packing Nut		1
*37	Packing, Spring and Packing Nut Kit	702731	1
*38	Trigger Screw		1
39	Trigger		1
*40	Trigger Stud		1
41	Trigger Stud & Screw Kit	703535	1
42	Plug		1
43	Baffle Plate	704162	1
44	Air Valve Service Tool (only included in the Air Valve Kit 23)		1
45	Cheater Valve (optional)	704164	1

TEKNA® Basecoat

THE ULTIMATE BASECOAT SPRAY GUN



Includes:

- HV20 HVLP Air Cap
- Extra needle/nozzle set
- Digital gauge with air adjusting valve (HAV-555)
- Gun wrench and color ID rings



Waterborne compatible when using a plastic or disposable cup system.



Order No.	Fluid Tips	Cup	Air Caps
703892*	1.2, 1.3mm	Uncupped	HV20 (HVLP)
703893*	1.3, 1.4mm	Uncupped	HV20 (HVLP)
703894	1.2, 1.3mm	900cc Aluminum	HV20 (HVLP)
703895	1.3, 1.4mm	900cc Aluminum	HV20 (HVLP)

* Uncupped guns include disposable cups adapter

TEKNA® Basecoat Air Caps

HV20 air cap (HVLP)	Solvent and waterborne basecoats Air Cap Order/Model No 703899 11.2–13 CFM @ 14–18 PSI inlet	Air Cap Pattern 12½"
Fluid Tips	1.2mm, 1.3mm, 1.4mm, 1.5mm	



Refer to Technical Bulletin: TB-1018

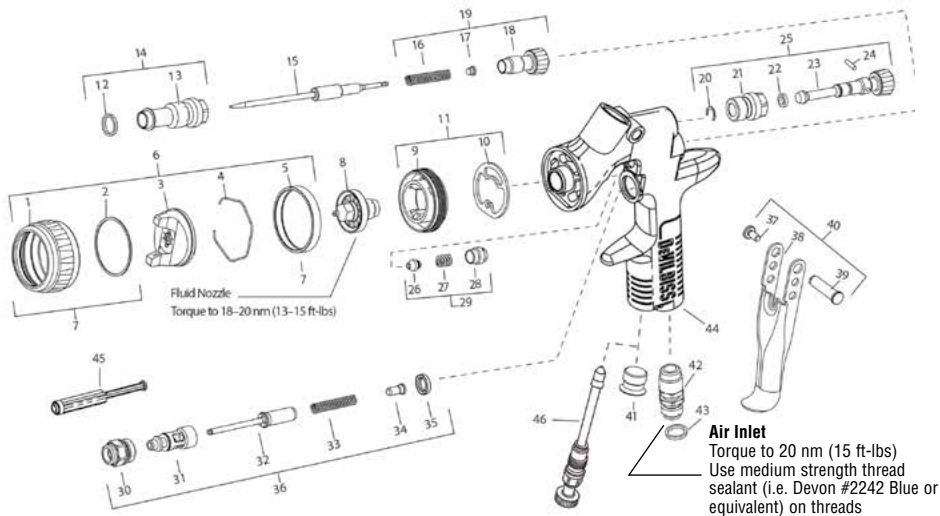


CHART 1 Air Cap Replacement Parts

Air Cap Order No.	Application	Air Cap No.	Recommended Inlet Pressure BAR/PSI	Air Flow LPM/SCFM
703899	Basecoats	HV20	1.2–1.3 bar 14–18 psi	317–368 LPM 11.2–13.0 CFM

CHART 2 Fluid Nozzles

Fluid Nozzle Order No.	No. on Fluid Nozzle	Tip Size (mm)
702711	SN-37-11	1.1
702712	SN-37-12	1.2
702713	SN-37-13	1.3
702714	SN-37-14	1.4
702715	SN-37-15	1.5

Wrench (10 & 14mm)	702740
Seal and Pin Kit, kit of 5 (items 20, 22 and 24)	192229

* The TEKNA Spray Gun Repair Kit (702736) contains all the parts indicated with an asterisk.

Ref #	Description	Part #	Qty
1	Air Cap Retaining Ring		1
2	Slip Ring		1
3	Air Cap		1
4	Air Cap Retaining Clip	191972	1
5	Retaining Ring Seal		1
6	Air Cap & Ring	Chart 1	1
7	Air Cap Retaining Ring & Seals	703896	1
8	Fluid Nozzle	Chart 2	1
9	Air Separator		1
*10	Air Separator Seal (kit of 2)	702726	1
11	Air Separator & Seal Kit	703900	1
*12	Body Bushing Gasket		1
13	Body Bushing		1
14	Body Bushing & Gasket	702728	1
15	Fluid Needle	Chart 2	1
*16	Needle Spring		1
*17	Needle Spring Pad		1
18	Fluid Adjusting Knob		1
19	Fluid Adjusting Knob, Spring, & Pad Kit	703897	1
*20	Retaining Clip		1
21	Spreader Valve Body		1
*22	O-ring		1
23	Spreader Valve Adjusting Knob		1
*24	Spreader Valve Pin		1
25	Spreader Valve Assembly	703898	1
*26	Needle Packing		1
*27	Packing Spring		1
*28	Packing Nut		1
29	Packing, Spring & Packing Nut Kit	702731	1
30	Air Valve Body		1
31	Air Valve Cage		1
32	Air Valve Poppet		1
33	Air Valve Spring		1
34	Air Valve Spring Pad		1
35	Air Valve Seal		1
36	Air Valve Assembly	702732	1
*37	Trigger Stud Screw (T20 Star)		1
38	Trigger		1
*39	Trigger Stud		1
40	Trigger, Stud & Screw Kit	702733	1
41	Plug		1
42	Air Inlet	702734	1
43	Colour ID Ring Kit (4 Colours)	702735	1
44	Gun Body		1
45	Air Valve Service Tool (only included with Air Valve Assembly 36)		1
46	Air Adjusting Valve (optional)	702737	1

TEKNA® Primer

THE ULTIMATE IN PRIMER SPRAY GUN TECHNOLOGY



- Includes:**
- PR10 (High Efficiency) and PR30 (HVLV) Air Caps
 - 900cc Aluminum Cup
 - Gun wrench



Waterborne compatible when using a plastic or disposable cup system.



Order No.	Fluid Tips	Cup	Air Caps
704174	1.4, 1.6mm	900cc Aluminum	PR10 (HE) & PR30 (HVLV)
704175	1.8, 2.0mm	900cc Aluminum	PR10 (HE) & PR30 (HVLV)
704182	2.5mm	900cc Aluminum	PR10 (HE) & PR30 (HVLV)

TEKNA® Primer Air Caps

PR10 air cap (HE)	Primers including low VOC Air Cap Order/Model No. 704165 12.0 CFM @ 29.0 PSI inlet	Air Cap Pattern 10½"-12"
PR30 air cap (HVLV)	Primers including low VOC Air Cap Order/Model No. 704166 16.0 CFM @ 21.0 PSI inlet	Air Cap Pattern 11-13"
Fluid Tips	1.4mm, 1.6mm, 1.8mm, 2.0mm, 2.5mm	

Accessories (sold separately)

Order No.	Model No.	Description
704245	PRIPRO-219-UV1-K	UV1 Fluid Tip
704246	PRIPRO-219-UV2-K	UV2 Fluid Tip
704247	PRIPRO-319-K	UV Fluid Needle
704240	GFC-515	Black Polyester UV Gravity Cup
704241	PRO-46-K3	Protective Air Cap Cover (pack of 3)



Refer to Technical Bulletin: TB-1024

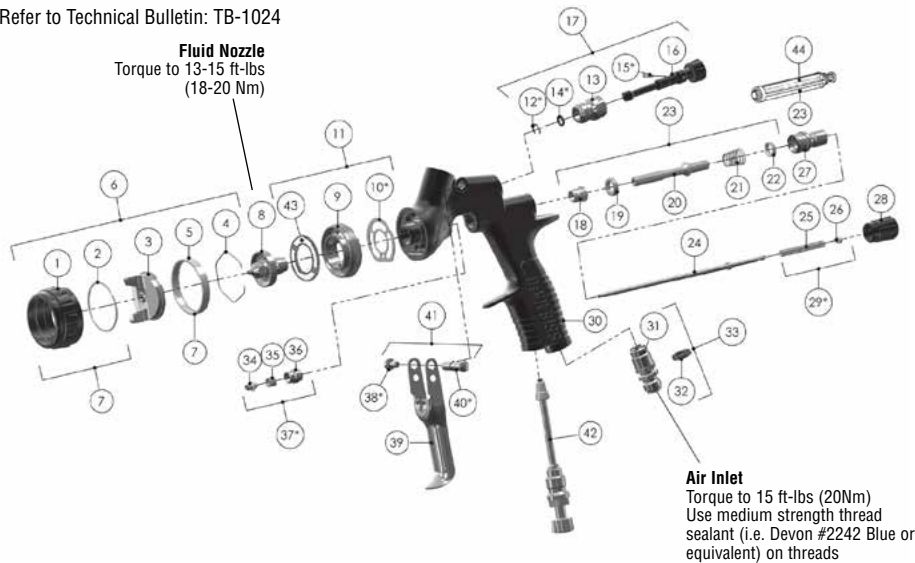


CHART 1 Air Cap Replacement Parts

Air Cap Order No.	Application	Air Cap No.	Recommended Inlet Pressure BAR/PSI	Air Flow LPM/SCFM
704165	Primers, including low VOC	PR10	1.8-2.0 bar 26-29 psi	311 - 340 LPM 11 - 12 SCFM
704166	Primers, including low VOC	PR30	1.2-1.4 bar 17-21 psi	396 - 453 LPM 14 - 16 SCFM

CHART 2 Fluid Nozzles

Fluid Nozzle Order No.	No. on Fluid Nozzle	Tip Size (mm)
704168	PRIPRO-220-14	1.4
704169	PRIPRO-220-16	1.6
704170	PRIPRO-220-18	1.8
704171	PRIPRO-220-20	2.0
704172	PRIPRO-220-25	2.5

SERVICE PARTS

Spray Gun repair kit (includes items marked *)	703536
Seal and Pin Kit, kit of 5 (items 12, 14 and 15)	192229

Ref #	Description	Part #	Qty
1	Air Cap Retaining Ring		1
2	Slip Ring		1
3	Air Cap		1
4	Air Cap Retaining Clip	191972	1
5	Retaining Ring Seal		1
6	Aircap & Ring	Chart 1	1
7	Air Cap Retaining Ring & Seals	703896	1
8	Fluid Nozzle	Chart 2	1
9	Spray head		1
*10	Spray head Seal	702726	1
11	Spray head kit	703529	1
*12	Circlip		1
13	Valve Body		1
*14	O Ring		1
*15	Spreader Valve Pin		1
16	Spreader Valve Adjusting Knob		1
17	Spreader Valve Assembly	703898	1
18	Front Valve Seal		1
19	Valve Seat		1
20	Spindle		1
21	Air Valve Spring		1
22	Rear Valve Seal		1
23	Air Valve Kit	703530	1
24	Fluid Needle	Chart 2	1
25	Needle Spring		1
26	Spring Pad		1
27	Housing & Seal Kit	703532	1
28	Fluid Adjusting Knob	704163	1
*29	Needle Spring Kit	703534	1
30	Gunbody		1
31	Air Inlet		1
32	Colour ID Ring Kit (4 Colours)	702735	1
33	Air Inlet Kit	702734	1
34	Needle Packing		1
35	Packing Spring		1
36	Packing Nut		1
*37	Packing, Spring and Packing Nut Kit	702731	1
*38	Trigger Screw		1
39	Trigger		1
*40	Trigger Stud		1
41	Trigger Stud & Screw Kit	703535	1
42	Cheater Valve (optional)	702737	1
43	Baffle Plate	704162	1
44	Air Valve Service Tool (only included in the Air Valve Kit 23)		1

TEKNA® ProLite

BASECOAT/CLEARCOAT GRAVITY FEED SPRAY GUNS



Includes:

- HAV-555 air adjusting valve with digital gauge
- Gun wrench
- Color identification rings
- Additional fluid tips
- QuickClean™ coating

EPA Compliant.
Approved in most
HVP areas.

EPA and
SCAQMD
Approved

Waterborne
Compatible

Waterborne compatible
when using a plastic or
disposable cup system.

Order No.	Fluid Tips	Cup	Air Caps
703517*	1.3, 1.4, 1.5mm	Uncupped	TE20, HV30
703567*	1.2, 1.3, 1.4mm	Uncupped	TE10, TE20
703566	1.2, 1.3, 1.4mm	900cc Aluminum	TE10, TE20

* Uncupped guns include disposable cups adapter

TEKNA® ProLite Air Caps

Model	Application	Air Cap Order/Model No.	Air Cap Pattern
HV30 air cap (HVLV)	Basecoats, clearcoats	703540	13-14"
TE10 air cap (HE)	Basecoats, low solids clearcoats	703538	12-13"
TE20 air cap (HE)	Basecoats, high solids clearcoats	703539	12-13"
Fluid Tips	1.2mm, 1.3mm, 1.4mm, 1.5mm		



Refer to Technical Bulletin: TB-1008

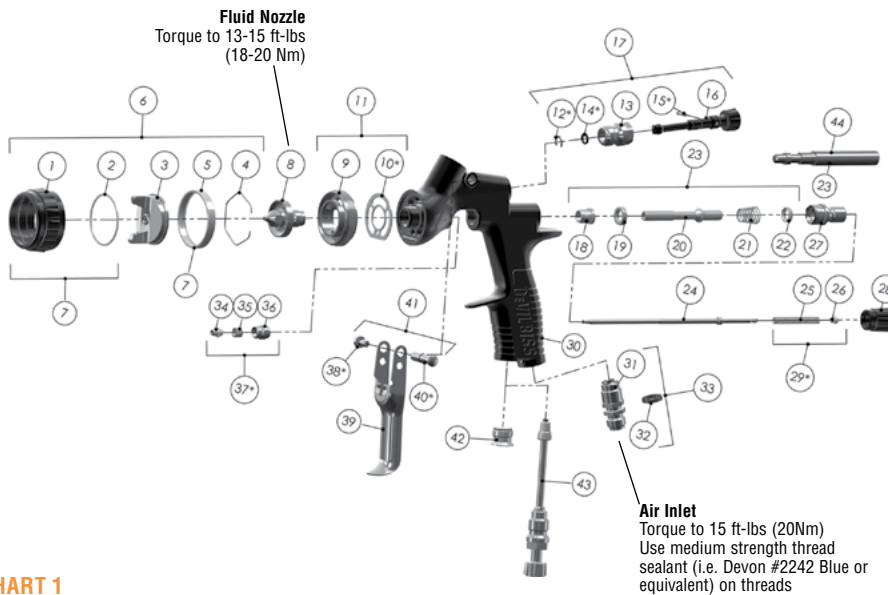


CHART 1
Air Cap Replacement Parts

Air Cap Order No.	Application	Air Cap No.	Recommended Inlet Pressure BAR/PSI	Air Flow LPM/SCFM
703540	Basecoats Clearcoats	HV30	1.4–1.6 bar 20–24 psi	411–467 LPM 14.5–16.5 CFM
703538	Basecoats, low solids clearcoats	TE10	1.4–2.4 bar 20–35 psi	212–311 LPM 7.5–11.0 CFM
703539	Basecoats, high solids clearcoats	TE20	1.1–1.8 bar 16–26 psi	255–340 LPM 9–12 CFM

CHART 2
Fluid Nozzles

Fluid Nozzle Order No.	No. on Fluid Nozzle	Tip Size (mm)
703521	PRO-200-12	1.2
703522	PRO-200-13	1.3
703523	PRO-200-14	1.4
703589	PRO-200-15	1.5

Ref #	Description	Part #	Qty
1	Air Cap Retaining Ring		1
2	Slip Ring		1
3	Air Cap		1
4	Air Cap Retaining Clip	191972	1
5	Retaining Ring Seal		1
6	Aircap & Ring	Chart 1	1
7	Air Cap Retaining Ring & Seals	702725	1
8	Fluid Nozzle	Chart 2	1
9	Spray head		1
*10	Spray head Seal	702726	1
11	Spray head kit	703529	1
*12	Circlip		1
13	Valve Body		1
*14	O Ring		1
*15	Spreader Valve Pin		1
16	Spreader Valve Adjusting Knob		1
17	Spreader Valve Assembly	702730	1
18	Front Valve Seal		1
19	Valve Seat		1
20	Spindle		1
21	Air Valve Spring		1
22	Rear Valve Seal		1
23	Air Valve Kit	703530	1
24	Fluid Needle	703531	1
25	Needle Spring		1
26	Spring Pad		1
27	Housing & Seal Kit	703532	1
28	Fluid Adjusting Knob	703533	1
*29	Needle Spring Kit	703534	1
30	Gunbody		1
31	Air Inlet		1
32	Colour ID Ring Kit (4 Colours)	702735	1
33	Air Inlet Kit	702734	1
34	Needle Packing		1
35	Packing Spring		1
36	Packing Nut		1
*37	Packing, Spring and Packing Nut Kit	702731	1
*38	Trigger Screw		1
39	Trigger		1
*40	Trigger Stud		1
41	Trigger Stud & Screw Kit	703535	1
42	Plug		1
43	Cheater Valve (optional)	702737	1
44	Air Valve Service Tool (only included in the Air Valve Kit 23)		1

SERVICE PARTS

Spray Gun repair kit (includes items marked *)	703536
Seal and Pin Kit, kit of 5 (items 12, 14 and 15)	192229

TEKNA® Pro BASECOAT/CLEARCOAT GRAVITY FEED SPRAY GUNS



Includes:

- Multiple air caps and nozzles
- HAV-555 digital air adjusting valve with gauge
- Gun wrench and color ID rings
- Full-size gun body

EPA Compliant.
Approved in most
HVLV areas.

EPA and
SCAQMD
Approved

Waterborne compatible when using a plastic or disposable cup system.

Order No.	Fluid Tips	Cup	Air Caps
703582*	1.3, 1.4, & 1.5mm	Uncupped	TE20 & HV30
703581*	1.2, 1.3, & 1.4mm	Uncupped	TE10 & TE20
703580	1.2, 1.3, & 1.4mm	900cc Aluminum	TE10 & TE20

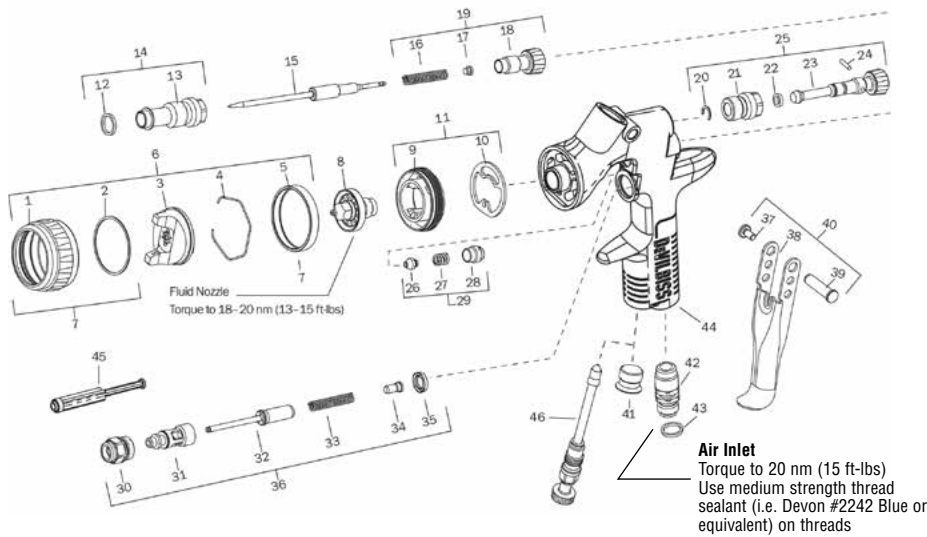
* Uncupped guns include disposable cups adapter

TEKNA® Pro Air Caps

TE10 air cap (HE)	Basecoats, low solids clearcoats Air Cap Order/Model No. 703538 7.5–11 CFM @ 20–35 PSI inlet	Air Cap Pattern 12-13"
TE20 air cap (HE)	Basecoats, high solids clearcoats Air Cap Order/Model No. 703539 9–12 CFM @ 16–26 PSI inlet	Air Cap Pattern 12-13"
HV30 air cap (HVLV)	Basecoats, clearcoats Air Cap Order/Model No. 703540 14.5–16.5 CFM @ 20–24 PSI inlet	Air Cap Pattern 13-14"
Fluid Tips	1.2mm, 1.3mm, 1.4mm, 1.5mm	



Refer to Technical Bulletin: TB-1012



**CHART 1
Air Cap Replacement Parts**

Air Cap Order No.	Application	Air Cap No.	Recommended Inlet Pressure BAR/PSI	Air Flow LPM/SCFM
703540	Basecoats Clearcoats	HV30	1.4–1.6 bar 20–24 psi	411–467 LPM 14.5–16.5 CFM
703538	Basecoats, low solids clearcoats	TE10	1.4–2.4 bar 20–35 psi	212–311 LPM 7.5–11.0 CFM
703539	Basecoats, high solids clearcoats	TE20	1.1–1.8 bar 16–26 psi	255–340 LPM 9–12 CFM

**CHART 2
Fluid Nozzles**

Fluid Nozzle Order No.	No. on Fluid Nozzle	Tip Size (mm)
703521	PRO-200-12	1.2
703522	PRO-200-13	1.3
703523	PRO-200-14	1.4
703589	PRO-200-15	1.5

Wrench (10 & 14mm)	702740
Seal and Pin Kit, kit of 5 (items 20, 22 and 24)	192229

* The TEKNA Spray Gun Repair Kit (702736) contains all the parts indicated with an asterisk.

Ref #	Description	Part #	Qty
1	Air Cap Retaining Ring		1
2	Slip Ring		1
3	Air Cap		1
4	Air Cap Retaining Clip	191972	1
5	Retaining Ring Seal		1
6	Air Cap & Ring	Chart 1	1
7	Air Cap Retaining Ring & Seals	702725	1
8	Fluid Nozzle	Chart 2	1
9	Air Separator		1
*10	Air Separator Seal (kit of 2)	702726	1
11	Air Separator & Seal Kit	703529	1
*12	Body Bushing Gasket		1
13	Body Bushing		1
14	Body Bushing & Gasket	702728	1
15	Fluid Needle	Chart 2	1
*16	Needle Spring		1
*17	Needle Spring Pad		1
18	Fluid Adjusting Knob		1
19	Fluid Adjusting Knob, Spring, & Pad Kit	702729	1
*20	Retaining Clip		1
21	Spreader Valve Body		1
*22	O-ring		1
23	Spreader Valve Adjusting Knob		1
*24	Spreader Valve Pin		1
25	Spreader Valve Assembly	702730	1
*26	Needle Packing		1
*27	Packing Spring		1
*28	Packing Nut		1
29	Packing, Spring & Packing Nut Kit	702731	1
30	Air Valve Body		1
31	Air Valve Cage		1
32	Air Valve Poppet		1
33	Air Valve Spring		1
34	Air Valve Spring Pad		1
35	Air Valve Seal Seal (Kit of 5)	803307	1
36	Air Valve Assembly	702732	1
*37	Trigger Stud Screw (T20 Star)		1
38	Trigger		1
*39	Trigger Stud		1
40	Trigger, Stud & Screw Kit	702733	1
41	Plug		1
42	Air Inlet	702734	1
43	Colour ID Ring Kit (4 Colours)	702735	1
44	Gun Body		1
45	Air Valve Service Tool (only included with Air Valve Assembly 36)		1
46	Air Adjusting Valve (optional)	702737	1

TEKNA® Copper HE BASECOAT/CLEARCOAT GRAVITY FEED SPRAY GUNS



Includes:

- 7E7 high efficiency air cap
- HAV-555 air adjusting valve with digital gauge
- Extra needle/nozzle set
- Gun wrench and color ID rings

EPA and SCAQMD Approved

EPA Compliant. Approved in most HVLP areas.

Waterborne compatible when using a plastic or disposable cup system.

Order No.	Needle/Nozzle	Cup	Air Cap
703675*	1.2mm, 1.3mm	Uncupped	7E7
703676	1.2mm, 1.3mm	900cc Aluminum	7E7
703661*	1.3mm, 1.4mm	Uncupped	7E7
703662	1.3mm, 1.4mm	900cc Aluminum	7E7

* Uncupped guns include disposable cups adapter

TEKNA® Copper HE Air Caps

Air Cap	Description	Air Cap Pattern
#7E7 air cap (HE)	Basecoats, clearcoats Air Cap Order/Model No. 703062 9–11 CFM @ 16–22 PSI inlet for HVLP approved areas	12½"
#202 air cap (HVLP)	Basecoats (solvent) Air Cap Order/Model No. 702723 13.5–15.5 CFM @ 18–22 PSI inlet	13"
#909 air cap (HVLP)	Clearcoats, waterborne basecoats Air Cap Order/Model No. 702724 14–16 CFM @ 22–26 PSI inlet	12"
Fluid Tips	1.1mm, 1.2mm, 1.3mm, 1.4mm, 1.5mm (for hot climate waterborne)	



Refer to Technical Bulletin: TB-1016

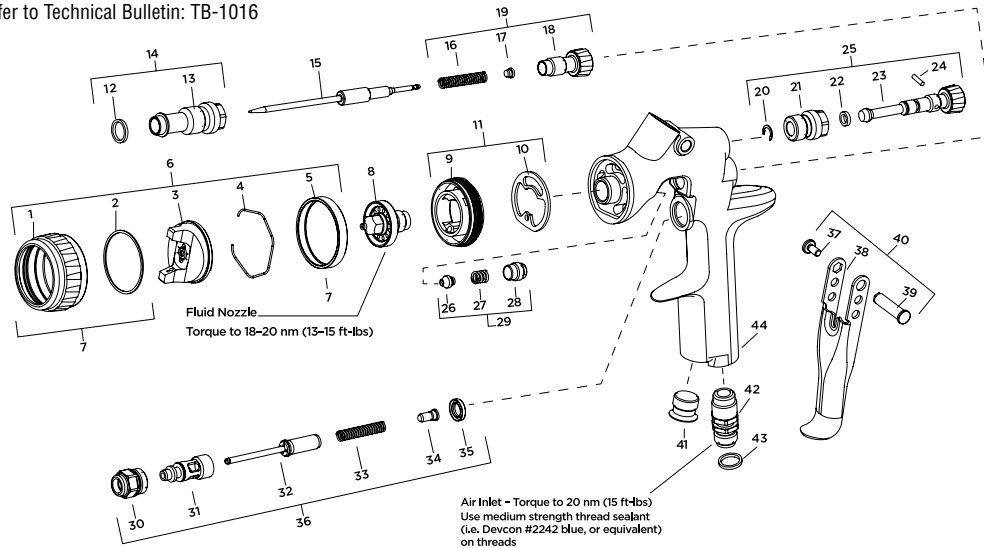


CHART 1: Fluid Nozzle & Fluid Needle Replacement Parts

Fluid Nozzle Size I.D. (mm)	Fluid Nozzle/Needle Set No.	Part No.	Qty
1.1	702711	1	1
1.2	702712	2	1
1.3	702713	3	1
1.4	702714	4	1
1.5	702715	5	1

NOTE: When replacing the fluid nozzle or fluid needle, replace both at the same time. Lightly lubricate the threads of the fluid nozzle before reassembling. Torque 14–16 nm (10–12 ft-lbs). Don't over tighten the fluid nozzle. Use 10mm wrench supplied with gun.

CHART 2: Air Cap Replacement Parts

Air Cap Order No.	Application	Air Cap No.	Recommended Inlet Pressure BAR/PSI	Air Flow LPM/SCFM
702723	Basecoats	#202 HVLP	1.2–1.5 BAR/18–22 PSI	382–434 LPM 13.5–15.5 SCFM
702724	Clearcoats Waterborne Base	#909 HVLP	1.5–1.8 BAR/22–26 PSI	396–453 LPM 14–16 SCFM
703062	Basecoats, clearcoats	#7E7 HE	1.1–1.5 BAR/16–22 PSI (HVLP approved areas) 1.5–2.0 BAR/22–30 PSI (non-HVLP approved areas)	255–312 LPM/9–11 SCFM (HVLP approved areas) 312–368 LPM/11–13 SCFM (non-HVLP approved areas)

Ref. No.	Description	Part No.	Qty
1	Air Cap Retaining Ring		1
2	Slip Ring		1
3	Air Cap		1
4	Air Cap Retaining Clip	191972	1
5	Retaining Ring Seal		1
6	Air Cap & Ring (see Chart 2)		1
7	Air Cap Retaining Ring & Seals	702725	1
8	Fluid Nozzle (see Chart 2)		1
9	Air Separator		1
*10	Air Separator Seal (kit of 2)	702726	1
11	Air Separator & Seal Kit	702727	1
*12	Body Bushing Gasket		1
13	Body Bushing		1
14	Body Bushing & Gasket	702728	1
15	Fluid Needle (see Chart 1)		1
*16	Needle Spring		1
*17	Needle Spring Pad		1

Ref. No.	Description	Part No.	Qty
18	Fluid Adjusting Knob		1
19	Fluid Adjusting Knob, Spring, & Pad Kit	702729	1
*20	Retaining Clip		1
21	Spreader Valve Body		1
*22	O-ring		1
23	Spreader Valve Adjusting Knob		1
*24	Spreader Valve Pin		1
25	Spreader Valve Assembly	702730	1
*26	Needle Packing		1
*27	Packing Spring		1
28	Packing Nut		1
29	Packing, Spring & Packing Nut Kit	702731	1
30	Air Valve Body		1
31	Air Valve Cage		1
32	Air Valve Poppet		1
33	Air Valve Spring		1
34	Air Valve Spring Pad		1
35	Air Valve Seal (kit of 5)	803307	1
36	Air Valve Assembly	702732	1
*37	Trigger Stud Screw (T20 Star)		1
38	Trigger		1
*39	Trigger Stud		1
40	Trigger, Stud & Screw Kit	702733	1
41	Plug		1
42	Air Inlet	702734	1
43	Colour ID Ring Kit (4 Colours)	702735	1
44	Gun Body		1

* The TEKNA Spray Gun Repair Kit (702736) contains all the parts indicated with an asterisk.

OTHER SALABLE PARTS /ACCESSORIES

Wrench (10 & 14mm)	702740
#202 Test Cap (HVLP)	702738
#909 Test Cap (HVLP)	702739
Spray Gun Repair Kit	702736
TEKNA Replacement 900cc Aluminum Cup	702576
Disposable Lid Kit (2)	GFC-404-K2
Paint Filter Kit	KGP-5-K5

SRIPro™ SPOT REPAIR GUN



Includes:

- 1.0mm fluid tip
- TS1 high efficiency & HS1 HVLP air caps
- Starter set of 9 oz. disposable cups: 4 lids and liners
- 1 reusable sleeve and lid
- 1 gun adapter
- 1 measuring guide
- 1 300-micron barrel paint filter
- 1 125-micron disk filter
- 3 oz. plastic cups
- 4 colored identification rings

Waterborne compatible when using a plastic or disposable cup system.



Order No.	Model No.	Fluid Tip (mm)	Cup	Air Cap
803311	SRIPRO-635G-10	1.0mm	3 oz. & 9 oz. Disposable Cups	TS1 HE, HS1 HVLP

SRIPro™ Spot Repair Gun Air Caps

HS1 air cap (HVLP)	Primers, basecoats, clearcoats, single stage, and low VOC Air Cap Order No. 803296 Air Cap Model No. SRIPRO-101-HS1 29 PSI inlet 4.8 CFM	Air Cap Pattern ¼ to 9"
TS1 air cap (HE)	Basecoats, clearcoats, primers, single stage, and low VOC Air Cap Order No. 803297 Air Cap Model No. SRIPRO-100-TS1 29 PSI inlet 3.5 CFM	Air Cap Pattern ¼ to 9"
Fluid tips	0.8mm, 1.0mm , 1.2mm (Included tip size shown in bold)	



Refer to Service Bulletin: SB-2-855

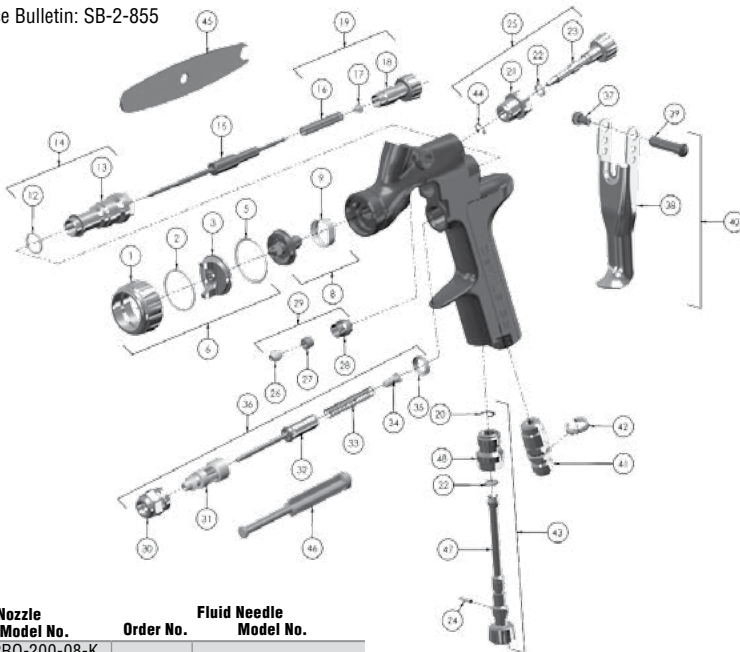


CHART 1

Order No.	Fluid Nozzle Model No.	Order No.	Fluid Needle Model No.
803298*	SRIPRO-200-08-K	803302	SRIPRO-300-0810-K
803299*	SRIPRO-200-10-K		
803300*	SRIPRO-200-12-K	803303	SRIPRO-300-1214-K

*Includes 1 SRIPRO-2 separator

NOTE: When replacing the fluid nozzle or fluid needle, replace both at the same time. Torque to 80–90 in-lbs (9–10 Nm). Don't overtighten the fluid nozzle. Use SRI-50 6mm wrench supplied with the gun and check with a torque wrench.

IMPORTANT NOTE: The SRIPro and older SRI fluid nozzles and air caps **ARE NOT INTERCHANGEABLE** between the 2 models. Any attempt to fit fluid nozzles or caps onto the wrong spray gun may cause damage to the parts or the spray gun body and invalidate the warranty.

The SRIPro Spray Gun Repair Kit (702736) contains all the parts indicated with a •

The SRIPro Seal & Pin Kit (192229) contains all the parts indicated with a †

Ref. No.	Order No.	Model No.	Description	Ind. Parts Req.
1			Air Cap Retaining Ring	1
2			Slip Ring	1
3			Air Cap	1
5		SRI-35-K	Retaining Ring Seal	1
6		See chart above	Air Cap & Ring	1
8		See Chart 1	Fluid Nozzle	1
9	803304	SRIPRO-2-K5	Separator	1
•12			Body Bushing Seal	1
13			Body Bushing	1
14	702728	702728	Body Bushing & Seal	1
15		See Chart 1	Fluid Needle	1
16			Needle Spring	1
•17			Needle Spring Pad	1
18			Fluid Adjusting Knob	1
19	803305	PRO-3-K	Fluid Adjusting Knob, Spring & Pad Kit	1
•†20			Retaining Clip	1
21			Spreader Valve Body	1
•†22			Spreader Valve Seal	2
23			Spreader Valve Adjusting Knob	1
•†24			Valve Pin	1
25	803306	SRIPRO-401-K	Spreader Valve Assembly	1
•26			Needle Packing	1
•27			Packing Spring	1
28			Packing Nut	1
29	702731	702731	Packing, Spring & Packing Nut Kit	1
30			Air Valve Body	1
31			Air Valve Cage	1
32			Air Valve Poppet	1
33			Air Valve Spring	1
34			Air Valve Spring Pad	1
35	803307	SN-34-K5	Air Valve Seal	1
36	702732	702732	Air Valve Assembly	1
•37			Trigger Stud Screw (T20 TORX)	1
38			Trigger	1
•39			Trigger Stud	1
40	803308	SN-42-K	Trigger, Stud & Screw Kit	1
41	803309	SN-40-K	Air Inlet	1
42	702735	702735	Color ID Ring Kit (4 colors)	1
43	803310	PRO-404-K	Airflow Valve	1
44			Circlip	1
45			Wrench	1
46			Air Valve Service Tool (included in 702732)	1
47			Air Flow Valve Knob	1

PLUS® HIGH EFFICIENCY GRAVITY FEED GUN

PLUS®

Includes:

- 1.2mm, 1.3mm, and 1.4mm fluid tips
- 900cc aluminum cup with push-on lid
- HAV-511 high output air adjusting valve with gauge
- Fluid filter, gun hook

Order No.	Model No.	Type	Fluid Tip (mm)	Inlet Pressure	Application
110264	GFG-670	HE	1.2, 1.3	25–35 PSI	Basecoats
				30–40 PSI	High solids clearcoats
			1.4	30–40 PSI	Single stages
				30–40 PSI	Low solids clearcoats
				30–40 PSI	Single stages

PLUS® Gravity Feed High Efficiency Air Cap

#410 air cap	Primers, basecoats, clearcoats, single stage and low VOC	Air Cap Order No. 192174 Air Cap Model No. AV-440-410 30–40 PSI Inlet 9–11 CFM	Air Cap Pattern 12½"
Fluid tips	1.0mm, 1.2mm, 1.3mm, 1.4mm (Included tip sizes shown in bold)		



EPA Compliant.
Approved in most
HVLPA areas.

Refer to Service Bulletin: SB-2-194

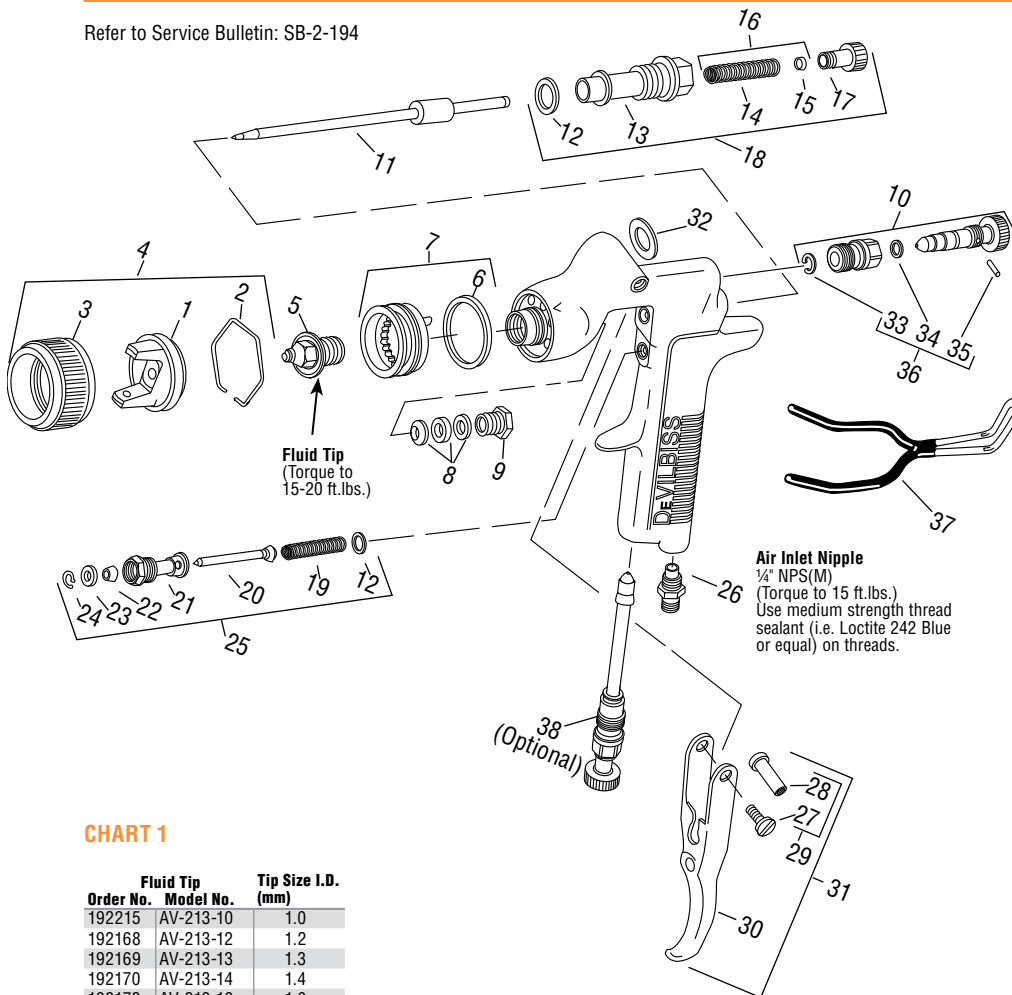


CHART 1

Fluid Tip	Tip Size I.D.	
Order No.	Model No.	(mm)
192215	AV-213-10	1.0
192168	AV-213-12	1.2
192169	AV-213-13	1.3
192170	AV-213-14	1.4
192172	AV-213-16	1.6
192173	AV-213-18	1.8

Ref. No.	Order No.	Model No.	Description	Ind. Parts Req.
1	—	—	#410 Air Cap	1
2	191972	JGA-156-K10	Spring Clip (Kit of 10)	1
3	192042	GTI-3	Air Cap Retaining Ring	1
4	192174	AV-440-410	#410 Air Cap and Retaining Ring	1
5	See Chart 1	See Chart 1	Fluid Tip	1
•6	192179	GTI-33-K5	Baffle Seal (Kit of 5)	1
7	192178	GTI-425	Baffle Assembly	1
•8	192109	JGA-4035-K5	Packing (Kit of 5)	1
9	190893	34411-122-K10	Packing Nut	1
10	192050	GTI-404	Spreader Valve	1
11	192054	GTI-413	Fluid Needle	1
•12	190161	JGS-72-K10	Gasket Kit (PTFE) (Kit of 10)	2
13	—	—	Body Bushing	1
•14	—	—	Fluid Needle Spring	1
•15	—	—	Spring Pad	1
16	190894	MBD-19-K10	Spring and Pad (Kit of 10)	1
17	192043	GTI-414	Needle Adjusting Screw	1
18	192139	KK-5059	Bushing, Spring, Pad and Knob Kit	1
•19	—	—	Air Valve Spring	1
•20	—	—	Air Valve	1
21	—	—	Air Valve Body	1
•22	—	—	U Cup Seal	1
•23	—	—	Washer	1
•24	—	—	Snap Ring	1
25	190780	JGS-449-1	Air Valve Assembly	1
26	190287	P-MB-51	Air Inlet Nipple 1/4" NPS(M)	1
27	—	—	Trigger Stud Screw	1
28	—	—	Trigger Stud	1
29	190889	JGS-478	Stud and Screw Kit	1
30	—	—	Trigger	1
31	191943	JGS-477-1	Trigger Stud, Screw Kit	1
•32	192151	KGP-13-K5	Cup Gasket (Kit of 5)	1
•33	—	—	Retaining Clip	1
•34	—	—	Seal	1
•35	—	—	Pin	1
36	192229	GTI-428-K5	Clip, Seal & Pin Kit (5 Each)	1
37	192219	—	Gun Holder, Coated	1
38	192228	GTI-415	Air Adjusting Valve (Optional)	1

The 192227 Spray Gun Repair Kit contains all the parts indicated with a •

GTi® Millennium HVLP GRAVITY FEED GUN/CUP



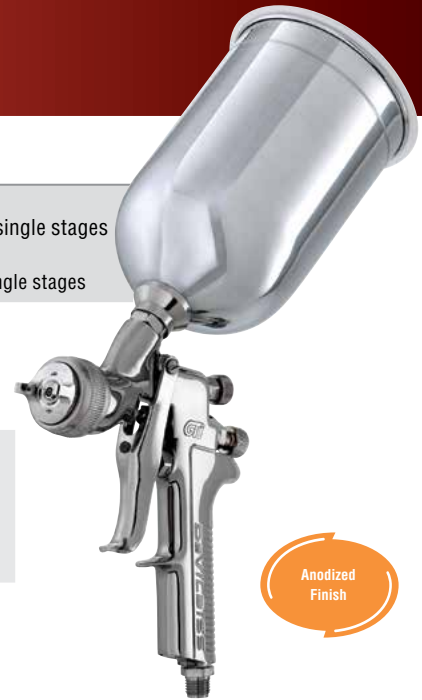
Includes:

- 1.3mm, 1.4mm, and 1.5mm fluid tips
- 900cc aluminum cup with push-on lid
- HAV-511 high output air adjusting valve with gauge
- Fluid filter, gun hook

Order No.	Model No.	Type	Fluid Tip (mm)	Inlet Pressure	Application
170156	GTI-620G	HVLP	1.3, 1.4	20–25 PSI	Basecoats
				25–30 PSI	High solids clearcoats, single stages
			1.5	20–25 PSI	Basecoats
				25–30 PSI	Low solids clearcoats, single stages

GTi® Millennium Gravity Feed HVLP Air Cap

#2000 air cap HVLP	Basecoats, clearcoats, primers, single stage, and low VOC	Air Cap Order No. 192136 Air Cap Model No. GTI-407-2000 20–30 PSI inlet	12.5-16.0 CFM	Air Cap Pattern 12"
Fluid tips	1.2mm, 1.3mm , 1.4mm , 1.5mm , 1.6mm, 1.8mm, 2.0mm, 2.2mm (Included tip sizes shown in bold)			



Refer to Service Bulletin: SB-2-168

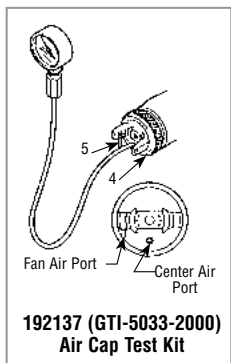
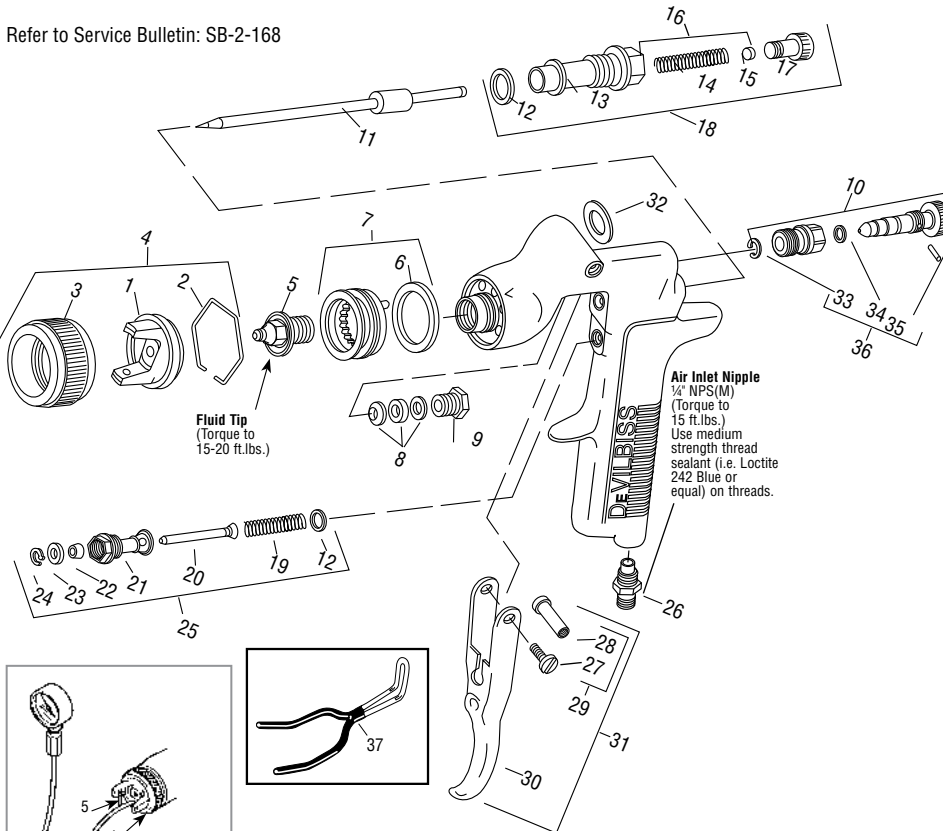


CHART 1

Order No.	Fluid Tip Model No.	Tip Size I.D. (mm)
192124	GTI-213-12	1.2
192134	GTI-213-13	1.3
192044	GTI-213-14	1.4
192135	GTI-213-15	1.5
192045	GTI-213-16	1.6
192046	GTI-213-18	1.8
192047	GTI-213-20	2.0
192132	GTI-213-22	2.2

Ref. No.	Order No.	Model No.	Description	Ind. Parts Req.
1	—	—	Air Cap	1
2	191972	JGA-156-K10	Spring Clip (Kit of 10)	1
3	192042	GTI-3	Air Cap Retaining Ring	1
4	192136	GTI-407-2000	Air Cap (#2000) and Retaining Ring	1
5	See Chart 1	See Chart 1	Fluid Tip	1
•6	192179	GTI-33-K5	Baffle Seal (Kit of 5)	1
7	192178	GTI-425	Baffle Assembly	1
•8	192109	JGA-4035-K5	Packing (Kit of 5)	1
9	190893	34411-122-K10	Packing Nut	1
10	192050	GTI-404	Spreader Valve	1
11	192054	GTI-413	Fluid Needle	1
•12	190161	JGS-72-K10	Gasket Kit (PTFE) (Kit of 10)	2
13	—	—	Body Bushing	1
•14	—	—	Fluid Needle Spring	1
•15	—	—	Spring Pad	1
16	190894	MBD-19-K10	Spring and Pad (Kit of 10)	1
17	192043	GTI-414	Needle Adjusting Screw	1
18	192139	KK-5059	Bushing, Spring, Pad and Knob Kit	1
•19	—	—	Air Valve Spring	1
•20	—	—	Air Valve	1
21	—	—	Air Valve Body	1
•22	—	—	U Cup Seal	1
•23	—	—	Washer	1
•24	—	—	Snap Ring	1
25	190780	JGS-449-1	Air Valve Assembly	1
26	190287	P-MB-51	Air Inlet Nipple 1/4" NPS(M)	1
27	—	—	Trigger Stud Screw	1
28	—	—	Trigger Stud	1
29	190889	JGS-478	Stud and Screw Kit	1
30	—	—	Trigger	1
31	191943	JGS-477-1	Trigger Stud, Screw Kit	1
•32	192151	KGP-13-K5	Cup Gasket (Kit of 5) Blue	1
•33	—	—	Retaining Clip	1
•34	—	—	Seal	1
•35	—	—	Pin	1
36	192229	GTI-428-K5	Clip, Seal & Pin Kit (5 Each)	1
37	192219	—	Gun Holder, Coated	1
38	192140	KK-5060	Air Cap Cleaning Kit	1

• A quantity of necessary parts is included in 192227 Repair Kit (KK-5058-2) for complete gun repair and should be kept on hand for service convenience.

Suffixes: -K5 designates kit of multiple parts. Example: JGA-4035-K5 is a kit of 5 packings.

FLG4 GRAVITY FEED GUNS



HVLP Solvent-based Value Kit Includes:

- 1.3mm, 1.5mm & 1.8mm fluid tips
- 900cc aluminum cup, air adjusting valve with gauge

HVLP Waterborne Value Kit Includes:

- 1.3mm, 1.5mm & 1.8mm fluid tips
- 20 oz. Acetal cup, air adjusting valve with gauge

HVLP Gun Value Kit Includes:

- 1.8mm & 2.2mm fluid tips
- 900cc aluminum cup

Waterborne compatible when using a plastic or disposable cup system.



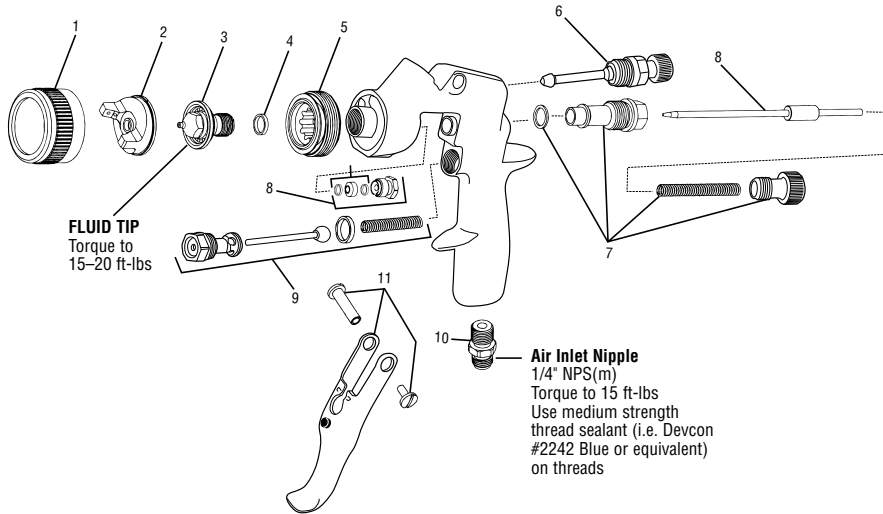
Order No.	Model No.	Fluid Tip	Air Cap	Cup	Application
803558	FLG-670	1.3, 1.5, 1.8	HVLP #3	900cc Aluminum	Top coats, light primers
803559	FLG-671	1.3, 1.5, 1.8	HVLP #3	20 oz. Acetal	Waterborne top coats, light primers, primers
803560	FLG-678	1.8, 2.2	HVLP #3	900cc Aluminum	Primers, liquid masking, chip guards, other specialty materials

FinishLine® Gravity Feed Air Caps

#3 air cap (HVLP)	Primers, basecoats, clearcoats, single stage and low VOC Air Cap Order No. 690001 Air Cap Model No. FLG-1-3 13 CFM @ 23 PSI inlet	Air Cap Pattern 10½"
Fluid Tips	1.3mm, 1.5mm, 1.8mm, 2.2mm	



Refer to Service Bulletin: SB-2-775

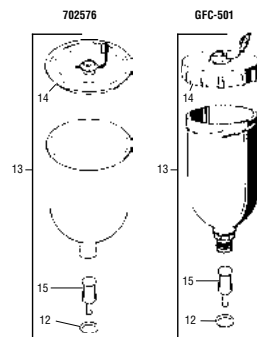
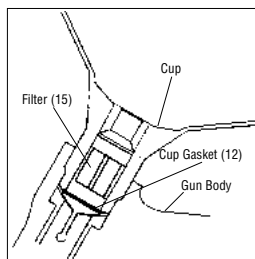


Ref. No.	Order No.	Model No.	Description	Ind. Parts Req.
1	690017	FLG-333	Retaining Ring	1
2	See Air Caps chart, above		Air Cap	1
3	See Chart 1		Fluid Tip & Seal Kit	1
4	690020	FLG-304-K5	Fluid Tip Seal (Kit of 5)	1
5	690021	FLG-305	Baffle	1
6	803528	FLG-465	Spreader Air Adjustment Valve	1
7	803525	FLG4-364-K	Needle Knob, Spring, Bushing & Gasket Kit	1
8	803526	FLG4-366-K	FLG4 Needle, Needle Packing & Nut Kit	1
9	190780	JGS-449-1	Air Valve & Gasket Kit	1
10	190287	P-MB-51	Air Inlet Nipple	1
11	191943	JGS-477-1	Trigger, Trigger Stud & Screw	1
12	192151	KGP-13-K5	Cup Gasket Kit (Kit of 5)	1
13	702576	702576	Metal Gravity Feed Cup	1
	190252	GFC-501	Acetal Gravity Feed Cup	1
14	190944	GFC-404-K2	Disposable Lid Kit (Kit of 2)	1
15	190181	KGP-5-K5	Filter Kit (Kit of 5)	1
	803527	FLG4-488-K	FLG4 Gun Repair Kit (Contains 1 each: Fluid Tip Seal, Needle Packing, Trigger Stud, Trigger Screw, and Gasket for Air Valve & Needle Bushing.)	1
	519210	FLG-463	Air Cap #3 HVLP Test Cap	1

CHART 1

Fluid Tip Order No.	Part No.	Tip Size (mm)	Application
803051	FLG-332-13K	1.3	Stains, lacquers, basecoats, clears
803052	FLG-332-15K	1.5	General purpose, light to medium viscosity materials
803053	FLG-332-18K	1.8	Primers, medium viscosity materials
803054	FLG-332-12K	2.2	Heavy materials

Cup Drawing



StartingLine® HVLP Auto Painting GUN KITS



Specifications

Finish Coat & Primer Gun

30 PSI inlet pressure delivers 10 PSI air cap pressure at 13 CFM air volume

Detail Gun

30 PSI inlet pressure delivers 10 PSI air cap pressure at 8 CFM air volume

All Guns

Air inlet: 1/4" NPS

Order No.	Kit	Guns Included	Fluid Tip (mm)	Cup(s) Included	Accessories Included
802342	2-Gun Painting & Touch Up	Finish Coat Detail	1.3 1.0 1.8	One 600cc (20 oz.) One 250cc (8.5 oz.)	Cleaning brushes, wrench, air adjusting valve with gauge
802343	2-Gun Painting & Priming	Finish Coat Primer	1.3 1.5 1.8	Two 600cc (20 oz.)	Cleaning brushes, wrench, air adjusting valve with gauge
802789	3-Gun Painting	Finish Coat Primer Detail	1.3 1.8 1.0	Two 600cc (20 oz.) One 130cc (4 oz.)	Cleaning brushes, wrench, air adjusting valve with gauge
803485	2-Gun Primer Pack	Primer (2)	1.5 1.8	Three 3 oz. plastic, four 24 oz. liners & lids, one, frame/lid, two plugs	Extra 1.5 tip & needle, (2) DPC-81 adapters, wrench, filter, funnel
802405	Detail Gun only		1.0	One 250cc (8.5 oz.)	None



HVLP Finish Coat Spray Gun



HVLP Primer Spray Gun



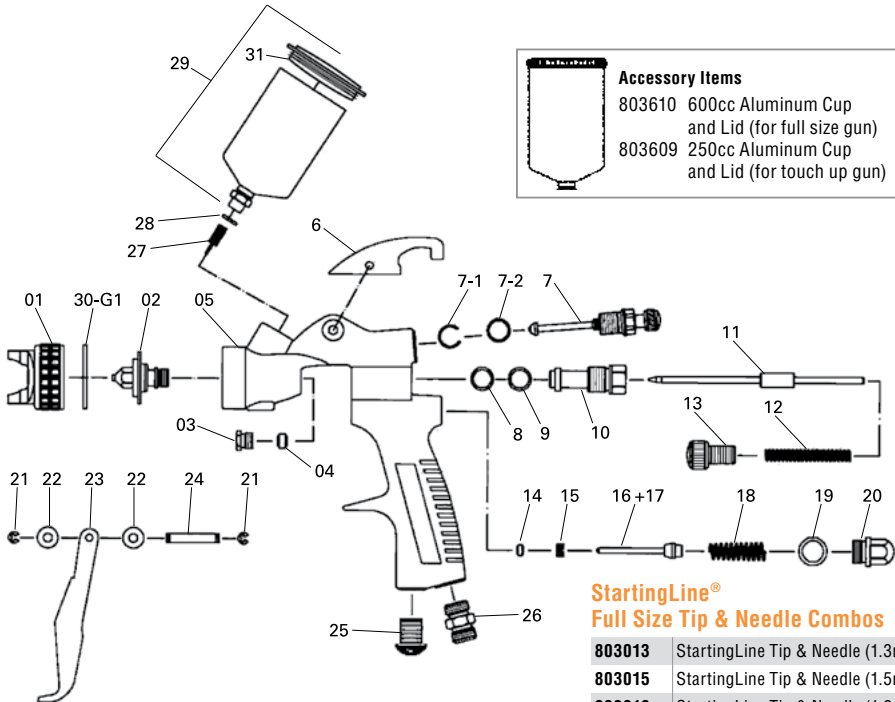
HVLP Detail Spray Gun



2-Gun Primer Pack

Detail gun also sold separately

Refer to Service Bulletins: SB-2-634, SB-2-610 and SI-2-61-10



StartingLine® Full Size Tip & Needle Combos

- 803013 StartingLine Tip & Needle (1.3mm)
- 803015 StartingLine Tip & Needle (1.5mm)
- 803018 StartingLine Tip & Needle (1.8mm)

- Gun Repair Kit Full Size (802425) Touchup (802426)
- ▲ Cup Fitting Gasket Kit Full Size and Touchup (803615)

Ref. No.	Part No.	Description	Ind. Parts Req.
1	—	Air Cap W/Ring	1
2	—	Fluid Nozzle	1
●3	—	Nut	1
●4	—	Gasket	1
5	—	Gun Body	1
6	—	Hook	1
7	—	Fan Control	1
●7-1	—	C-Clip	2
●7-2	—	O-Ring	2
●8	—	Gasket	1
●9	—	O-Ring	1
10	—	Housing	1
11	—	Paint Needle	1
●12	—	Spring	1
13	—	Knob, Fluid Control	1
●14	—	Gasket	1
●15	—	Screw	1
●16+17	—	Valve Stem Complete	1
●18	—	Spring	1
●19	—	O-Ring	1
20	—	Air Valve Nut	1
●21	—	E-Ring	2
22	—	Washer	2
23	—	Trigger	1
●24	—	Trigger Stud	1
25	—	Plug	1
26	—	Air Inlet Fitting	1
27	—	Filter	1
●▲28	—	Gasket for Fitting	2
29	803610	600cc Alum. Cup & Lid	1
	803609	250cc Alum. Cup & Lid	1
●30-G1	—	Gasket for Air Cap	1
31	803591	600cc Push-In Lid	2
	803590	250cc Push-In Lid	2

Gravity Feed Cups

Cups to fit DeVilbiss, Binks, FinishLine, and TEKNA Gravity Spray Guns

Order No.	Model No.	Cup Size	Application
190252	GFC-501	20 oz. Acetal	All full size current DeVilbiss, TEKNA, Binks and FinishLine gravity guns
901430	81-381	8 oz. Aluminum	DeVilbiss SRI, SRIW, SRIPro, and Binks Cub gravity guns
900875	54-4458	4 oz. Aluminum	DeVilbiss SRI, SRIW, SRIPro, and Binks Cub gravity guns
192191	SRI-478-K12	4 oz. Nylon	DeVilbiss SRI, SRIW, SRIPro, and Binks Cub gravity guns
702576	702576	900cc Aluminum	All full-size current DeVilbiss, TEKNA, Binks and FinishLine gravity guns
803510	DPC-503-K24	3 oz. Plastic	Fits on all DPC adapters



StartingLine Gravity Feed Cups

Order No.	Cup Size	Application
803610	600cc Aluminum	StartingLine Finish Coat and Primer gravity guns
803609	250cc Aluminum	StartingLine Detail gravity guns
803591	600cc Aluminum	Push-in lids (2)
803590	250cc Aluminum	Push-in lids (2)



E-Z Liners

Most Economical Disposable Paint Cup System Available

- Saves time with easy clean up and less mess
- Saves money by greatly reducing solvent use for clean up

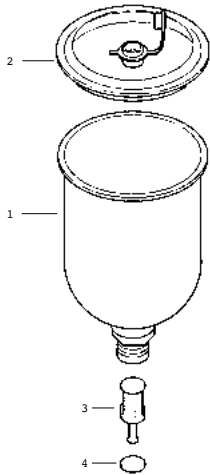
Order No.	Model No.	Description
190966	OMX-70-K48	E-Z Liner Kit (48 liners & bushings)



Gravity Cups PARTS & ASSEMBLY

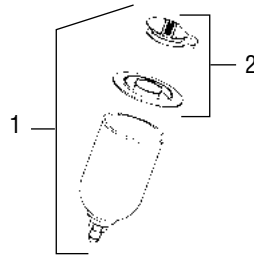
Refer to Service Bulletins: SB-4-261 (GFC-501), TB-1003 (702576)
Refer to Part Sheets: 77-2739 (81-381) and 77-2719 (54-4458)

702576 TEKNA Gravity Feed Cup/Aluminum



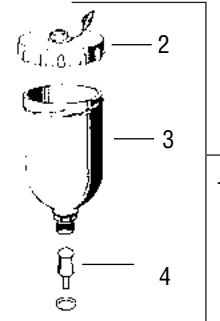
Ref. No.	Replacement Part No.	Description	Ind. Parts Req.
1	702576	Metal Gravity Feed Cup (900cc)	1
2	GFC-404-K2	Disposable Lid Kit (Kit of 2)	1
3	KGP-5-K5	Filter Kit (Kit of 5)	1
4	KGP-13-K5	Cup Gasket (Blue) (Kit of 5)	1

900875 (54-4458) 4 oz. Aluminum Cup



Ref. No.	Order No.	Model No.	Description	Ind. Parts Req.
1	900875	54-4458	Gravity Feed Cup Assembly (4 oz.)	1
2	900902	54-4539	4 oz. Cup Lid Assembly (Kit of 3)	1

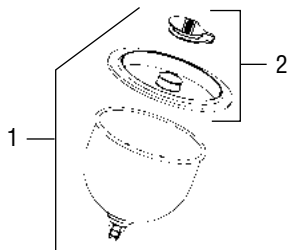
190252 (GFC-501) Gravity Feed Cup/Acetal



Ref. No.	Order No. Model No.	Description	Ind. Parts Req.
1	190252 GFC-501	Cup Assembly, 20 oz. Acetal	1
2	190225 GFC-402	Cup Lid Assembly	1
3	190181 KGP-5-K5	Filter (Kit of 5)	1
4	192151 KGP-13-K5	Cup Gasket (Blue) (Kit of 5)	1

● For GTI, FLG, M1-G, PRI and GFG Plus (Blue)

901430 (81-381) 8 oz. Aluminum Cup



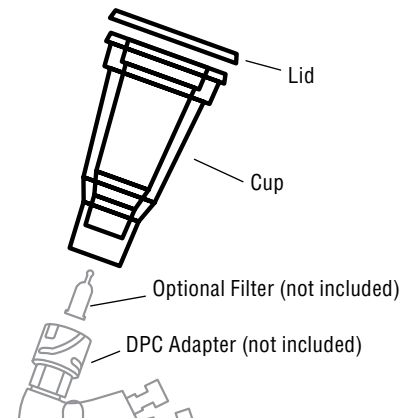
Ref. No.	Order No.	Model No.	Description	Ind. Parts Req.
1	901430	81-381	Gravity Feed Cup Assembly (8 oz.)	1
2	900787	54-4251	Cup Cover Kit (Kit of 3)	1

192191 (SRI-478-K12) 4 oz. Disposable Nylon Cup & Lid Kit

Contains 12 Cups and 12 Lids
(4 ea. Red, Yellow & Green)



803510 (DPC-503-K24) 3 oz. Plastic Cups and Lids Kit of 24



JGA® CONVENTIONAL SUCTION FEED GUN/CUP

- Includes:**
- TGC 1 qt. cup

Proven Technology and Durability

Order No.	Model No.	Type	Fluid Tip (mm)	Inlet Pressure	Application
110225	JGA-644	CNV.	1.6	35-50 PSI	Base, clear, low VOC, single stages, Urethanes
110102	JGA-636	CNV.	1.8	25-45 PSI	Synthetic and acrylic enamels. May need to restrict fluid flow with needle adjustment for base and clearcoats.

CNV. = CONVENTIONAL

JGA® Conventional Suction Feed Air Caps

#9000 air cap	Basecoats, clearcoats, single stages	Air Cap Order No. 199000	Air Cap Pattern 10"
	Air Cap Model No. AV-440-9000	35-50 PSI inlet	
	Fluid tips	1.6mm, 1.8mm	
#80 air cap	Synthetic and acrylic enamels	Air Cap Order No. 190230	Air Cap Pattern 12"
	Air Cap Model No. MB-4039-80	25-45 PSI inlet	
	Fluid tips	10-14 CFM	
		1.8mm	



Refer to Technical Bulletin: SB-2-259

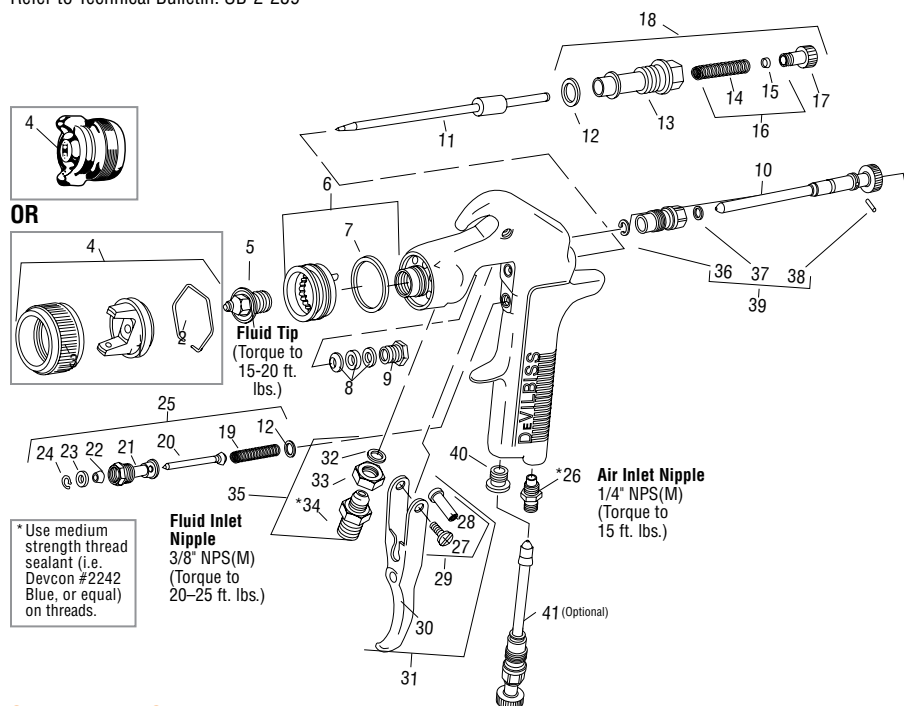


CHART 1 – Air Caps, Fluid Tips, Fluid Needles & Applications

No. on Air Cap Order No. →	Air Cap With Ring (Ref. No. 4)	Type of Fluid Delivery	Fluid Needle (Ref. No. 11)	Fluid Tips Used (Ref. No. 5)
80	190230 MB-4039-80	Suction	192054 GTI-413	AV-213-16 OR AV-213-18
9000	199000 AV-440-9000	Suction OR Pressure	192054 GTI-413	AV-213-16 OR AV-213-18

CHART 2 – Fluid Tips

Fluid Tip Order No.	Model No.	Tip Size I.D. (mm)	Type of Fluid Delivery
192172	AV-213-16	1.6	Suction Feed
192173	AV-213-18	1.8	Suction Feed

Ref. No.	Order No.	Model No.	Description	Ind. Parts Req.
1	—	—	Air Cap	1
2	191972	JGA-156-K10	Spring Clip (Kit of 10)	1
3	192042	GTI-3	Air Cap Retaining Ring	1
4	—	See Chart 1	Air Cap & Retaining Ring	1
5	—	See Charts 1 & 2	Fluid Tip	1
6	192178	GTI-425	Baffle Assembly	1
7	192179	GTI-33-K5	Baffle Seal (Kit of 5)	1
8	192109	JGA-4035-K5	Packing (Kit of 5)	1
9	190893	34411-122-K10	Packing Nut (Kit of 10)	1
10	192051	GTI-405	Spreader Valve Assembly	1
11	—	See Chart 1	Fluid Needle	1
12	190161	JGS-72-K10	Gasket (PTFE) (Kit of 10)	2
13	—	—	Body Bushing	1
14	—	—	Fluid Needle Spring	1
15	—	—	Spring Pad	1
16	190894	MBD-19-K10	Spring & Pad (Kit of 10)	1
17	192043	GTI-414	Needle Adjusting Screw	1
18	192139	KK-5059	Bushing, Spring, Pad & Knob Kit	1
19	—	—	Air Valve Spring	1
20	—	—	Air Valve	1
21	—	—	Air Valve Body	1
22	—	—	U Cup Seal	1
23	—	—	Washer	1
24	—	—	Snap Ring	1
25	190780	JGS-449-1	Air Valve Assembly	1
26	190287	P-MB-51	Air Inlet Nipple 1/4" NPS(M)	1
27	—	—	Trigger Stud Screw	1
28	—	—	Trigger Stud	1
29	190889	JGS-478	Stud & Screw Kit (includes 3 Studs & 5 Screws)	1
30	—	—	Trigger	1
31	191943	JGS-477-1	Trigger, Stud & Screw Kit	1
32	—	—	Fluid Inlet Gasket (PTFE)	1
33	—	—	Locknut	1
34	—	—	Fluid Inlet Adapter	1
35	190888	JGA-4042	Fluid Inlet, Gasket & Nut Kit	1
36	—	—	Retaining Clip	1
37	—	—	Seal	1
38	—	—	Pin	1
39	192229	GTI-428-K5	Clip, Seal & Pin Kit (5 Each)	1
40	190828	JGA-132	Plug	1
41	192228	GTI-415	Air Adjusting Valve (Optional)	1

* A quantity of necessary parts is included in 192227 Repair Kit (KK-5058-2) for complete gun repair and should be kept on hand for service convenience.

Suffixes: -K5 designates kit of multiple parts. Example: JGA-4035-K5 is a kit of 5 packings.

PLUS®
HIGH EFFICIENCY SUCTION FEED GUN/CUP



Includes:

- 1.6mm & 1.8mm fluid tips
- TGC 1 qt. cup
- High output air adjusting valve with gauge

Order No.	Model No.	Type	Fluid Tip (mm)	Inlet Pressure	Application
110265	JGA-670	HE	1.6	30-40 PSI	Basecoats
			1.6	35-45 PSI	High and low solids clearcoats
			1.6	35-45 PSI	Single stages
			1.8	30-40 PSI	Synthetic and acrylic enamels

PLUS® Suction Feed High Efficiency Air Cap

#410 air cap	Primers, basecoats, clearcoats, single stage, and low VOC	Air Cap Order No. 192174	Air Cap Pattern 12"
		Air Cap Model No. AV-440-410	
		30-40 PSI 9-11 CFM	
Fluid Tips	1.0mm, 1.2mm, 1.3mm, 1.4mm, 1.6mm, 1.8mm (Included tip sizes shown in bold)		



Refer to Service Bulletins: SB-2-475 (JGA-670)

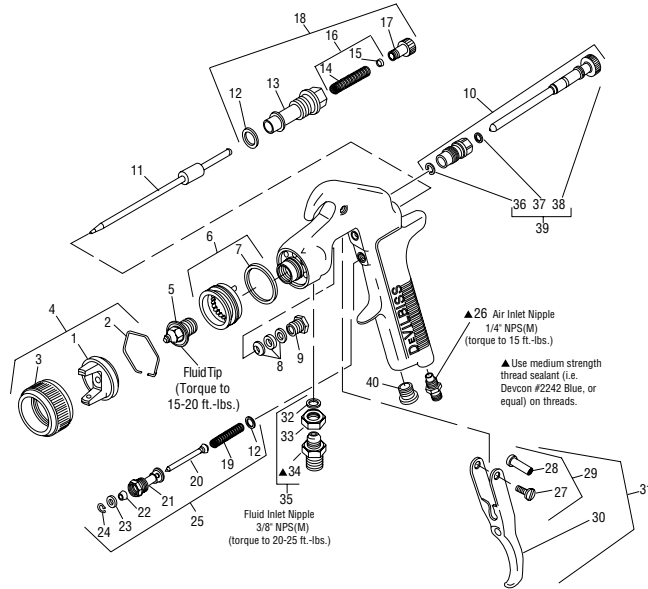


CHART 1
Fluid Tips

Fluid Tip No.	Tip Size I.D. (mm)
AV-213-14	1.4
AV-213-16	1.6
AV-213-18	1.8

Ref. No.	Description	Part No.	Ind. Parts Req.	Ref. No.	Description	Part No.	Ind. Parts Req.
1	Air Cap	—	1	*32	Fluid Inlet Gasket (PTFE)	—	1
2	Spring Clip (Kit of 10)	JGA-156-K10	1	33	Locknut	—	1
3	Air Cap Retaining Ring	GTI-3	1	34	Fluid Inlet Adapter	—	1
4	#2000 Air Cap & Retaining Ring (GTI-620S)	GTI-407-2000	1	35	Fluid Inlet, Gasket, Nut Kit	JGA-4042	1
5	Fluid Tip	See Chart 1	1	*36	Retaining Clip	—	1
6	Baffle Assembly	GTI-425	1	*37	Seal	—	1
*7	Baffle Seal (Kit of 5)	GTI-33-K5	1	*38	Pin	—	1
*8	Packing (Kit of 5)	JGA-4035-K5	1	39	Clip, Seal & Pin Kit (5 each)	GTI-428-K5	1
9	Packing Nut (Kit of 10)	34411-122-K10	1	40	Plug for JGA-670 ONLY	—	1
10	Spreader Valve Gasket	GTI-405	1				
11	Fluid Needle for GTI-620S	GTI-413	1				
11	Fluid Needle for JGA-670	GTI-413	1				
*12	Gasket Kit (PTFE) (Kit of 10)	JGS-72-K10	2				
13	Body Bushing	—	1				
*14	Fluid Needle Spring	—	1				
*15	Spring Pad	—	1				
16	Spring and Pad	MBD-19-K1	1				
17	Needle Adjusting Screw (Kit of 10)	GTI-414	1				
18	Bushing, Spring, Pad and Knob Kit	KK-5059	1				
*19	Air Valve Spring	—	1				
*20	Air Valve	—	1				
21	Air Valve Body	—	1				
*22	U-Cup Seal	—	1				
*23	Washer	—	1				
*24	Snap Ring	—	1				
25	Air Valve Assembly	JGS-449-1	1				
26	Air Inlet Nipple 1/4" NPS(M)	P-MB-51	1				
27	Trigger Stud Screw	—	1				
28	Trigger Stud	—	1				
29	Stud and Screw Kit	JGS-478	1				
30	Trigger	—	1				
31	Trigger Stud, Screw Kit	JGS-477-1	1				

• A quantity of necessary parts is included in Repair Kit KK-5058-2 for complete gun repair and should be kept on hand for service convenience.

Suffixes: -K5 designates kit of multiple parts. Example: JGA-4035-K5 is a kit of 5 packings.

GTI® Millenium HVLP SUCTION FEED GUN/CUP




Includes:

- 1.6mm & 1.8mm fluid tips
- TGC 1 qt. cup
- High output air adjusting valve with gauge

Order No.	Model No.	Type	Fluid Tip (mm)	Inlet Pressure	Application
170161	GTI-620S	HVLP	2.0 2.2	20-25 PSI 25-30 PSI	Basecoats Low and high solids, clearcoats and single stages

GTi® Millennium Suction Feed HVLP Air Cap

#2000 air cap (HVLP)	Basecoats, clearcoats, primers, single stage, and low VOC Air Cap Order No. 192136 Air Cap Model No. GTI-407-2000 4-10 PSI (air cap) 12.5-16.0 CFM @ 30 PSI inlet	Air Cap Pattern  11"
Fluid Tips	1.0mm, 1.2mm, 1.3mm, 1.4mm, 1.5mm, 1.6mm, 1.8mm, 2.0mm, 2.2mm (Included tip sizes shown in bold)	



Refer to Service Bulletins: SB-2-473 (GTI-620S)

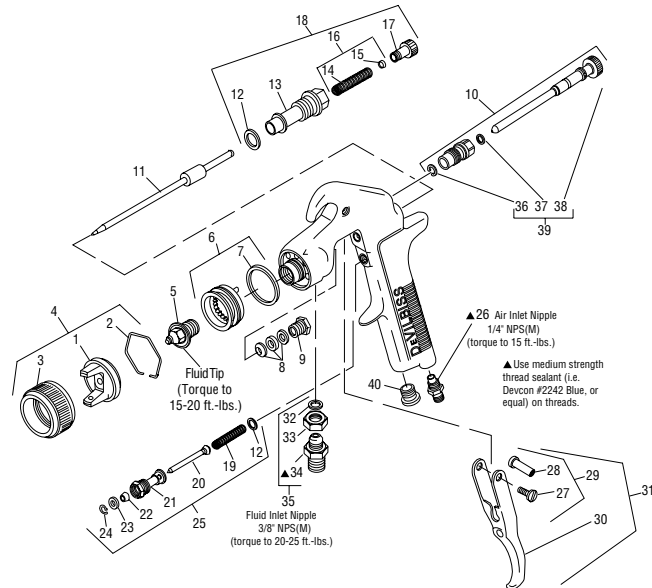


CHART 1 Fluid Tips

Fluid Tip No.	Tip Size I.D. (mm)
GTI-213-18	1.8
GTI-213-20	2.0
GTI-213-22	2.2

Ref. No.	Description	Part No.	Ind. Parts Req.	Ref. No.	Description	Part No.	Ind. Parts Req.
1	Air Cap	—	1	*32	Fluid Inlet Gasket (PTFE)	—	1
2	Spring Clip (Kit of 10)	JGA-156-K10	1	33	Locknut	—	1
3	Air Cap Retaining Ring	GTI-3	1	34	Fluid Inlet Adapter	—	1
4	#2000 Air Cap & Retaining Ring (GTI-620S)	GTI-407-2000	1	35	Fluid Inlet, Gasket, Nut Kit	JGA-4042	1
5	Fluid Tip	See Chart 1	1	*36	Retaining Clip	—	1
6	Baffle Assembly	GTI-425	1	*37	Seal	—	1
*7	Baffle Seal (Kit of 5)	GTI-33-K5	1	*38	Pin	—	1
*8	Packing (Kit of 5)	JGA-4035-K5	1	39	Clip, Seal & Pin Kit (5 each)	GTI-428-K5	1
9	Packing Nut (Kit of 10)	34411-122-K10	1	40	Plug for JGA-670 ONLY	—	1
10	Spreader Valve Gasket	GTI-405	1				
11	Fluid Needle for GTI-620S	GTI-413	1				
11	Fluid Needle for JGA-670	GTI-413	1				
*12	Gasket Kit (PTFE) (Kit of 10)	JGS-72-K10	2				
13	Body Bushing	—	1				
*14	Fluid Needle Spring	—	1				
*15	Spring Pad	—	1				
16	Spring and Pad	MBD-19-K1	1				
17	Needle Adjusting Screw (Kit of 10)	GTI-414	1				
18	Bushing, Spring, Pad and Knob Kit	KK-5059	1				
*19	Air Valve Spring	—	1				
*20	Air Valve	—	1				
21	Air Valve Body	—	1				
*22	U-Cup Seal	—	1				
*23	Washer	—	1				
*24	Snap Ring	—	1				
25	Air Valve Assembly	JGS-449-1	1				
26	Air Inlet Nipple 1/4\" NPS(M)	P-MB-51	1				
27	Trigger Stud Screw	—	1				
28	Trigger Stud	—	1				
29	Stud and Screw Kit	JGS-478	1				
30	Trigger	—	1				
31	Trigger Stud, Screw Kit	JGS-477-1	1				

• A quantity of necessary parts is included in Repair Kit KK-5058-2 for complete gun repair and should be kept on hand for service convenience.
Suffixes: -K5 designates kit of multiple parts. Example: JGA-4035-K5 is a kit of 5 packings.

Suction Feed Cups

DeVilbiss Suction Feed Cups

Order No.	Model No.	Cup Size	Application
120011	TGC-545	1 qt. Aluminum	All full size current Binks, DeVilbiss and FinishLine suction guns
120038	TGS-503	8 oz. Polyethylene	DeVilbiss EGA & EGHV Suction touch-up gun

Durable Detail Suction Cup



TGS-503

Patented "Drip Free Design"

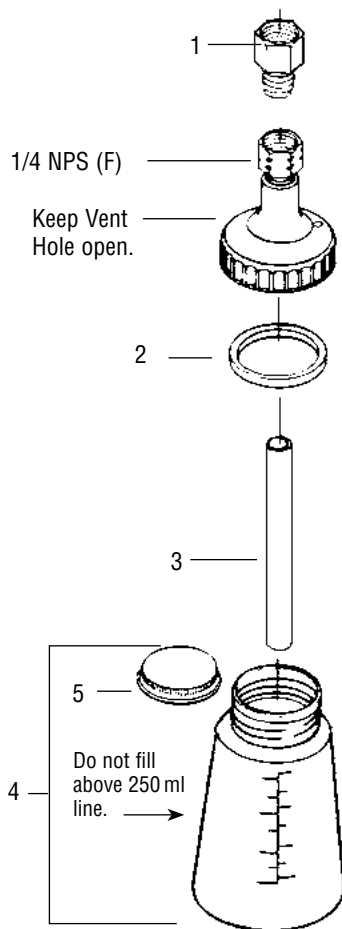
One Quart Plus Capacity (37 oz.)



TGS-545

Refer to Service Bulletins: SB-4-391 (TGC-545) and SB-4-090 (TGS-503)

120038 (TGS-503)

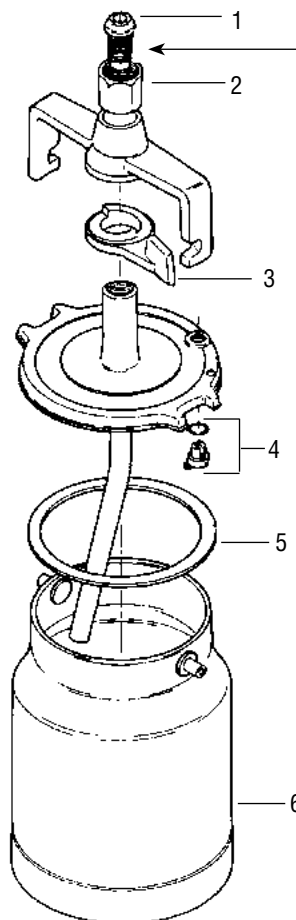


TGS-503 Suction Cup Parts

Ref. No.	Order No. Model No.	Description	Ind. Parts Req.
1	240003 AD-404	Adapter – Accessory 1/4" NPS(M) x 3/8" NPS(F)	1
2	190512 TGS-4-K5	Gasket (Kit of 5)	1
3		Fluid Tube 4"	1
+4	120037 TGS-406	Cup and Cover Assembly (Polyethylene)	1
5		Cup Lid	1
6		Suction Cup Assembly (Quart)	1

+ One C-422 (6) cup lid is included.

120011 (TGC-545)



TGC-545 Suction Cup Parts

Ref. No.	Order No. Model No.	Description	Ind. Parts Req.
1		Adapter, 1/2" NPS (M)	1
2		Nut, 3/8" NPS (F)	1
3		Cam	1
4	190924 TGC-407-1-K3	Drip Free Valve & Gasket (Kit of 3)	1
5	190391 TGC-9-K5	*Tri Seal® Lid Gasket (Kit of 5)	1
6		Suction Cup Assembly (Quart)	1

● 190925 (KK-5007) Repair Kit includes items 1–5. Repair kit contains enough parts to repair one complete assembly (see parts list below).

Suffixes: Suffix -K3 designates a kit of multiple parts. Example: TGC-407-1-K3 is a kit of 3 drip free valves.

* Registered Trademark of Tri-Seal International

● Repair Kit 190925 (KK-5007)

Ref. No.	Description	Qty.
1	Adapter, 1/2" NPS (M)	1
2	Nut, 3/8" NPS (F)	1
3	Cam	1
4	Drip Free Valve & Gasket	1
5	*Tri-Seal® Lid Gasket	1

TEKNA® ProLite

HIGH EFFICIENCY/HVLP PRESSURE FEED GUN



Includes:

- Multiple air caps and fluid tips
- HAV-512 analog gauge
- Gun wrench and color ID rings
- Lightweight ergonomic design



Waterborne compatible when using a plastic or disposable cup system.

Order No.	Fluid Tips	Air Cap
703663	1.0, 1.2, 1.4mm	TE40 & HV40

TEKNA® ProLite Pressure Feed Air Caps

Air Cap (HE)	Low to medium solids coatings	Air Cap Pattern
TE20	Low to medium solids coatings Air Cap Order No. 703539 Air Cap Model No. PRO-103-TE20 12–19 CFM @ 26–50 PSI inlet	13-14"
TE40	Low to high solids coatings Air Cap Order No. 703626 Air Cap Model No. PRO-103-TE40 13–19 CFM @ 29–50 PSI inlet	12-13"
HV40	Low to high solids coatings Air Cap Order No. 703621 Air Cap Model No. PRO-103-HV40 10.5 CFM @ 17 PSI inlet	12-13"
Fluid Tips	1.0mm, 1.2mm, 1.4mm	



Refer to Technical Bulletin: TB-1014

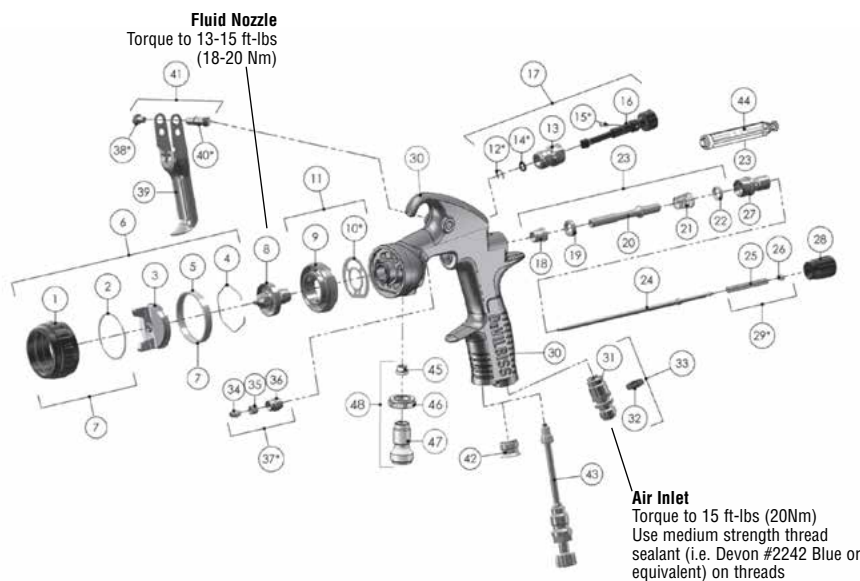


CHART 1
Air Cap Replacement Parts

Air Cap Order No.	Application	Air Cap No.	Recommended Inlet Pressure BAR/PSI	Air Flow LPM/SCFM
703539	Low to medium solids coatings	TE20	1.8–3.4 bar 26–50 psi	340–538 LPM 12–19 CFM
703626	Low to high solids coatings	TE40	2.0–3.4 bar 29–50 psi	368–538 LPM 13–19 CFM
703621	Low to medium solids coatings	HV40	1.2 bar 17 psi	297 LPM 10.5 CFM

CHART 2
Fluid Nozzles

Fluid Nozzle Order No.	No. on Fluid Nozzle
703627	PRO-205-10

SERVICE PARTS

Spray Gun repair kit (includes items marked *)	703536
Seal and Pin Kit, kit of 5 (items 12, 14 and 15)	192229

Ref #	Description	Part #	Qty
1	Air Cap Retaining Ring		1
2	Slip Ring		1
3	Air Cap		1
4	Air Cap Retaining Clip	191972	1
5	Retaining Ring Seal		1
6	Aircap & Ring	Chart 1	1
7	Air Cap Retaining Ring & Seals	702725	1
8	Fluid Nozzle	Chart 2	1
9	Spray head		1
*10	Spray head Seal	702726	1
11	Spray head kit	703529	1
*12	Circlip		1
13	Valve Body		1
*14	O Ring		1
*15	Spreader Valve Pin		1
16	Spreader Valve Adjusting Knob		1
17	Spreader Valve Assembly	703630	1
18	Front Valve Seal		1
19	Valve Seat		1
20	Spindle		1
21	Air Valve Spring		1
22	Rear Valve Seal		1
23	Air Valve Kit	703530	1
24	Fluid Needle	Chart 2	1
25	Needle Spring		1
26	Spring Pad		1
27	Housing & Seal Kit	703532	1
28	Fluid Adjusting Knob	703533	1
*29	Needle Spring Kit	703534	1
30	Gunbody		1
31	Air Inlet		1
32	Colour ID Ring Kit (4 Colours)	702735	1
33	Air Inlet Kit	702734	1
34	Needle Packing		1
35	Packing Spring		1
36	Packing Nut		1
*37	Packing, Spring and Packing Nut Kit	702731	1
*38	Trigger Screw		1
39	Trigger		1
*40	Trigger Stud		1
41	Trigger Stud & Screw Kit	703535	1
42	Plug		1
43	Cheater Valve (optional)	702737	1
44	Air Valve Service Tool (only included in the Air Valve Kit 23)		1
45	Seal		1
46	Lock Nut		1
47	Fluid Inlet		1
48	Fluid Inlet Kit	703631	1

FinishLine® Pressure Feed



Includes:

- 1.3mm fluid tip
- Air adjusting valve with gauge
- High grade 303 stainless steel components
- Easy to clean anodized finish

Waterborne compatible when using a plastic or disposable cup system.



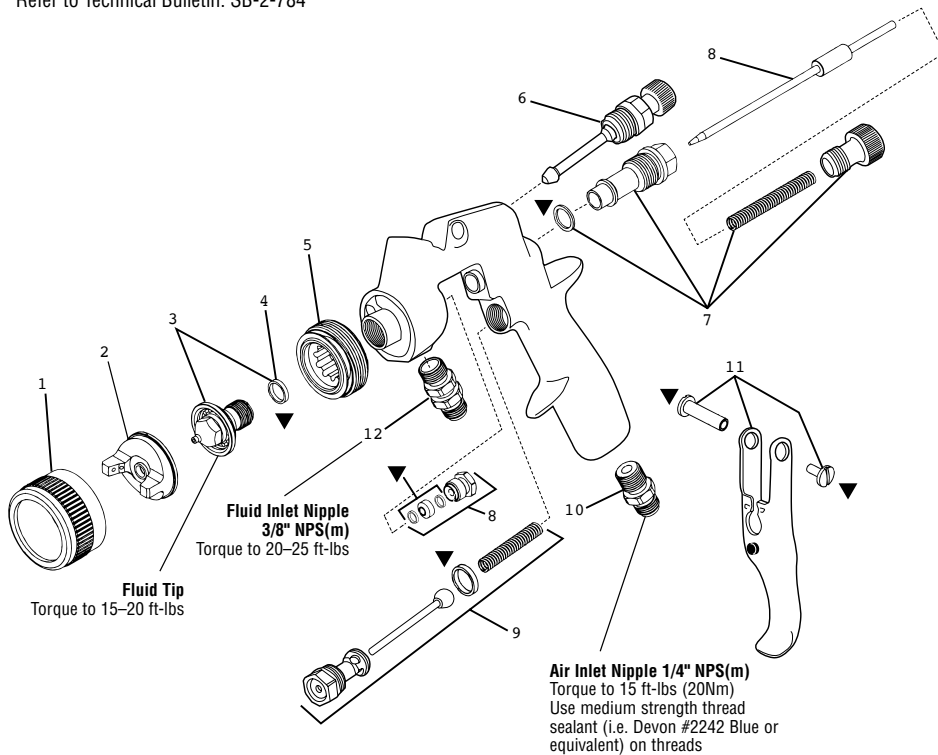
Order No.	Model No.	Description
803692	FLG-574-13	FLG4 Pressure Feed Spray Gun (1.3mm)
803736	FLG-675	FLG4 Pressure Feed Spray Gun and Pressure Cup Kit. Includes: FLG-574-13 Pressure Feed Gun with HAV-512 Analog Gauge, KB-555 Pressure Cup with five (5) E-Z Liners, KB-4006 Hose Assembly, 1.8mm fluid tip

FinishLine® Pressure Feed Air Caps

#4 air cap (HVLP)	General purpose, light to medium viscosity material, latex or heavy bodied materials Air Cap Order No. 803693 Air Cap Model No. FLG-1-4 17-26 PSI inlet 12-15 CFM	Air Cap Pattern 12½"
Fluid Tips	1.3mm, 1.5mm, 1.8mm, 2.2mm (included tip sizes shown in bold)	



Refer to Technical Bulletin: SB-2-784



Ref #	Description	Part #	Qty
1	Retaining Ring	803055	1
2	Air Cap	803693	1
3	Fluid Tip & Seal Kit	Chart 1	1
4	Fluid Tip Seal (Kit of 5)	690020	1
5	Baffle	690021	1
6	Spreader Air Adjustment Valve	803528	1
7	Needle Knob, Spring, Bushing & Gasket Kit	803525	1
8	FLG4 Needle, Needle Packing & Nut Kit	803526	1
9	Air Valve & Gasket Kit	190780	1
10	Air Inlet Nipple	190287	1
11	Trigger, Trigger Stud & Screw	191943	1
12	Fluid Inlet & Nut Kit	191942	1

FLG-488-K ▼ FLG4 Gun Repair Kit (Contains 1 each: Fluid Tip Seal, Needle Packing, Trigger Stud, Trigger Screw, and Gasket for Air Valve & Needle Bushing.)

CHART 1 Fluid Tips

Fluid Tip Part No.	Order No.	Fluid Tip Size (mm)	Applications
FLG-332-13K	803051	1.3	General purpose, light to medium viscosity material.
FLG-332-13K	803052	1.5	
FLG-332-18K	803053	1.8	Latex or heavy bodied materials.
FLG-332-22K	803054	2.2	

GTi® Millennium HVLV PRESSURE FEED GUN



HVLV Technology with Large Spray Pattern

- Smooth material and air flow
- Easy to clean
- Produce a high gloss finish and minimize orange peel
- Excellent fluid control for applying more film build with fewer passes

Order No.	Model No.	Fluid Tip (mm)	Inlet Pressure	Application	Fluid Flow
170165	GTI-546P-14	1.4	50 PSI	High solids	9–12 oz./min.

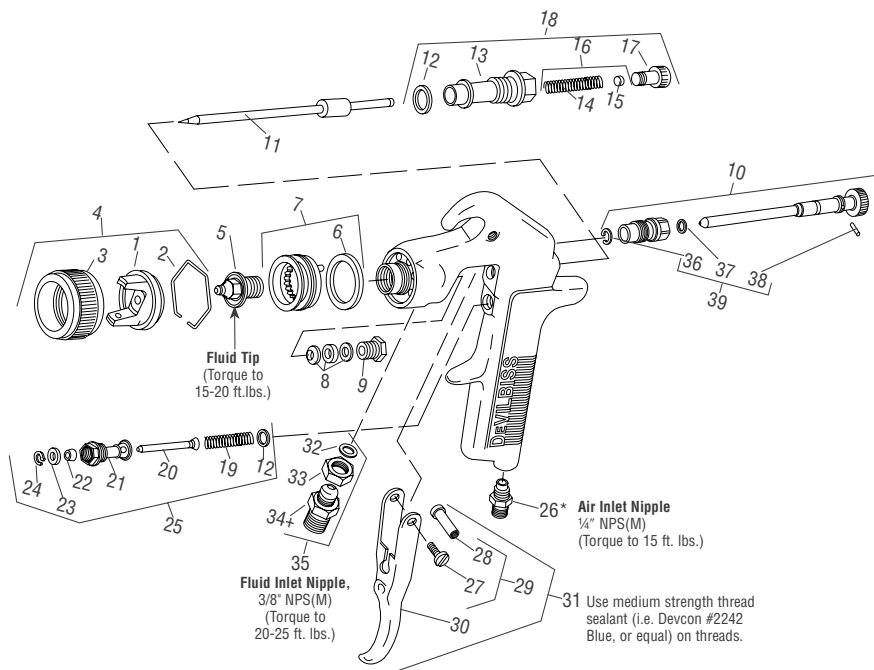
GTi® Millennium Pressure Feed HVLV Air Caps

#2000 air cap (HVLV)	Primers, basecoats, clearcoats, and low VOC Air Cap Order No. 192136 Air Cap Model No. GTI-407-2000 20–30 PSI inlet 12.5–16.0 CFM	Air Cap Pattern 11"
#46MP air cap (HVLV)	Primers, basecoats, clearcoats, single stages and low VOC Air Cap Order No. 192184 Air Cap Model No. GTI-407-46MP 50 PSI inlet 22.5 CFM	Air Cap Pattern 12"
Fluid tips	1.1mm, 1.4mm	



Anodized Finish

Refer to Service Bulletin: SB-2-199



Ref. No.	Order No.	Model No.	Description	Ind. Parts Req.
1	—	—	Air Cap	1
2	191972	JGA-156-K10	Spring Clip (Kit of 10)	1
3	192042	GTI-3	Air Cap Retaining Ring	1
4	See Chart 1	—	Air Cap and Retaining Ring	1
5	See Chart 2	—	Fluid Tip	1
●6	192179	GTI-33-K5	Baffle Seal (Kit of 5)	1
7	See Chart 1	—	Baffle Assembly	1
●8	192109	JGA-4035-K5	Packing (Kit of 5)	1
9	190893	34411-122-K10	Packing Nut	1
10	192051	GTI-405	Spreader Valve	1
11	See Chart 2	—	Fluid Needle	1
●12	190161	JGS-72-K10	Gasket Kit (PTFE) (Kit of 10)	2
13	—	—	Body Bushing	1
●14	—	—	Fluid Needle Spring	1
●15	—	—	Spring Pad	1
16	190894	MBD-19-K10	Spring and Pad (Kit of 10)	1
17	192043	GTI-414	Needle Adjusting Screw	1
18	192139	KK-5059	Bushing, Spring, Pad & Knob Kit	1
●19	—	—	Air Valve Spring	1
●20	—	—	Air Valve	1
21	—	—	Air Valve Body	1
●22	—	—	U Cup Seal	1
●23	—	—	Washer	1
●24	—	—	Snap Ring	1
25	190780	JGS-449-1	Air Valve Assembly	1
+26	190287	P-MB-51	Air Inlet Nipple 1/4" NPS(M)	1
27	—	—	Trigger Stud Screw	1
28	—	—	Trigger Stud	1
29	190889	JGS-478	Stud and Screw Kit	1
30	—	—	Trigger	1
31	191943	JGS-477-1	Trigger Stud, Screw Kit	1
●32	—	—	Fluid Inlet Gasket (PTFE)	1
33	—	—	Locknut	1
+34	—	—	Fluid Inlet Adapter	1
35	190888	JGA-4042	Fluid Inlet, Gasket, Nut Kit	1
●36	—	—	Retaining Clip	1
●37	—	—	Seal	1
●38	—	—	Pin	1
39	192229	GTI-428-K5	Clip, Seal & Pin (Kit of 5 Each)	1

CHART 1: Air Cap and Baffle Combinations

Air Cap Part No.	Baffle	Set		CFM@ Cap Pressure				
		Ref. No. 4 Air Cap	Ref. No. 7 Baffle Assy.	2 PSI	4 PSI	6 PSI	8 PSI	10 PSI
2000	(Not Stamped)	GTI-407-2000	GTI-425	7.3	10.4	12.8	14.7	16.5
46MP	46	GTI-407-46MP	*JGPV-401-46-50	8.5	13.0	16.5	19.8	22.5

NOTE: Baffle Seal NOT used with GTI-546P gun (46MP air cap).

CHART 2: Fluid Tip and Needle

If this no. is on needle, order →	If this no. is on tip, order →	Order Matched Fluid Tip and Needle Assembly	Tip Size I.D. (mm)
JGA-402-FF	AV-2120-FF	JGA-4045-FF	1.4
JGA-402-FX	AV-2120-FX	JGA-4045-FX	1.1

● 192227 (KK-5058-2) Gun Repair Kit includes a quantity of necessary parts.

Suffixes: -K5 designates kit of multiple parts. Example: JGA-4035-K5 is a kit of 5 packings.

PLUS®
HIGH EFFICIENCY PRESSURE FEED GUN



Anodized Finish

Order No.	Model No.	Air Cap	Fluid Tip (mm)	Inlet Pressure	Application	Fluid Flow
110272	PLUS-514P-12	#414 (HE)	1.2	60-65 PSI	High solids	7-14 oz./min.

PLUS® Pressure Feed High Efficiency Air Caps

#414 air cap (HE)	High solids		Air Cap Pattern 11-14"
	Air Cap Order No.	192312	
	Air Cap Model No.	AV-440-414	
	60-65 PSI inlet	19-22 CFM	
	Fluid tip 1.2mm		
Fluid Tips	1.0mm, 1.2mm, 1.3mm, 1.4mm		

Refer to Service Bulletin: SB-2-475

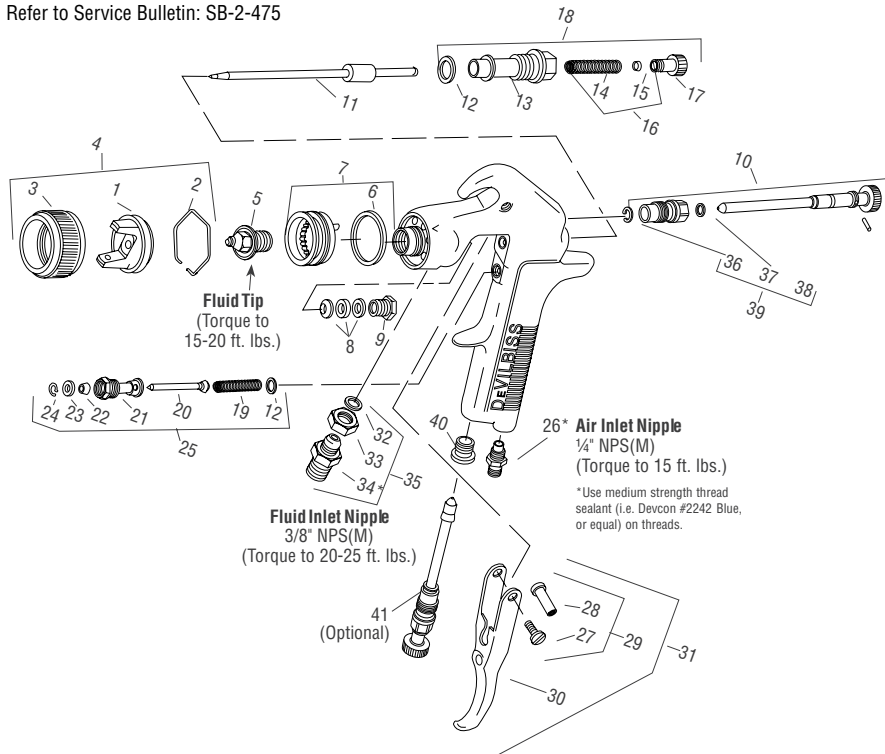


CHART 1: Air Cap

No. on Air Cap	Air Cap Order No.	Air Cap Model No.
410	192174	AV-440-410
414	192312	AV-440-414

CHART 2: Fluid Tips and Needles

Tip Size (mm)	Fluid Tip (Ref. No. 5)	Suction Feed Fluid Needle (Ref. No. 11)	Pressure Feed Fluid Needle (Ref. No. 11)
1.0	AV-213-10	NR	GTI-449-12
1.2	AV-213-12	NR	GTI-449-12
1.4	AV-213-14	GTI-413	GTI-449-12
1.6	AV-213-16	GTI-413	NR
1.8	AV-213-18	GTI-413	NR

NR = Not Recommended

●192227 (KK-5058-2) Gun Repair Kit includes a quantity of necessary parts.

Ref. No.	Order No.	Model No.	Description	Ind. Parts Req.
1	—	—	Air Cap	1
2	191972	JGA-156-K10	Spring Clip (Kit of 10)	1
3	192042	GTI-3	Air Cap Retaining Ring	1
4	—	See Chart 1	Air Cap and Retaining Ring	1
5	—	See Chart 2	Fluid Tip	1
●6	192179	GTI-33-K5	Baffle Seal (Kit of 5)	1
7	192178	GTI-425	Baffle Assembly	1
●8	192109	JGA-4035-K5	Packing (Kit of 5)	1
9	190893	34411-122-K10	Packing Nut	1
10	192051	GTI-405	Spreader Valve	1
11	—	See Chart 2	Fluid Needle	1
●12	190161	JGS-72-K10	Gasket Kit (PTFE) (Kit of 10)	2
13	—	—	Body Bushing	1
●14	—	—	Fluid Needle Spring	1
●15	—	—	Spring Pad	1
16	190894	MBD-19-K10	Spring and Pad (Kit of 10)	1
17	192043	GTI-414	Needle Adjusting Screw	1
18	192139	KK-5059	Bushing, Spring, Pad and Knob Kit	1
●19	—	—	Air Valve Spring	1
●20	—	—	Air Valve	1
21	—	—	Air Valve Body	1
●22	—	—	U Cup Seal	1
●23	—	—	Washer	1
●24	—	—	Snap Ring	1
25	190780	JGS-449-1	Air Valve Assembly	1
26	190287	P-MB-51	Air Inlet Nipple 1/4" NPS(M)	1
27	—	—	Trigger Stud Screw	1
28	—	—	Trigger Stud	1
29	190889	JGS-478	Stud and Screw Kit	1
30	—	—	Trigger	1
31	191943	JGS-477-1	Trigger Stud, Screw Kit	1
●32	—	—	Fluid Inlet Gasket (PTFE)	1
33	—	—	Locknut	1
34	—	—	Fluid Inlet Adapter	1
35	190888	JGA-4042	Fluid Inlet, Gasket, Nut Kit	1
●36	—	—	Retaining Clip	1
●37	—	—	Seal	1
●38	—	—	Pin	1
39	192229	GTI-428-K5	Clip, Seal & Pin (Kit of 5 Each)	1
40	190828	JGA-132	Plug	1
41	192228	GTI-415	Air Adjusting Valve (Optional)	1

JGA®
CONVENTIONAL PRESSURE FEED GUN



High Production,
High Performance

Worldwide choice
for large area
refinishing



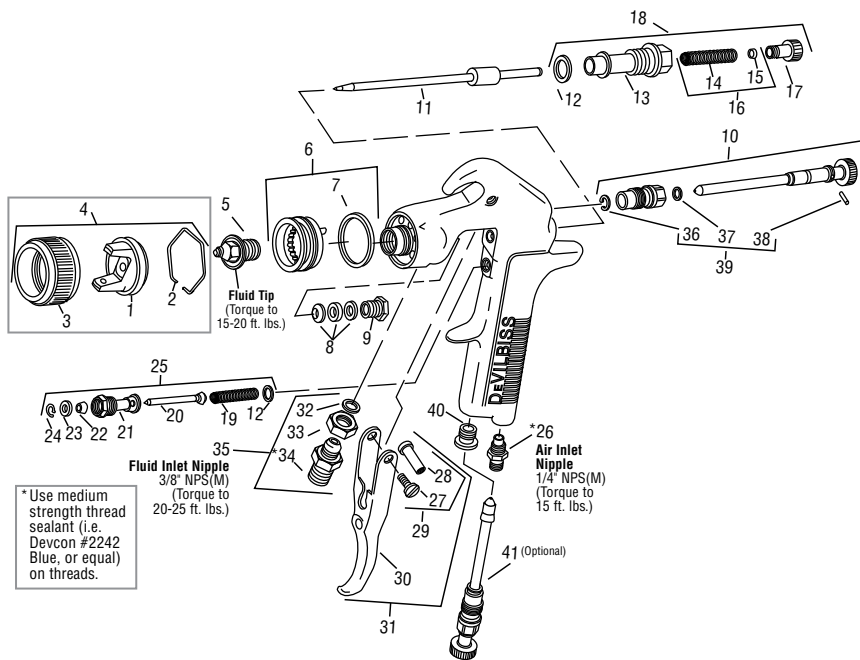
Order No.	Model No.	Type	Fluid Tip (mm)	Inlet Pressure	Application	Fluid Flow
110274	JGA-504-777-14	CONV.	1.4	50-80 PSI	High solids fleet materials	9-17 oz./min.

CONV. = Conventional

JGA® Conventional Pressure Feed Air Cap

#777 air cap	High solids Air Cap Order No. 192066 Air Cap Model No. AV-440-777 50-80 PSI inlet Fluid tip 1.4mm	Air Cap Pattern 11-14"
------------------------	--	---

Refer to Service Bulletin: SB-2-259



* Use medium strength thread sealant (i.e. Devcon #2242 Blue, or equal) on threads.

CHART 1: Air Caps, Fluid Needles & Fluid Tips

If this no. is on air cap, order →	Air Cap with Ring (Ref. No. 4)	Fluid Needle (Ref. No. 11)	Fluid Tips Used (Ref. No. 5)
765	192310 AV-440-765	192311 GTI-449-12	192168 AV-213-12
777	192066 AV-440-777	192311 GTI-449-12	192170 AV-213-14

● A quantity of necessary parts is included in 192227 Repair Kit (KK-5058-2) for complete gun repair and should be kept on hand for service convenience.

Suffixes: -K5 designates kit of multiple parts.
Example: JGA-4035-K5 is a kit of 5 packings.

Ref. No.	Order No.	Model No.	Description	Ind. Parts Req.
1	—	—	Air Cap	1
2	191972	JGA-156-K10	Spring Clip (Kit of 10)	1
3	192042	GTI-3	Air Cap Retaining Ring	1
4	See Chart 1	—	Air Cap & Retaining Ring	1
5	See Chart 1	—	Fluid Tip	1
6	192178	GTI-425	Baffle Assembly	1
●7	192179	GTI-33-K5	Baffle Seal (Kit of 5)	1
●8	192109	JGA-4035-K5	Packing (Kit of 5)	1
9	190893	34411-122-K10	Packing Nut (Kit of 10)	1
10	192051	GTI-405	Spreader Valve Assy	1
11	See Chart 1	—	Fluid Needle	1
●12	190161	JGS-72-K10	Gasket (PTFE) (Kit of 10)	2
13	—	—	Body Bushing	1
●14	—	—	Fluid Needle Spring	1
●15	—	—	Spring Pad	1
16	190894	MBD-19-K10	Spring & Pad (Kit of 10)	1
17	192043	GTI-414	Needle Adjusting Screw	1
18	192139	KK-5059	Bushing, Spring, Pad & Knob Kit	1
●19	—	—	Air Valve Spring	1
●20	—	—	Air Valve	1
21	—	—	Air Valve Body	1
●22	—	—	U Cup Seal	1
●23	—	—	Washer	1
●24	—	—	Snap Ring	1
25	190780	JGS-449-1	Air Valve Assembly	1
26	190287	P-MB-51	Air Inlet Nipple 1/4" NPS(M)	1
27	—	—	Trigger Stud Screw	1
28	—	—	Trigger Stud	1
29	190889	JGS-478	Stud & Screw Kit (3 Studs & 5 Screws)	1
30	—	—	Trigger	1
31	191943	JGS-477-1	Trigger, Stud & Screw Kit	1
●32	—	—	Fluid Inlet Gasket (PTFE)	1
33	—	—	Locknut	1
34	—	—	Fluid Inlet Adapter	1
35	190888	JGA-4042	Fluid Inlet, Gasket & Nut Kit	1
●36	—	—	Retaining Clip	1
●37	—	—	Seal	1
●38	—	—	Pin	1
39	192229	GTI-428-K5	Clip, Seal & Pin Kit (5 Each)	1
40	190828	JGA-132	Plug	1
41	192228	GTI-415	Air Adjusting Valve (Optional)	1

Pressure Tanks

HEAVY-DUTY, A.S.M.E. CODE PRESSURE TANKS

- Comply with O.S.H.A. Regulations

9.8 Gallon A.S.M.E. Code Pressure Tank

- Quick, efficient cleanup with anti-stat liners
- Holds a 5-gallon pail

2.7 Gallon A.S.M.E. Code Pressure Tank

- Available in single and double regulated versions
- Quick, efficient cleanup with anti-stat liners

Order No.	Model No.	Capacity	Regulation	¾ H.P. Air Driven Agitation included
901558	83C-210	2.7 gal.	Single	No
901560	83C-220	2.7 gal.	Double	No
901561	83C-221	2.7 gal.	Double	Yes
930780	183G-520	9.8 gal.*	Double	No (available separately)

*183G-520 holds a 5-gallon pail



ACCESSORIES

192231
PTS-2GAL-K20-400
2.7 gal. strainer



130090
HGS-5242
Fluid regulator



192242
HAR-511
60 CFM fluid pressure tank regulator



191696
PTL-406-K20
9.8 gal tank liner



180073
VS-532
Filter assembly



180053
QMG-418
Agitator assy.



180042
JGA-444
Fluid tube



Pressure Tank Liners

Order No.	Model No.	Description
192143	PT-52	Tank Liner (order quantity 10)
192153	PT-52-K60	Tank Liner
191696	PTL-406-K20	Tank Liner

Tank Liner Selection Chart

	Tank Liners		DeVilbiss Pressure Tanks				BINKS Pressure Tanks and Cups					
	Fits Tank Size	Case Qty.	All Series Tanks	QMG-5200 QMST-5200	QMG-5500 QMST-5500	QMG-51000 QMST-51000	83B, 83C	183G-500 83G-500	2 Qt. Cup Steadi-Grip	83-5600 83-15600	83-5500 83-15500	83-5400
DeVilbiss	PT-52	2.7 gal.	10	X	X		X					
	PT-52-K60	2.7 gal.	60	X	X		X					
	PTL-406-K20	9.8 gal.	20			X		X				
	PTL-410-K8	11.8 gal.	8				X					
Binks	80-356	2 qt.	12					X				
	83-2878	2 gal.	12						X			
	6-228-60	2 gal.	60						X			
	6-238-60	2 gal.	60							X		
	6-239	5 gal.	24								X	

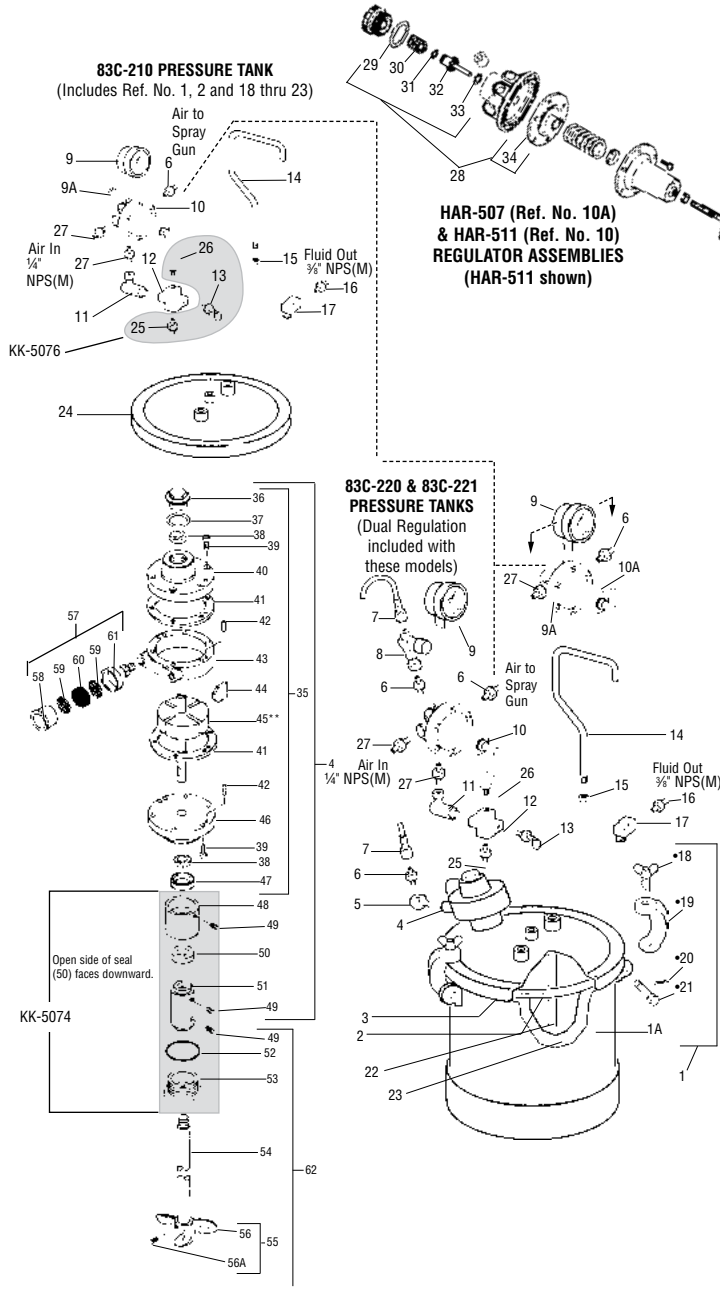
DeVilbiss PT-52 series tank liners also fit Binks 83B and 83C tank series
 DeVilbiss PTL-406 series tank liners also fit Binks 83G-500 and 183G-500 tank series
 Binks PTL-408 series tank liners also fit DeVilbiss QMG-5500 and QMST-5500 tank series



PT II™ A.S.M.E. Code Pressure Tanks

PARTS AND ASSEMBLY

Refer to Part Sheet: SBBI-21-044



- * Parts included in KK-5057 Kit (1 ea. of #'s 18, 19, 20 & 21).
- Parts included in PT-410 Air Motor Assembly.
- † Parts included in KK-5001-1 Air Motor Repair Kit.
- ◆ Parts included in KK-5006 Strainer Screen & Felt Kit (2 ea. of #59, 4 ea. of #60).
- ★ Parts included in KK-5076 Kit (1 ea. of #'s 13, 25 & 26).
- Parts included in KK-5074 Kit (1 ea. of #'s 49, 50, 51, 52 & 53).

Suffixes: -K designates kits of multiple parts. Example: SSG-8096-K5 is a kit of 5 O-Rings.

Ref. No.	Order No.	Model No.	Description	Parts Req.
1	—	—	Tank Assy. Kit (Includes #'s 1A, 18, 19, 20 & 21)	1
1A	—	—	Tank Shell	1
2	192070	PT-33-1	Lid Gasket, Santoprene	1
3	—	—	Lid, Zinc Plated (Agitator)	1
4	—	—	Air Motor/Adapter Assy. (#'s 35, 48, 49, 50 & 51)	1
5	Purchase locally	—	Street Elbow 1/4" NPT (F) x 1/4" NPT (M)	1
6	240006	H-2008	Nipple 1/4" NPT (M) (83C-210 & 83C-220) x 1/4" NPS (M) (83C-211 & 83C-221)	2
3	—	JGA-4035-K5	Packing (Kit of 5)	1
7	—	—	Hose Assembly	1
8	180005	HAV-500	Air Adjusting Valve 1/4" NPS (F) x 1/4" NPT (M)	1
9	901540	83-2727	Gauge (83C-210 & 83C-220) Gauge (83C-211 & 83C-221)	2
9A	Purchase locally	—	Pipe Plug 1/4" NPT(M) (Supplied/Regulator)	1
10	192242	HAR-511	Regulator (All regulated models)	1
10A	130059	HAR-507	Regulator (83C-211 & 83C-221)	1
11	190360	SSP-30-ZN	90° Swivel Adapter 1/4" NPS (F) x 1/4" NPT (M)	1
12	Purchase locally	—	Cross 1/4" NPT (F)	1
★13	—	—	Safety Valve, 80 PSI	1
14	190290	PT-32	Handle	1
15	Purchase locally	—	Hex Nut 3/8" -16	1
16	240000	AD-11	Nipple 3/8" NPT (M) x 3/8" NPT (M), S.S.	1
17	Purchase locally	—	Street Elbow 3/8" NPT (F) x 3/8" NPT (M), S.S.	1
*18	—	—	Thumb Screw	4
*19	—	—	Yoke Assembly	4
*20	—	—	Cotter Pin, 3/32 x 1"	4
*21	—	—	Hinge Pin	4
22	190289	PT-31	Fluid Tube	1
23	192153	PT-52	Tank Liner	1
24	—	—	Lid, Zinc Plated	1
★25	—	—	Hex Nipple 1/4" NPT (M)	1
★26	—	—	Drain Valve	1
27	901552	83-4233	D.M. Nipple (Universal Pipe Thread) (83C-210 & 83C-211) (83C-220 & 83C-221)	2 3
28	191554	KK-4977	Repair Kit	1
29	—	—	O-Ring	1
30	—	—	Spring	1
31	—	—	O-Ring	1
32	—	—	Valve	1
33	—	—	O-Ring	1
34	—	—	Diaphragm Assembly	1
35	190301	PT-410	Air Motor Assembly	1
36	—	—	End Cap	1
†37	—	—	End Cap Gasket	1
38	190313	PT-58	Bearing	2
39	Purchase locally	—	Screw (1/4" -28 x 1/2")	12
●40	—	—	Front Plate	1
†41	—	—	End Plate Spacer	2
42	—	—	Dowel Pin	4
●43	—	—	Body	1
†44	—	—	Vane	4
45	—	—	Rotor Assembly	1
●46	—	—	End Plate	1
47	190311	PT-56	Shaft Seal	1
48	—	—	Air Motor Adapter	1
■49	Purchase locally	—	Set Screw (1/4" -20 x 1/4")	4
■50	190292	KK-5041	Seal Assembly	1
■51	—	—	Shaft Coupling	1
■52	190354	SSG-8096-K5	O-Ring (Kit of 5)	1
■53	—	—	Adapter Nut	1
54	—	—	Shaft	1
55	—	—	Propeller Assembly	1
56	—	—	Propeller	1
56A	Purchase locally	—	Set Screw (1/4" -20 x 3/8" S.S.)	1
57	—	—	Muffler Assembly	1
58	See 57	—	Body	1
◆59	See 57	—	Screen	2
†◆60	See 57	—	Felt	1
61	See 57	—	Cap	1
62	192271	KK-5075	Agitator Shaft Assy. (Optional-Order Separately)	1

KBII™ Pressure Cup and Liner Kit

Comfortable to carry.

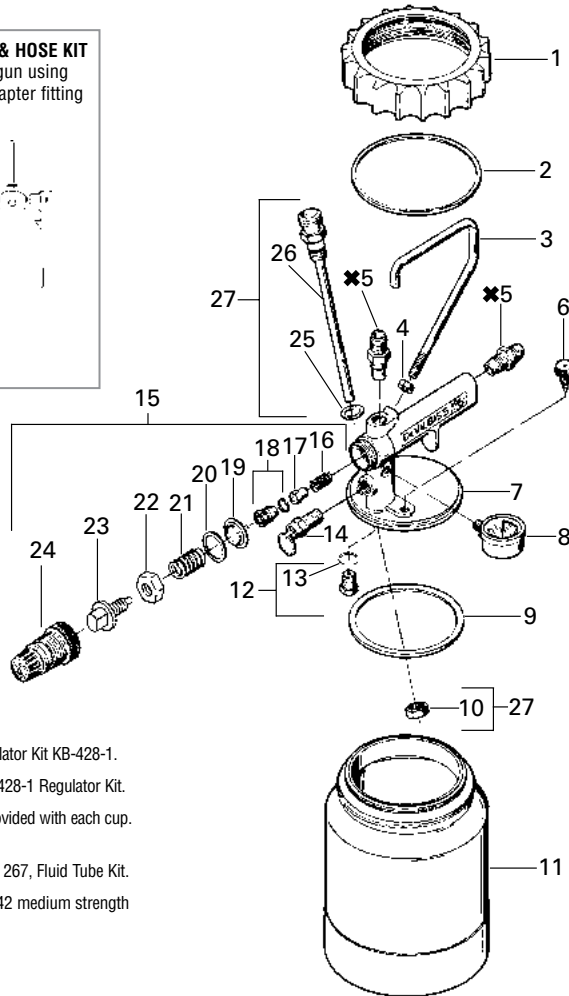
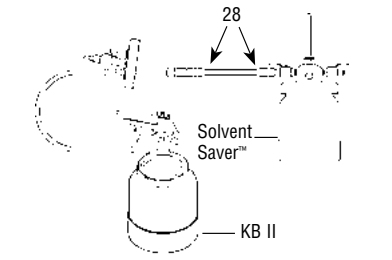
Easy clean ups with disposable liners

Order No.	Model No.	Capacity	Regulation
120033	KB-555	2 qt.	Yes
192025	KK-5051	EZ Liner Kit for KBII	



Refer to Service Bulletin: SB-4-205

192026 (KK-5052) ADAPTER FITTING & HOSE KIT
Allows flushing of cup tube, hose and gun using SolventSaver™. Kit includes: HD-410 adapter fitting and 2' hose assembly.



Ref. No.	Replacement Part No.	Description	Ind. Parts Req.
1	KB-64	Retaining Ring	1
#2	KB-81-K5	Slip Ring (Kit of 5)	1
*3	KB-74	Handle – Secondary	1
4	—	Nut 5/16" -18 (Purchase locally)	1
5	P-MB-51	Adapter	2
#6	KB-66	Pressure Bleed Valve (For KB-555)	1
#	KB-95	Pressure Bleed Valve (For KB-545-SS)	1
7	KB-70	Lid w/handle (For KB-555)	1
	KB-93	Lid w/handle (For KB-545-SS)	1
8	GA-355	Pressure Gauge 0-30 PSI	1
#9	KB-80-K5	Gasket (Kit of 5)	1
+10	MBD-11-K5	Locknut (For KB-555, Kit of 5)	1
	KB-97-K2	Locknut (For KB-545-SS, Kit of 2)	1
11	KB-422	2 qt. cup (For KB-555)	1
	KB-442	2 qt. cup (For KB-545-SS)	1
12	KB-432-K3	Check Valve (Kit of 3)	1
#13	KB-85-K5	Gasket (Kit of 5)	1
14	TIA-4355	Safety Valve	1
15	KB-428-1	Regulator Kit	1
•16	—	Valve Spring	1
•17	—	Valve, PTFE	1
•18	—	Valve Seat & O-Ring Assembly	1
•19	—	Diaphragm, PTFE protected	1
•20	—	Slip Ring	1
•21	—	Regulator Spring	1
•22	—	Nut	1
•23	—	Adjusting Screw	1
•24	—	Bonnet	1
+25	KB-60-K6	Gasket (Kit of 6)	1
+26	—	Fluid Tube Assembly	1
27	KK-4997	Fluid Tube Kit – (Aluminum for KB-555)	1

- These parts are included in the Regulator Kit KB-428-1.
- # Recommended Spare Parts and KB-428-1 Regulator Kit.
- * A secondary handle (3) has been provided with each cup. May be used for "Belt Hanging."
- + These parts are included in Ref. No. 267, Fluid Tube Kit.
- ✘ Apply thread sealant (i.e. Loctite #242 medium strength blue or equal) unto threads.

Solvent Saver™ HOSE & GUN CLEANER

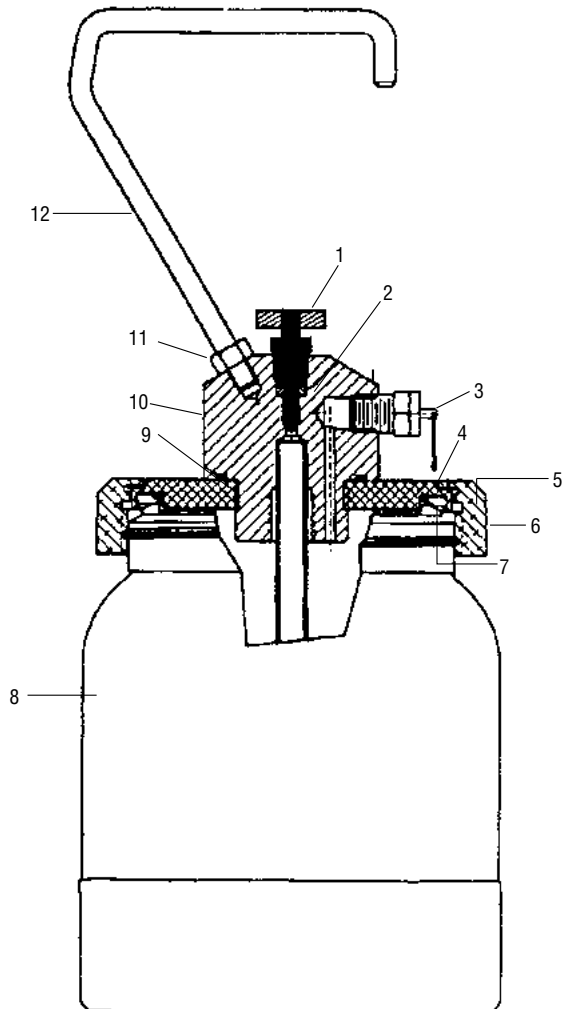
A Real Time Saver

Cleans fluid hoses quickly without wasting solvent

Order No.	Model No.	Capacity
180037	HD-503	2 qt.



Refer to Service Bulletin: SB-14-052



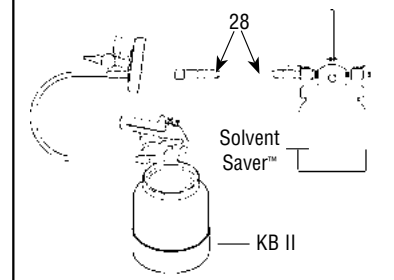
Ref. No.	Order No.	Model No.	Description	Ind. Parts Req.
1	—	—	Needle Valve Assembly	1
2	—	—	Needle Valve Gasket (Kit of 2)	1
3	190582	TIA-4355	Safety Valve	1
4	—	—	Lid	1
5	190577	KB-81-K5	Ring Gasket (Kit of 5)	1
6	190573	KB-64	Retaining Ring	1
7	190576	KB-80-K5	Gasket Kit (Kit of 5)	1
8	190578	KB-422	Cup (2 quart)	1
9	191882	SSG-8184-K2	O-Ring Kit (Kit of 2)	1
10	—	—	Hub Assembly	1
*11	Purchase locally	—	Nut (5/16-18)	1
12	190575	KB-74	Handle	1

OPTIONAL:

192026 (KK-5052)

ADAPTER FITTING & HOSE KIT

Allows flushing of cup tube, hose and gun using SolventSaver™. Kit includes: adapter fitting and 2' hose assembly.



DeKups® GRAVITY FEED DISPOSABLE CUP



The Ultimate
in Productivity

Saves Time and Money

- Better fluid flow for great color match
- Positive locking gun connection
- Refill without opening the cup
- Self-dispensing packaging
- Larger capacity cups

DeKups® Disposables and Reusables

Order No.	Model No.	Description
802102	DPC-602	9 fl. oz./265 ml Disposable cup/lid (32)
802101	DPC-601	24 fl. oz./710 ml Disposable cup/lid (32)
802100	DPC-600	34 fl. oz./1000 ml Disposable cup/lid (32)
802972	DPC-607	9 fl. oz./265 ml Reusable sleeve/lid (2)
802759	DPC-606	24 fl. oz./710 ml Reusable sleeve/lid (2)
802973	DPC-608	34 fl. oz./1000 ml Reusable sleeve/lid (2)
803474	DPC-524	24 fl. oz./34 fl. oz. Disposable lid (32)
803889	DPC-509	9 fl. oz./265 ml Disposable lid (32)



DeKups® ADAPTERS

802200 / DPC-43
Adapter
(DeVilbiss, TEKNA, CVI,
PLUS, GTI, PRI, JGA,
Binks M1G, Sharpe Cobalt,
Platinum & Titanium)



802201 / DPC-26
Adapter
(Accuspray Issac)



802202 / DPC-31
Adapter
(FinishLine 2, 3 & 4)



803856 / DPC-85
Adapter
(Accuspray Disposable
Head Spray Gun)



802203 / DPC-10
Adapter
(SATA® NR 2000, RP, KLC,
MCB & Jet 90 series,)



802204 / DPC-11
Adapter
(SATA® NR95 & 92, Iwata
LPH-400 & W400LV,
Astro GF14, 17 & 20S,
Finex FX 200 & FX 300)



802205 / DPC-13
Adapter
(Sagola)



802206 / DPC-23
Adapter
(DeVilbiss SRI, SRIW,
SRIPro, Binks Cub)



802340 / DPC-500
Conversion
Adapter



802955 / DPC-64
Adapter
(StartingLine
touch-up gun)



**803120 /
DPC-69-K1**
Suction
Conversion Kit



803850 / DPC-504
Adapter
(SATA® QCC full size)



803314 / DPC-78
Adapter
(Iwata SuperNova
AirGuns, LPN300,
W300)



803420 / DPC-81
Adapter
(StartingLine full-size
gun, Sharpe Finex 1000,
2000, 3000)



803238 / DPC-502
Adapter Kit
(SATA® Minis, QCC &
threaded)



U.S. PATENT NOS. 7,380,680; 7,354,074; 7,353,964; 7,350,418; 7,344,040; 7,263,893; 7,165,732; 7,086,549

DeKups® KITS

DeKUPS®

by Devilbiss

DeKups® DEMO KIT

Order No. Model No.
803130 DPC-654

Demo Kit

Adapter for Devilbiss®, TEKNA®, CVi®, PLUS™, GTi®, PRi®, JGA®, Binks® M1G, Sharpe Cobalt, Platinum & Titanium (1), 24 oz. Reusable Sleeve & Lid (1), 24 oz. Disposable Cups & Lids (8), Plugs (5), Disk Filter 125 Micron (4), Disk Filter 200 Micron (4), Barrel Filter 300 Micron (1), Funnel (1), Measuring Guide (1), How-to-Use Guide



DeKUPS®

by Devilbiss

DeKups® SHOP START UP KIT

Order No. Model No.
802371 DPC-650

Shop Start Up Kit

24 oz. Reusable Sleeve & Lid (6), 9 oz. Reusable Sleeve & Lid (2), 24 oz. Disposable Cups & Lids (32), 9 oz. Disposable Cups & Lids (32), 24/34 oz. Disk Filter 125 Micron (12), 9 oz. Disk Filter 125 Micron (12), 24/34 oz. Disk Filter 200 Micron (12), 9 oz. Disk Filter 200 Micron (12), Barrel Filter 300 Micron (10), Funnel (24), 3 oz. Disposable Cups (3), Cleaning Brush, Cleaning Bottle, Magnets (5), How-to-Use Guide, Plugs (20)

Get Started with DeKups Today!

- Anti-static disposables
- Contains the perfect amount for several jobs
- Better fluid flow for greater color match
- Positive locking gun connection
- Anti-static cups for improved metallic distribution
- Larger capacity cups



DeKups®

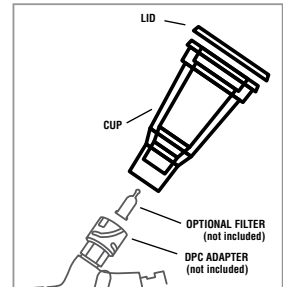
HOW TO USE THE SYSTEM



3 oz. DISPOSABLE CUP

- Simple and affordable solution for spot repair and spraying at mobile repair locations
- Vented cup design provides consistent fluid flow for better color match and a better quality finish
- Easy and secure fit over DeKups® adapters

Order No. **803510** Model No. **DPC-503-K24**
 (Kit of 24 cups & lids)



Fits ALL DeKups Adapters



DeKups® ACCESSORIES

802976 / DPC-42-K24
 24 oz./34 oz. Disk filter
 (125 micron) (24)
 White frame/White mesh



802977 / DPC-65-K24
 9 oz. Disk filter
 (125 micron) (24)
 White frame/White mesh



802950 / DPC-59-K10
 24 oz. Universal measuring guide (10)
802951 / DPC-60-K10
 9 oz. Universal measuring guide (10)
802952 / DPC-61-K10
 34 oz. Universal measuring guide (10)



802978 / DPC-66-K24
 24 oz./34 oz. Disk filter
 (200 micron) (24)
 Black frame/White mesh



802979 / DPC-67-K24
 9 oz. Disk filter
 (200 micron) (24)
 Black frame/White mesh



802106 / DPC-14-K10
 Coarse filter
 (600 micron)
 Thick paint (10)



802107 / DPC-17-K10
 Fine filter
 (300 micron)
 Colors/clears (10)



802108 / DPC-27-K10
 Very fine filter
 (200 micron)
 Pearls (10)



802334 / BXX-1279
 Filters & plugs storage case



192316 / DPC-8
 Cleaning bottle



802212 / DPC-44
 Cleaning brush



802109 / DPC-22-K24
 Disposable funnel (24)



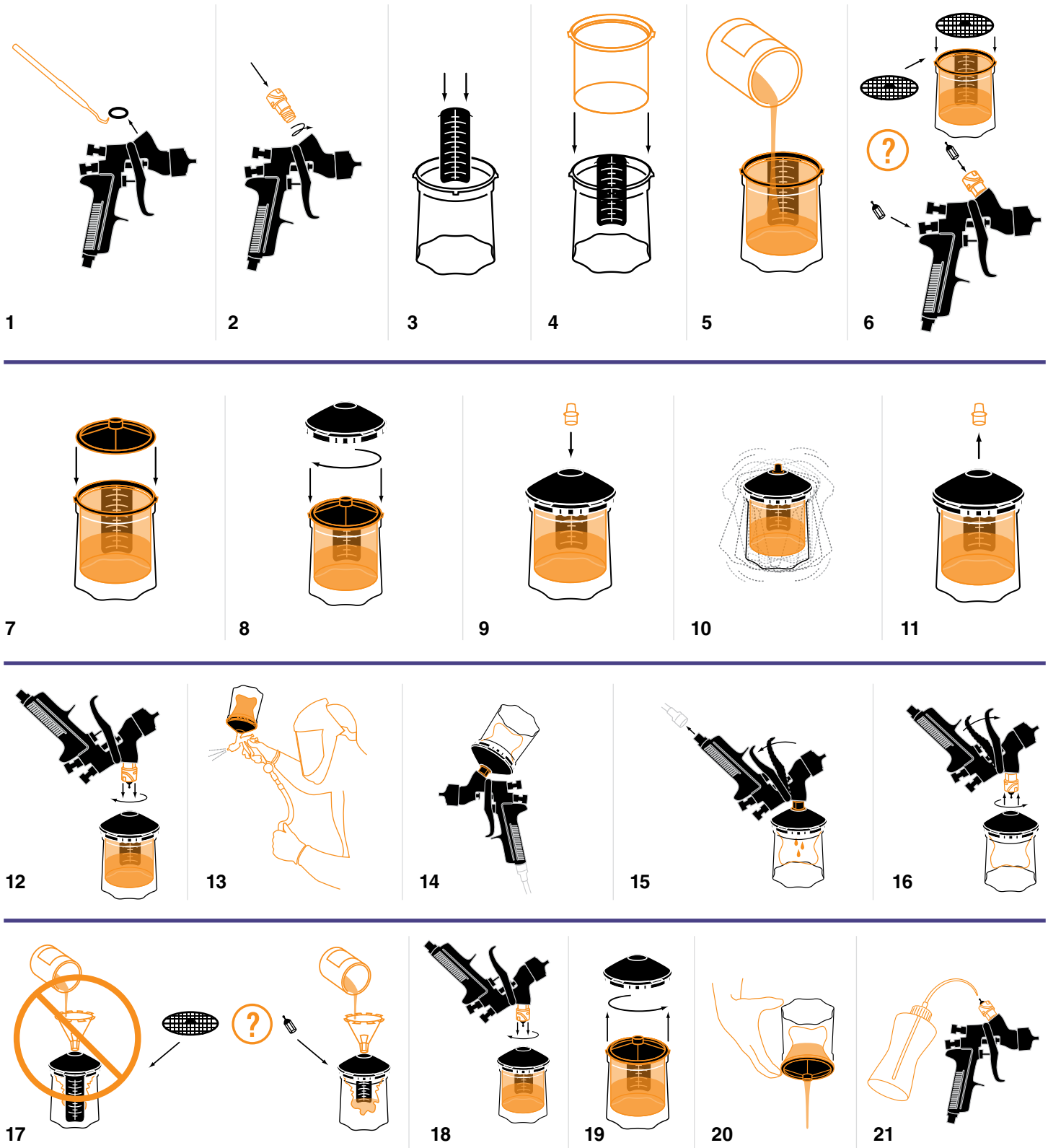
802213 / DPC-6-K10
 Storage plugs (10)



802185 / DPC-5001
 Magnet Assembly



DeKups®
HOW TO USE THE SYSTEM



DAGR® AIRBRUSH



Gravity Airbrush (.35mm)

Excellent Control

- Hairline detail to high paint-flow shading and gradual fades
- Smooth double action trigger
- Pre-set handle for precise control of paint flow

Durable

- Solvent proof fluid passages
- Copper, nickel and chrome plated body

Value

- Crown cap standard for fine lines and needle protection
- Collector storage tin included
- Larger capacity cups



Order No.	Model No.	Description
802609	DGR-501G-35	DAGR® Gravity Airbrush
803125	DGR-603	DAGR® Studio (Gravity Airbrush, 2 ½ oz. Cups & 10 ft. Braided Hose)



AirBlade® Compressors

Order No.	Model No.	Description
803286	DGR-518-1	AirBlade® Compressor w/Regulator (1/8 hp) .07 CFM, up to 30 PSI, 120V
803285	DGR-604G-35	Gravity DAGR®, AirBlade® Compressor w/Regulator (1/8 hp), Hose
803287	DGR-140	Regulator w/Filter, Moisture Trap, Hanger

AirBlade® Compressors Include:

- Regulator
- Water trap filter
- Airbrush holder



DAGR® Studio

DGR-603



Everything the Automotive Artist needs to get started!

- DAGR airbrush with ½ oz. cup
- ½ fl. oz. (14cc) cup and lid – ideal for spraying larger areas without refilling
- 10 ft. braided nylon air hose

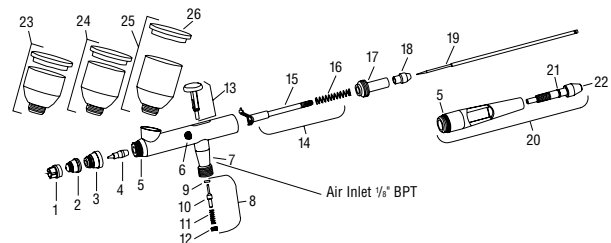
Refer to Service Bulletin: SB-2-055

Specifications

Operating Pressures	20 to 50 psi
Maximum Inlet Pressure	175 psi
Airbrush Plating	Nickel, copper, chrome
Needle Packing	PTFE (solvent-proof)

● DAGR Repair Kit 802635 (DGR-121K)

Ref. No.	Description	Qty.
5	O-ring (head cap & handle)	3
9	Air valve washer	2
17	Needle spring	1
22	O-ring (pre-set needle knob)	1



Ref. No.	Order No.	Model No.	Description	Ind. Parts Req.	Ref. No.	Order No.	Model No.	Description	Ind. Parts Req.	Ref. No.	Order No.	Model No.	Description	Ind. Parts Req.
1	802613	DGR-101	Crown cap	1	13	802622	DGR-109	Trigger assembly	1	24	802632	DGR-118	1/3 oz.(9 cc) cup and lid (standard)	1
2	802615	DGR-103-35	Air cap (for .35mm nozzle)	1	14	802623	DGR-110K	Needle guide, rocker, & spring	1	25	802633	DGR-119	1/2 oz.(14 cc) cup and lid	1
3	802616	DGR-104	Head cap	1	15	—	—	Needle guide and rocker	1	26	—	—	Cup lid	1
4	802618	DGR-105-35	Nozzle (.35mm)	1	16	—	—	Needle spring	1	802975	DGR-18-K5	O-Ring Kit	1	
●5	—	—	O-ring (head cap & handle)	1	17	802624	DGR-111	Spring guide	1					
6	802619	DGR-106K	Packing and nut assembly (PTFE)	1	18	802625	DGR-112	Needle locknut	1					
7	802620	DGR-107	Air valve casing	1	19	802627	DGR-113-35	Needle (for .35mm nozzle)	1					
8	802621	DGR-108K	Air valve kit	1	20	802628	DGR-114	Cutaway handle w/pre-set	1					
●9	—	—	Air valve washer	1	●21	—	—	O-ring (pre-set needle knob)	1					
10	—	—	Air valve plunger	1	22	—	—	Pre-set needle knob	1					
11	—	—	Air valve spring	1	23	802631	DGR-117	1/4 oz.(7 cc) cup and lid	1					
12	—	—	Air valve nut	1										

DAD-PRO™ DESICCANT AIR DRYING SYSTEM



Worry free air filtration for top-quality paint jobs

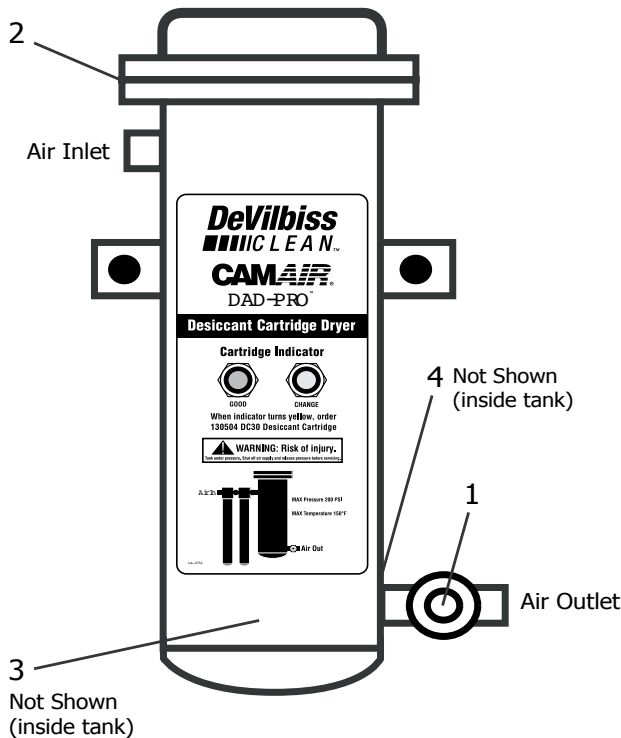
- First stage filter removes oil, water and dirt down to 5 microns.
- Second stage coalescer removes oil vapors and dirt particles down to .01 microns.
- Desiccant tank removes water vapor and humidity down to a dew point of -40° F.
- Bagged desiccant and automatic drains for ease of maintenance.

Order No.	Description
130546	DAD-PRO Desiccant Air Drying System
130504	Replacement Desiccant Cartridge
130536	50 scfm 2-stage Filter Assy with Regulator
130538	Replacement Water Separator Element
130539	Replacement Oil Coalescing Element
130544	Filter Mounting Bracket
130545	Float Drain Kit



Replaceable Desiccant Cartridge for Easy Maintenance

Refer to Service Bulletin: SB-6-234



Ref No.	Replacement Part No.	Description	Individual Parts Req.
1	130505	Humidity Indicator (1 Humidity Indicator Paper Included)	1
2	130510	Gasket	1
3	130504	Desiccant Cartridge (Not Shown)	1
4		Tank Grommet (Included with 130504)	1

CT Plus™ 5-STAGE FILTER SYSTEM



Complete compressed air treatment and drying center

Worry free air filtration for top quality paint jobs

- First stage filter removes oil, water and dirt down to 40 micron
- Second stage coalescer removes oil vapors and dirt particles down to .01 micron
- CT30 desiccant tank repeats dirt and oil aerosol removal and removes humidity



Order No.	Description
130522	CT Plus 5-stage desiccant filter system
130517	Filter element, water (1st stage)
130518	Filter element, coalescing (2nd stage)
130504	DC30 desiccant cartridge

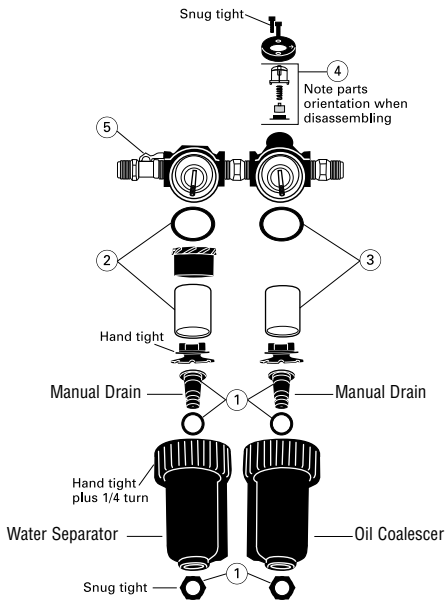
30 CFM air flow capacity

- Longer desiccant life
- Air inlet valve shuts off CT Plus™ air without having to shut off shop air
- No tools needed to change first and second stage filters
- Easy change-out desiccant cartridge bag

Ergonomic, self-relieving regulator



Refer to Service Bulletins and Instructions: SB-6-182, SI-6-18-8, SI-6-18-10

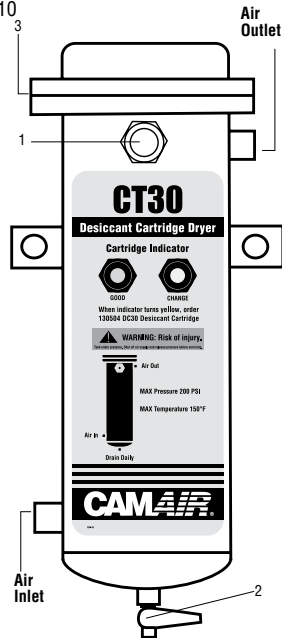


2-Stage Filter Set Parts

Ref. No.	Part No.	Description	Ind. Parts Req.
1	130519	Drain Kit (1 set)	1
2	130517	Filter Element, Water	1
3	130518	Filter Element, Coalescing	1
4	130520	Indicator Kit, Coalescing	1
5	VA-595	Shut-off Valve	1

2-STAGE FILTER SPECIFICATIONS

Air Flow 65 SCFM @ 90 PSIG
 Max. Pressure 150 PSIG
 Max. Temperature 150°F



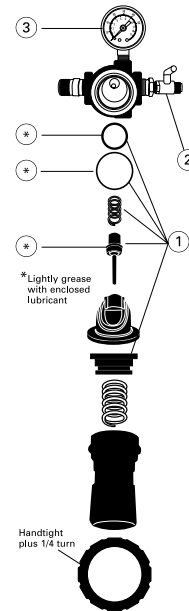
CT30 Parts

Ref. No.	Order No.	Description	Ind. Parts Req.
1	130505	Humidity Indicator (1 Humidity Indicator Paper included)	1
2	130511	Drain (Manual)	1
3	130510	Gasket	1
*4	130504	Desiccant Cartridge (not shown)	1

* Material Safety Data Sheet (MSDS-52) available upon request.

CT30 SPECIFICATIONS

Air Inlet 1/2" NPT (Female)
 Air Outlet 1/2" NPT (Female)
 Air Flow Capacity 30 CFM
 Max. Operating Pressure 200 PSIG (14 Bar)
 Max. Temperature 150°F (65.6°C)
 Humidity Indicator Green: OK
 Yellow: Replace Desiccant
 Water Vapor Removal -40°F Dew point
 Partical Removal 0.1 micron
 Manual Drain Included



Regulator Parts

Ref. No.	Part No.	Description	Ind. Parts Req.
1	130521	Regulator Kit	1
2	VA-594	Shut-off Valve	1
3	GA-288	Gauge	1

REGULATOR SPECIFICATIONS

Air Flow 65 SCFM @ 100 PSIG
 Max. Inlet Pressure 250 PSIG
 Regulated Pressure Range 2-125 PSIG
 Max. Temperature 175°F

CamAir Filter Systems

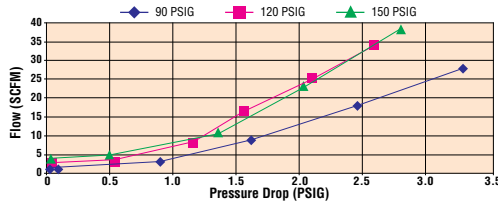


Air Filtration/Regulation Systems

- Compact and effective—perfect for cramped shop spaces
- Removes dirt, water and oil from air lines to 0.01 micron—assures superior finishes
- Quick change bowls and air inlet valve accommodate rapid, trouble free maintenance without shutting off main shop air
- Combine 2-stage filter with the CT-30 desiccant dryer to create a CT Plus 5-stage filter system
- 65 SCFM @ 90 PSIG

Order No.	Description
130523	2-stage filter unit with regulator
130526	3-stage filter unit with 2 regulators

Flow vs Pressure Drop of 130523 2-Stage Filter Unit



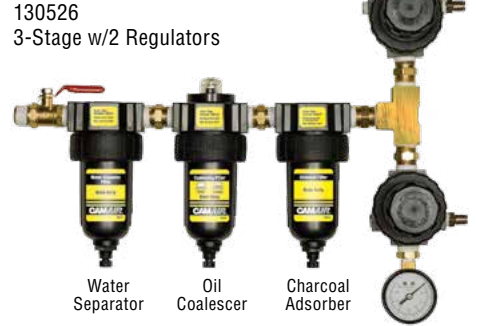
3-Stage filter system meets type 1 grade D breathable air particulate requirements



130523 2-Stage w/Regulator

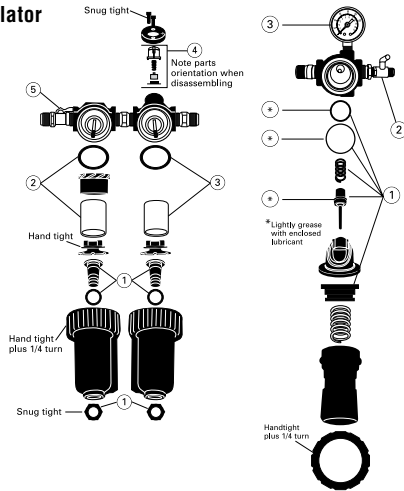


130526 3-Stage w/2 Regulators



Refer to Service Bulletins and Instructions: SB-6-182, SI-6-18-8, SI-6-18-10

130523 2-Stage w/Regulator



2-Stage Filter Set Parts

Ref. No.	Part No.	Description	Ind. Parts Req.
1	130519	Drain Kit (1 set)	1
2	130517	Filter Element, Water	1
3	130518	Filter Element, Coalescing	1
4	130520	Indicator Kit, Coalescing	1
5	VA-595	Shut-off Valve	1

2-STAGE FILTER SPECIFICATIONS

Air Flow 65 SCFM @ 90 PSIG
 Max. Pressure 150 PSIG
 Max. Temperature 150°F

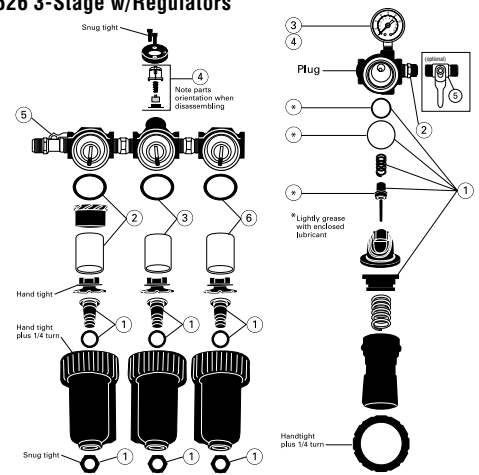
REGULATOR SPECIFICATIONS

Air Flow 65 SCFM @ 100 PSIG
 Max. Inlet Pressure 250 PSIG
 Regulated Pressure Range 2–125 PSIG
 Max. Temperature 175°F

2-Stage Regulator Parts

Ref. No.	Part No.	Description	Ind. Parts Req.
1	130521	Regulator Kit	1
2	VA-594	Shut-off Valve	1
3	GA-288	Gauge	1

130526 3-Stage w/Regulators



3-Stage Filter Set Parts

Ref. No.	Part No.	Description	Ind. Parts Req.
1	130519	Drain Kit (1 set)	1
2	130517	Filter Element, Water	1
3	130518	Filter Element, Coalescing	1
4	130520	Indicator Kit, Coalescing	1
5	VA-595	Shut-off Valve	1
6	130527	Filter Element, Charcoal	1

3-Stage Regulator Parts

Ref. No.	Part No.	Description	Ind. Parts Req.
1	130521	Regulator Kit	1
2	H-2008	Adapter	1
3	GA-288	Gauge	1
4	GA-375	Gauge, Upside Down	1
5	VA-594	Shut-off Valve (optional)	1

CT30 & CT30P DESICCANT CARTRIDGE DRYERS



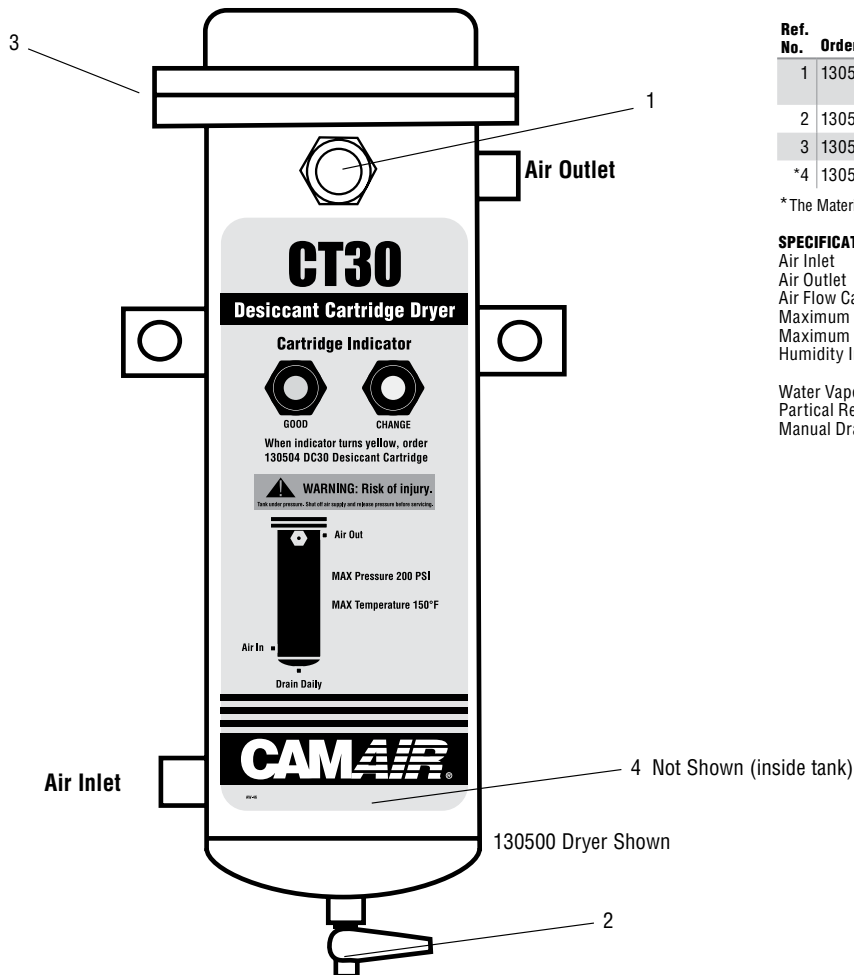
Order No.	Description
130500	Desiccant Air Dryer wall mount
130501	Desiccant Air Dryer portable with stand
130504	Desiccant Cartridge

Easy Change Desiccant Air Dryer

- CT series desiccant air dryers remove water vapor from the compressed air down to a dew point of -40° F
- Quick change 10 lb. desiccant cartridge bag is made of a special fiber media which removes oil aerosols and solid particles down to 0.1 micron meaning no need for coalescing or final filters
- Install at point of use
- 30 CFM air flow capacity



Refer to Service Bulletin: SB-6-182



Ref. No.	Order No.	Description	Ind. Parts Req.
1	130505	Humidity Indicator (1 Humidity Indicator Paper included)	1
2	130511	Drain (Manual)	1
3	130510	Gasket	1
*4	130504	Desiccant Cartridge (not shown)	1

*The Material Safety Data Sheet (MSDS-52) is available upon request.

SPECIFICATIONS

Air Inlet	½" NPT (Female)
Air Outlet	½" NPT (Female)
Air Flow Capacity	30 CFM
Maximum Operating Pressure	200 PSIG (14 Bar)
Maximum Temperature	150°F (65.6°C)
Humidity Indicator	Green: OK Yellow: Replace Desiccant
Water Vapor Removal	-40°F Dew point
Partical Removal	0.1 micron
Manual Drain	Included

DAD-500™ DESICCANT AIR DRYER SYSTEM

Avoid Costly Redo's

- Properly maintained air filtration system eliminates moisture and dirt in air lines
- Install at point of use



Order No.	Model No.	Description
130026	DAD-500	3-stage desiccant air dryer system

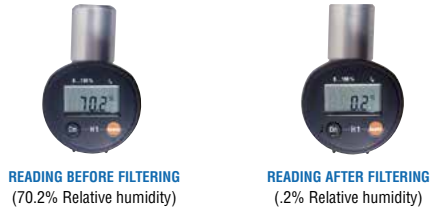


Compare DeVilbiss filtered air vs. unfiltered air

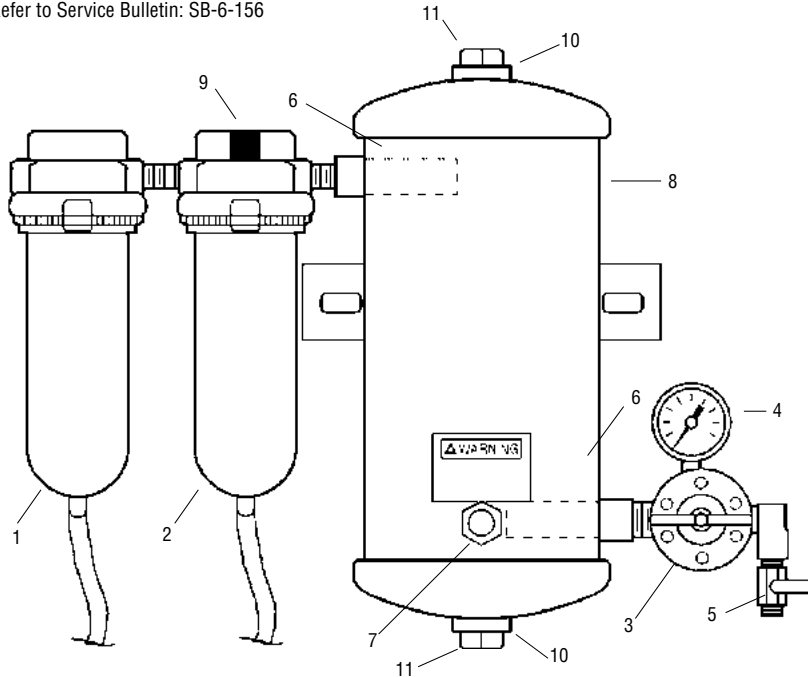
DeVilbiss' DAD-500 filters out contaminants to .01 micron



Compare the humidity reading before and after filtering with DeVilbiss DAD-500



Refer to Service Bulletin: SB-6-156



Ref. Order No.	Model No.	Description	Ind. Parts Req.
1	130041	Water Separator Filter	1
2	130027	Oil Coalescing Filter	1
3	130059	Air Regulator	1
4	190564	Gauge	1
5	240039	Ball Valve	1
6	190953	DAD-8 Air Filter (inside of tank)	2
7	190895	DAD-400 Humidity Indicator (paper included)	1
8	190877	PT-417 Desiccant Tank (without desiccant) (incl. #6)	1
9	190883	HAF-404 Filter Change Indicator	1
+	190831	DAD-1 Desiccant Refill	1
+	190727	HAF-6 Filter (see Key Maintenance Items chart)	1
+	190845	HAF-28 Filter (see Key Maintenance Items chart)	1
10	802153	SSG-8217-K2 O Ring Kit	1
11	802154	PT-96 Pipe Plug special 1-1/2 NPT	2
12	801288	VA-595 Brass Shut Off Valve (not shown)	1

+ Key Maintenance Items (Replace periodically for efficient performance)

Order No.	Model No.	Description
190831	DAD-1	Desiccant Refill
190727	HAF-6	First stage water separator filter element (5 micron)
190845	HAF-28	Second stage coalescing filter element (.01 micron)

SPECIFICATIONS:

13-0041 (HAF-502) Water Separator Filter

Air Inlet & Air Outlet ½" NPT(F)
 Air Flow Capacity 100 CFM
 Max. Operating Pressure 150 PSIG (10.3 Bar)
 Max. Temp. 150°F (65.6°C)
 Automatic Drain Standard
 Filter 5 micron

HAF-505 Oil Coalescing Filter

Air Inlet & Air Outlet ½" NPT(F)
 Air Flow Capacity 55 CFM
 Max. Operating Pressure 150 PSIG (10.3 Bar)
 Max. Temperature 150°F (65.6°C)
 Automatic Mechanical Drain Standard
 Pressure Differential Indicator Standard
 Filter 0.01 micron

Desiccant Dryer

Air Inlet & Air Outlet ½" NPT(F)
 Air Flow Capacity 25 CFM
 Max. Operating Pressure 150 PSIG (10.3 Bar)
 Max. Temperature 150°F (65.6°C)
 Humidity Indicator Standard
 Water Vapor Removal -40°F Dew Point

HAR-507 Air Regulator

Air Inlet ¾" NPT(F)
 Air Outlet ¼" NPT(F) (3 each)
 Air Flow 60 CFM
 Max. Operating Pressure 150 PSIG (10.3 Bar)
 Max. Temperature 120°F (48.9°C)

VA-595 Main Air Supply Shut Off Valve (not shown)

Air Inlet & Air Outlet ½" NPT(M)
 Max. Operating Pressure 175 PSIG (12.0 Bar)

Shipping Weight DAD-500: 35 lbs

Dimensions DAD-500: 22" x 17" x 18"

• Tune-Up Kit 130030 (DAD-600)

Model No.	Description	Qty.
DAD-1	Desiccant Refill	1
HAF-6	Filter Element for 13-0041	1

• Tune-Up Kit 802182 (DAD-600-1)

Model No.	Description	Qty.
DAD-1	Desiccant Refill	1
HAF-6	Filter Element for 13-0041	1
HAF-28	Filter Element for HAF-505	1

CAMAIR QC3 FILTER AND DRYER UNIT



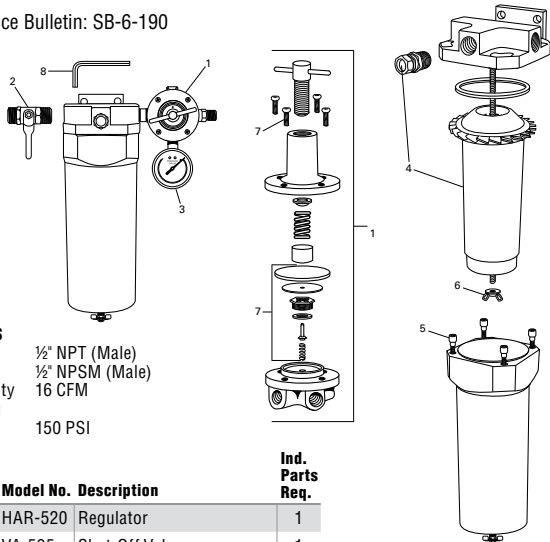
A Great Choice for Light Usage such as Low Volume Shops, Restorers, Customizers, and Hobbyists

- Three-stage filtering with 0.1 micron rating produces clean, oil- and humidity-free air.
- High performance filtration with only 2 PSI pressure drop.
- Quick change filter cartridge is easy to maintain. Bowl removal tool included.
- Larger filter media and longer life desiccant than disposable dryers
- Install at point of use

Order No.	Description
130525	Desiccant Filter and Dryer Unit
130524	QC3 Filter and Desiccant Cartridge Replacement



Refer to Service Bulletin: SB-6-190



SPECIFICATIONS

Air Inlet	½" NPT (Male)
Air Outlet	½" NPSM (Male)
Air Flow Capacity	16 CFM
Max. Operating Pressure	150 PSI

Ref. No.	Order No.	Model No.	Description	Ind. Parts Req.
1	130100	HAR-520	Regulator	1
2	802188	VA-595	Shut-Off Valve	1
3	192314	GA-375	Pressure Gauge	1
4	130524	130524	Cartridge, Dryer Filter*	1
5	Purchase Locally		Socket Head Screw, 1/4-20 @ 3/4	4
6	Purchase Locally		Wingnut, 1/4-20	1
7	802112	KK-5088	Regulator Repair Kit	1
8	Purchase Locally		5mm Hex Key Wrench	1

*Cartridge includes indicator window & humidity paper

FinishLine® AIR CONTROL UNIT



Includes:

- 5 micron particle filter
- Mounting bracket
- Regulator and gauge

The Value Leader

- Removes moisture and dirt
- Regulates air pressure

Order No.	Model No.	Description
130099	HAR-602	120 CFM air line filter w/ 50 CFM regulator
192315	HAF-39	120 CFM Filter element and gasket kit
803643	HAR-680	80 CFM air control unit with 50 CFM regulator
803641	HAF-47	80 CFM Filter element and gasket kit



ACCESSORIES

192314 / GA-375
Gauge for HAR-520 regulator



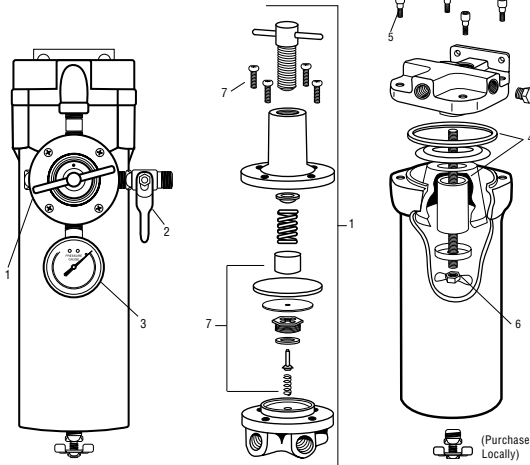
192315 / HAF-39
HAR-602 Element Kit



130100 / HAR-520
50 CFM regulator for HAR-602



Refer to Service Bulletin: SB-6-180



Ref. No.	Order No.	Model No.	Description	Ind. Parts Req.
1	130100	HAR-520	Regulator	1
2	240160	VA-594	Shut-Off Valve	1
3	192314	GA-375	Pressure Gauge	1
4	192315	HAF-39	Element & Gasket Kit	1
5	Purchase Locally		Socket Head Screw, 1/4-20 x 3/4	4
6	Purchase Locally		Wingnut, 1/4-20	1
7	802112	KK-5088	Regulator Kit	1

SPECIFICATIONS

Air Inlet	½" NPT (female)
Air Outlet	¼" NPS (male)
Air Capacity	120 CFM filter 50 CFM regulator
Max. Pressure	150 PSI
Max. Temperature	150°F (65.6°C)
Filter Size	5 micron

Clean Air™ AIR LINE FILTERS AND CONTROL UNITS

Air Filtration and Regulation Systems Remove Dirt, Oil Vapor, and Water from Air Lines

HAF-518 Quick Facts:


- 1st Stage 5 micron filter
- 2nd Stage .01 micron filter
- Easier maintenance comes with manual flexible drain




Order No.	Model No.	Description
130098	HAF-518	Two-stage filtration system, including centrifugal and coalescer w/ 60 CFM regulator
130041	13-0041	100 CFM air line filter
130042	13-0042	100 CFM air line filter w/ 60 CFM regulator

ACCESSORIES

130093 / HAR-600
60 CFM regulator w/gauge



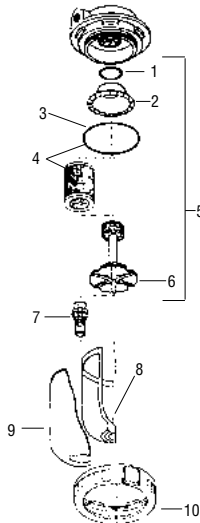
190771 / HAF-18
Automatic drain





Refer to Service Bulletins: SB-6-140, SB-6-147, SB-6-152

130041 (13-0041) 100 CFM Air Line Filter

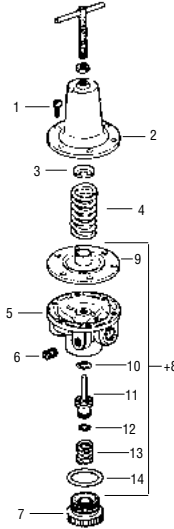


Ref. No.	Order No.	Model No.	Description	Ind. Parts Req.
*1	—	—	Gasket	1
*2	—	—	Baffle	1
●3	—	—	Bowl O-Ring (comes w/#4)	1
4	190727	HAF-6	Filter & O-ring Kit	1
5	190856	HAF-26	Baffle Kit (includes 1,2,& 6)	1
*6	—	—	Element Retainer	1
7	190766	HAF-11	Manual Flexible Drain	1
8	190763	HAF-8	Transparent Plastic Bowl	1
9	191417	HAF-19	Bowl Guard	1
10	190869	HAF-409	Clamp Ring Assembly	1

Optional Accessories

Order No.	Model No.	Description
190564	GA-288	Gauge, 160# – 2" Diameter
190771	HAF-18	Automatic Drain allows maintenance-free drainage
240039	VA-542	Ball Valve
190851	HAF-407	Bracket Assembly for 13-0041 and 13-0042

130059 (HAR-507) 60 CFM Air Regulator

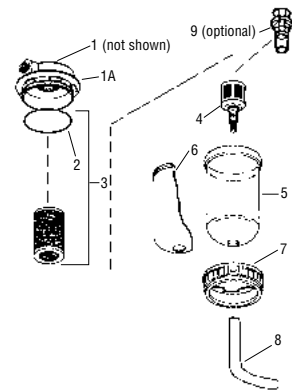


Ref. No.	Order No.	Model No.	Description	Ind. Parts Req.
1	—	—	#10-32x9/16 Fillister Hd. Screw	6
2	191429	HAR-14	Cover	1
3	—	—	Spring Button	1
4	—	—	Diaphragm Spring	1
5	—	—	Body	1
6	—	—	Pipe Plug 1/4" NPT(M)	1
7	—	—	Bottom Plug	1
+8	191554	KK-4977	Repair Kit (Does NOT incl. #5 & #6) (See contents below)	1

+ Regulator Repair Kit 191554 (KK-4977)

Ref. No.	Description	Qty.
9	Diaphragm Assembly	1
10	O-Ring	1
11	Valve	1
12	O-Ring	1
13	Spring	1
14	O-Ring	1

130027 (HAF-505) 55 CFM Coalescing Filter



Ref. No.	Order No.	Model No.	Description	Ind. Parts Req.
1	190883	HAF-404	Filter Change Indicator	1
1A	—	—	Cover	1
2	—	—	O-Ring (comes w/#3)	1
3	190845	HAF-28	Filter & O-Ring Kit	1
4	190771	HAF-18	Automatic Drain (Standard)	1
5	190763	HAF-8	Plastic Bowl	1
6	191417	HAF-19	Metal Bowl Guard	1
7	190869	HAF-409	Clamp Ring	1
8	—	—	1/2 x 3/8 Vinyl Tubing—6 ft.	1
9	190766	HAF-11	Manual Drain (Optional)	1

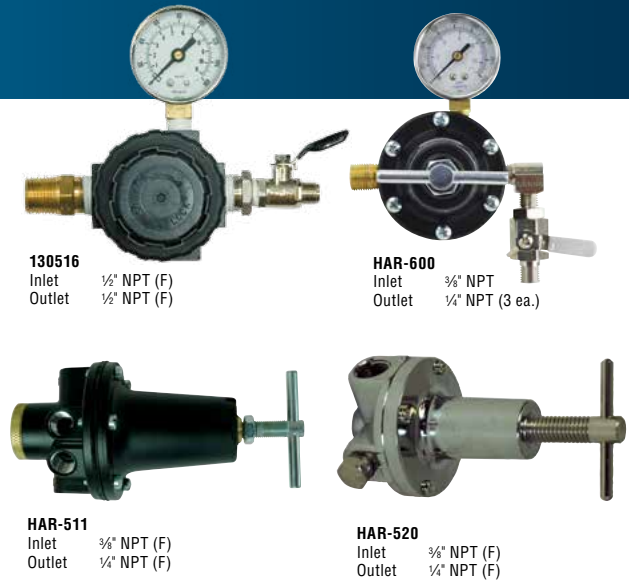
NOTE

The regulator on CleanAir Units manufactured prior to 9/97 was 13-0045 (HAR-506). HAR-600 includes HAR-507 Regulator, GA-288 Gauge and VA-542 Ball Valve.

Air Regulators

For Precise Control of Air Delivery

Order No.	Model No.	Description
130516	130516	75 CFM air regulator, gauge and valve (regulator available separately as 130521)
130093	HAR-600	60 CFM air regulator, gauge and valve (regulator available separately as HAR-507)
192242	HAR-511	60 CFM air regulator — Flow through regulator for pressure tanks
130100	HAR-520	50 CFM air regulator - non-relieving (purchase GA-375 gauge separately)



130516
Inlet 1/2" NPT (F)
Outlet 1/2" NPT (F)

HAR-600
Inlet 3/8" NPT
Outlet 1/4" NPT (3 ea.)

HAR-511
Inlet 3/8" NPT (F)
Outlet 1/4" NPT (F)

HAR-520
Inlet 3/8" NPT (F)
Outlet 1/4" NPT (F)

Refer to Service Bulletins SI-6-18-10 and SB-6-147 and Part Sheet 77-2781

130516

Ref. No.	Model No.	Description	Ind. Parts Req.
1	130521	Regulator Kit	1
2	VA-594	Shut-off Valve	1
3	GA-288	Gauge	1

* Lightly grease with enclosed lubricant

Handtight plus 1/4 turn

130100 (HAR-520)

Ref. No.	Model No.	Description	Ind. Parts Req.
1	HAR-520	Regulator Kit	1
7	KK-5088	Repair Kit	1

192242 (HAR-511)

Ref. No.	Model No.	Description	Ind. Parts Req.
1	—	#10-32x9/16 Fillister Hd. Screw	6
2	HAR-14	Cover	1
3	—	Spring Button	1
4	—	Diaphragm Spring	1
5	—	Body	1
6	—	Pipe Plug 1/4" NPT(M)	1
7	—	Bottom Plug	1
8	—	Diaphragm Assy.	1
9	—	O-Ring	1
10	—	Valve	1
11	—	O-Ring	1
12	—	Spring	1
13	—	O-Ring	1

130093 (HAR-600)

Ref. No.	Model No.	Description	Ind. Parts Req.
1	HAR-507*	Regulator	1
2	GA-288	Gauge	1
3	—	1/4" NPT Street Elbow	1
4	VA-542	Ball Valve	1
5	—	1.4" NPT Plug	1

Air Inlet 3/8" NPT

1/4" NPT Outlet

1/4" NPT Outlet

***HAR-507 Regulator**

Ref. No.	Model No.	Description	Ind. Parts Req.
1	—	#10-32x9/16 Fillister Hd. Screw	6
2	HAR-14	Cover	1
3	—	Spring Button	1
4	—	Diaphragm Spring	1
5	—	Body	1
6	—	Pipe Plug 1/4" NPT(M)	1
7	KK-4977	Repair Kit (incl. # 8-13)	1
8	—	Diaphragm Assy	1
9	—	O-Ring	1
10	—	Valve	1
11	—	O-Ring	1
12	—	Spring	1
13	—	O-Ring	1
14	—	Bottom Plug	1

Ref. No.	Model No.	Description	Ind. Parts Req.
1	—	#10-32x9/16 Fillister Hd. Screw	6
2	HAR-14	Cover	1
3	—	Spring Button	1
4	—	Diaphragm Spring	1
5	—	Body	1
6	—	Pipe Plug 1/4" NPT(M)	1
7	—	Bottom Plug	1
8	—	Diaphragm Assy.	1
9	—	O-Ring	1
10	—	Valve	1
11	—	O-Ring	1
12	—	Spring	1
13	—	O-Ring	1

● Available only as part of KK-4977 Repair Kit; order separately.

Automatic Drain with Y-Strainer Valve



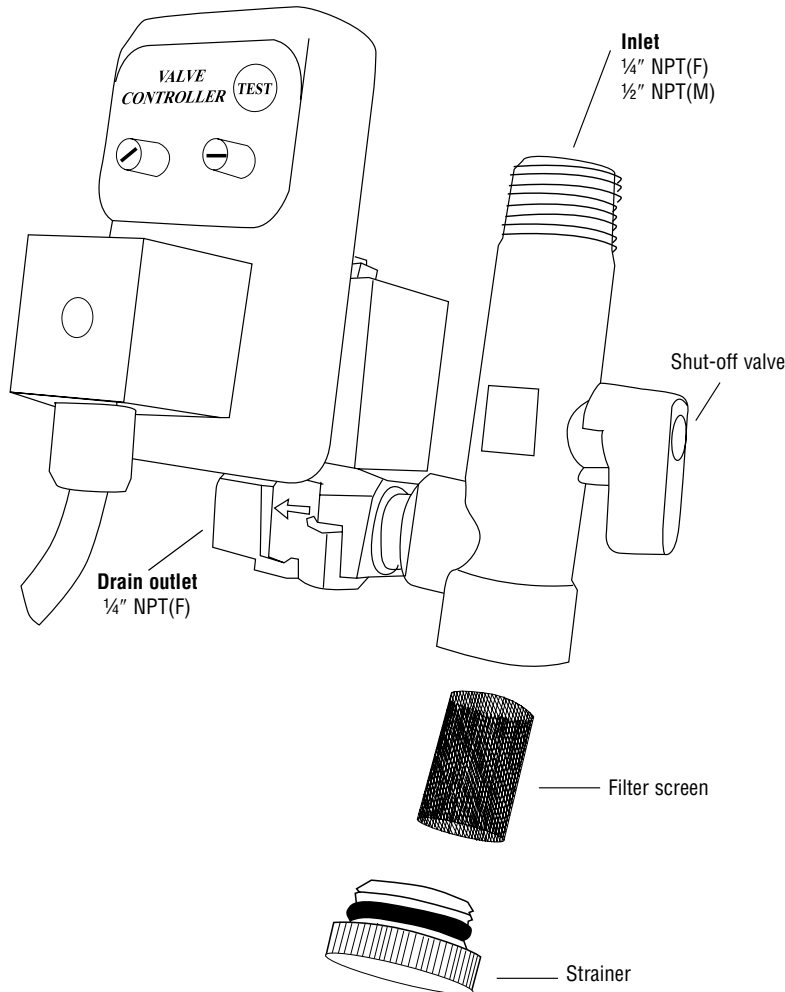
Automatically Drains Water from Compressed Air Systems

- Use with air compressors, water separators and at drop legs — See properly piped shop diagram for install locations (pg. 45)
- Adjustable interval time and drain time
- Removable filter for easy cleaning
- Includes electric timer, 1/4" Y-strainer valve with filter screen and 6 ft. power cord

Order No.	Description
130512	Automatic drain with Y-strainer valve

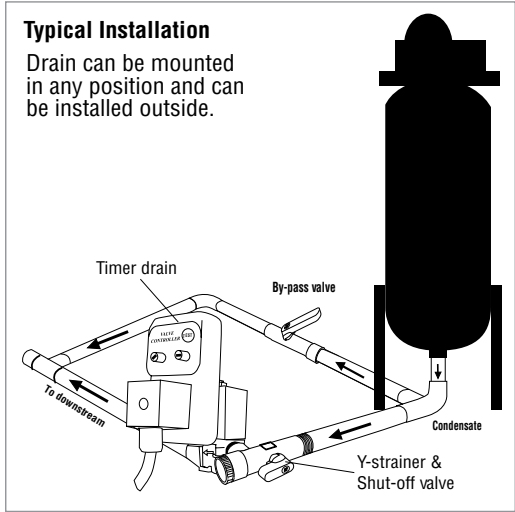


Refer to Service Bulletin: SB-6-184













SPECIFICATIONS:

Timer	
Interval time (T2)	.5 - 45 minutes
Discharge time (T1)	.5 - 10 seconds
Supply voltage	120v/60hz
Current Consumption	4mA Max.
Operating Temperature	-14°F to 122°F
Environmental Protection	NEMA 4
Case Material	ABS Plastic FR Grade
Valve	
Type	2-way direct acting valve
In/Out Ports	1/4" NPT Female
Max. Working Pressure	230 PSI
Operating Temperature	36°F to 131°F Ambient
Media Temperature	194°F Max.
Valve Body	Forged Brass
Mounting	Any Position

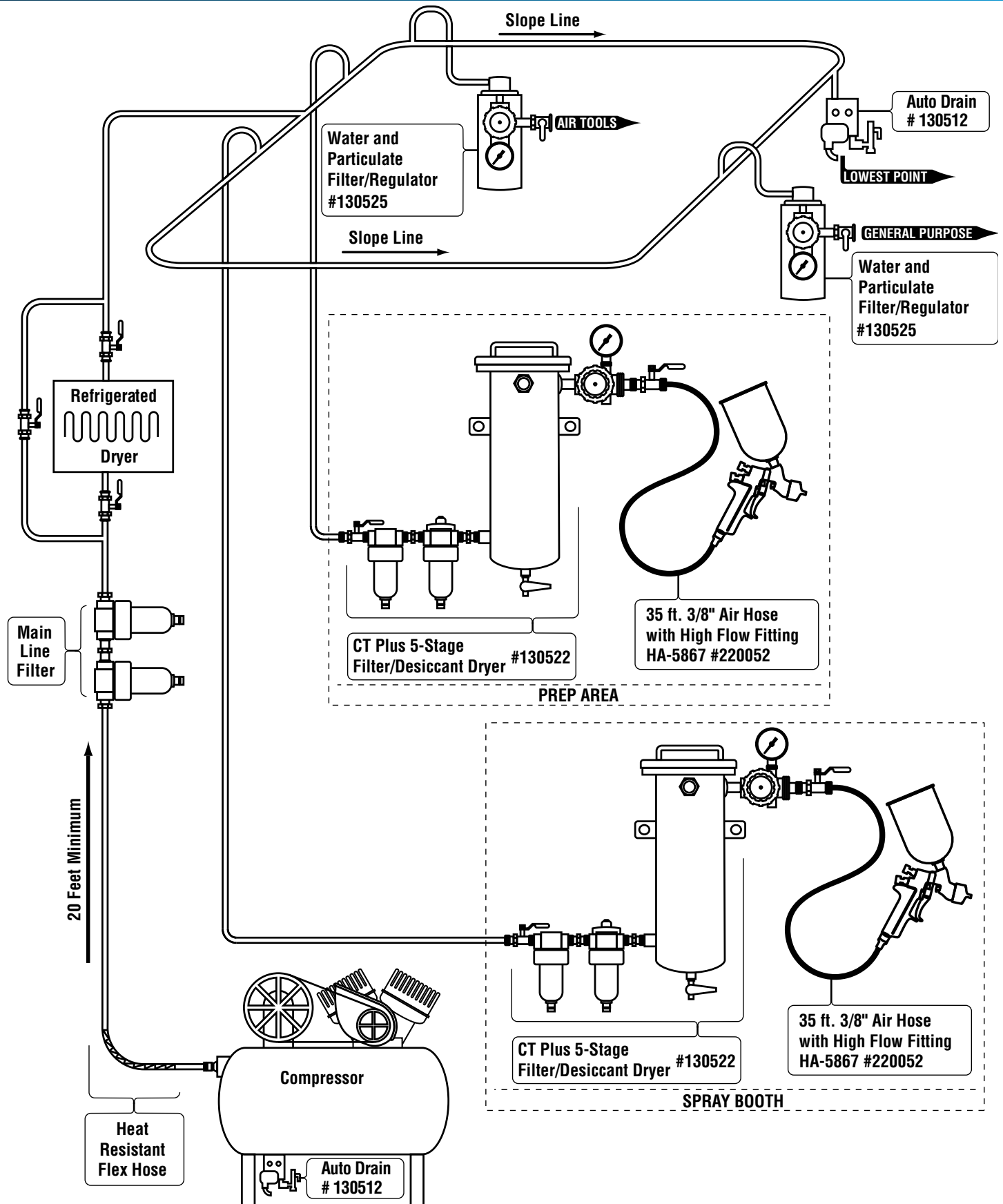


Air Filtration Service Parts from DeVilbiss® Automotive Refinishing

Air Filtration Unit	Order No.	Service Part Description	Replacement Interval
 DeVilbiss® DAD-PRO	130538	 First stage removes oil, water, and dirt down to 5 microns.	Clean as needed, replace only when necessary.
	130539	 Second stage removes oil vapors and dirt particulates down to 0.01 microns.	Replace every 6 months.
	130504	 Quick change desiccant bag removes water vapor from compressed air down to a dew point of -40°F.	Indicator provided Green=OK, Yellow=Replace
 Camair® CT30	130504	 Quick change desiccant bag removes water vapor from compressed air down to a dew point of -40°F.	Indicator provided Green=OK, Yellow=Replace
	130517	 First stage removes water and dirt to 40 microns.	Replace every 3 months
 Camair® CT Plus™	130518	 Second stage removes oil and vapors to .01 microns.	 (Check with air flowing)
	130504	 Quick change desiccant bag removes water vapor from compressed air down to a dew point of -40°F.	Indicator provided Green=OK, Yellow=Replace
	130534	 CT Plus Tune Up Kit contains: 130504 desiccant cartridge, 130517 water filter element, 130518 coalescing filter element and humidity indicator.	Indicator provided Green=OK, Yellow=Replace
	130517	 First stage removes water and dirt to 40 microns.	Replace every 3 months
 Camair® 130523	130518	 Second stage removes oil and vapors to .01 micron.	 (Check with air flowing)
	130517	 First stage removes water and dirt to 40 microns.	Replace every 3 months
 Camair® 130526	130518	 Second stage removes oil and vapors to .01 microns.	 (Check with air flowing)
	130527	 Third stage removes oil vapor and odors.	Replace every 6 weeks
	130525	 Removes water, oil and dirt to 0.1 microns. Kit contains replacement cartridge, O-rings and humidity indicator.	Indicator provided Blue=OK, White=Replace
 Camair® TS-10	130507	 Second stage removes oil and vapors to .01 microns.	Replace every 3 months
	130508	 Complete Tune Up Kit for TS-10. 10 lbs desiccant, coalescing filter, humidity indicator.	Indicator provided Green=OK, Yellow=Replace
 DeVilbiss® 130041 & 130042	HAF-6	 Removes water and dirt to 5 microns.	Replace every 3 months
	HAF-6	 Removes water and dirt to 5 microns.	Replace every 3 months Indicator provided
	HAF-28	 Removes oil and vapors to 0.01 microns.	Green=OK, Red=Replace (check with air flowing)
 DeVilbiss® DAD-500	HAF-6	 First stage removes water and dirt to 5 microns.	Replace every 3 months
	HAF-28	 Second stage removes oil and vapors to .01 microns.	Indicator provided green=OK red=replace (check with air flowing)
	DAD-1	 Third stage removes humidity from the air.	Indicator provided blue=OK pink/white=replace
	DAD-600	 Tune Up Kit for DAD-500. 10 lbs desiccant and filter element	See above for filter change outs
	DAD-600-1	 Complete Tune Up Kit for DAD-500. 10 lbs desiccant, filter element, coalescing filter element	See above for filter change outs
 FinishLine® HAR-602 & Sharpe® 606	HAF-39	 Removes water and dirt to 5 microns.	Replace every 3 months
	HAF-47	 Removes water and dirt to 5 microns.	Replace every 3 months
 Sharpe® 6760	DAD-1	 Third stage removes humidity from the air. 10 lbs Desiccant refill for two 5-lbs changes of Sharpe 6760. Replaces Sharpe 6765-1.	Indicator provided: blue=OK; pink/white=replace (place indicator paper into sight glass)

Sharpe is a registered trademark of Graco Inc.

Properly Piped Shop



Hose

Premium Hose Helps Ensure Premium Paint Jobs

Smooth Cover — Spray and Air Tool Hose

Can be used for all kinds of air-operated equipment. Smooth brick-red cover, synthetic rubber compound tube with high tensile strength braid. Hose offers superior resistance to oil, weathering, ozone and abrasion. Can be used with reusable or permanent crimp connections. Maximum application temperature: 150°F

Nyliner II Fluid Hose

Ideal for use with a wide range of materials such as resins and solvents contained in latices, epoxies, urethanes, alkyds, primers, acrylics, ketone, MEK, acetone, polyesters, silicones, bitumastic coatings, oil and water-based paints, lacquers, latex coatings, toluene, turpentine, naphtha, and many other solvents. Tube is nylon; cover is black neoprene rubber; yarn reinforced. Can be used with permanent crimp or reusable connections. Maximum application temperature: 150°F

For properly piped shop information, see page 45



Air Hose Assemblies

Size I.D.	Hose Assy Order No. Model No.	Length of Hose (feet)	Bulk Hose#	Connection Thread Size	Type of Connection	Connection Nut & Nipple
5/16"	220002 HA-2125	25	H-1921	1/4" NPS (F) Swivel	Three-Piece Reusable	240032 P-HC-4527
5/16"	220004 HA-2150	50	H-1921	1/4" NPS (F) Swivel	Three-Piece Reusable	240032 P-HC-4527
3/8"	220049 HA-5825	25	H-1958	1/4" NPS (F) Swivel	Three-Piece Reusable	240033 P-HC-4528
3/8"	220052 HA-5867	35	H-1958	1/4" NPS (F) Swivel	Three-Piece Reusable	HC-4719 P-HC-4528
3/8"	220054 HA-5835	35	H-1958	1/4" NPS (F) Swivel	Three-Piece Reusable	240033 P-HC-4528
3/8"	220047 HA-5850	50	H-1958	1/4" NPS (F) Swivel"	Three-Piece Reusable	240033 P-HC-4528

HA-5867 HVLP Air Hose Assembly includes HC-4719 High Volume Air Quick Disconnect and HC-4419 Stem.

Fluid Hose Assemblies

Size I.D.	Hose Assy Order No. Model No.	Length of Hose (feet)	Bulk Hose#	Connection Thread Size	Type of Connection	Connection Nut & Nipple
3/8"	220008 HA-7325	25	H-1973-1	3/8" NPS (F)	Three-Piece Reusable	240035 P-HC-4548
3/8"	220040 HA-7335	35	H-1973-1	3/8" NPS (F)	Three-Piece Reusable	240035 P-HC-4548
3/8"	220045 HA-7350	50	H-1973-1	3/8" NPS (F)	Three-Piece Reusable	240035 P-HC-4548
1/4"	220055 HA-7535	35	H-1975-1	3/8" NPS (F)	Three-Piece Reusable	240034 P-HC-4543

Air/Fluid Hose Set (for use with KBII Cup)

Order No. Model No.	Length	Bulk Air Hose	Bulk Fluid Hose	Connection Thread Size	Type of Connection	Connection Nut & Nipple
220019 KB-4006	5' 9"	210002 H-1921		1/4" NPS (F) Swivel	Three-Piece Reusable	240032 P-HC-4527
	6' 3"		210007 H-1975-1	3/8" NPS (F)	Three-Piece Reusable	240034 P-HC-4543

Bulk Hose Chart

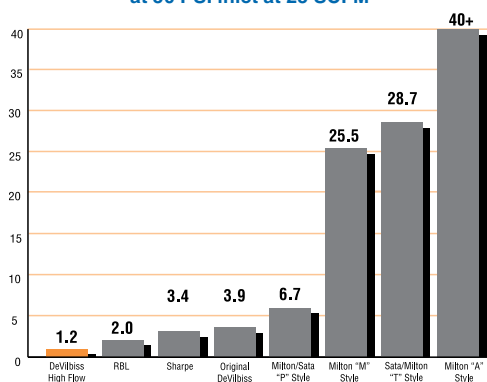
Type of Hose	Size I.D.	Size O.D.	Bulk Hose Model No.	Maximum Working Pressure (PSI)	Feet/Reel	(Order No.)
Smooth	1/4"	1/2"	H-1957	250	500	210003
Cover	5/16"	5/8"	H-1921	250	500	210002
Air	3/8"	11/16"	H-1958	250	500	210004
Nyliner II	1/4"	1/2"	H-1975-1	500	500	210007
Fluid	3/8"	11/16"	H-1973-1	500	500	210006

Hose Fittings

Designed to Optimize Air Flow for Top Spray Gun and Air Tool Performance



Pressure Drop Comparison at 50 PSI inlet at 25 SCFM



The chart above shows test data at 25 SCFM using:

- DeVilbiss high flow HC-4720 coupler, HC-4419 stem.
- RBL 611 coupler, 612 stem.
- Sharpe 8320 coupler, 8330 stem.
- Original DeVilbiss P-HC-4120 coupler, P-HC-201 stem.
- Milton/Sata "P" style 1804 coupler, 1810 stem.
- Milton "M" style S715 coupler, S727 stem.
- Sata/Milton "T" style 784 coupler, 786 stem.
- Milton "A" style S775 coupler, S777 stem.

Reusable Connections

Hose Size and Type



Size I.D.	Size O.D.	Fits DeVilbiss Hose No.	(M) Male (F) Female Connection Thread Size	Straight Connections Female Complete Connection No.
1/4"	1/2"	H-1957 H-1975-1	1/4" NPS (F) 3/8" NPS (F)	P-HC-4523 P-HC-4543
5/16"	5/8"	H-1921	1/4" NPS (F) 1/4" NPS (M)	P-HC-4527 P-HC-4599
3/8"	11/16"	H-1973-1	1/4" NPS (F) 3/8" NPS (F) 1/4" NPT (M)	P-HC-4528 P-HC-4548 P-HC-4955

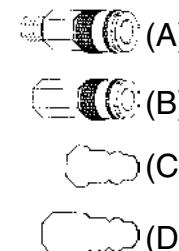
Quick Disconnects - High Flow Ball and Ring Lock Type

(For use with HVLP Spray Equipment)

Connection No.	Order No.	Thread Size
HC-4719 (A)	240147	1/4" NPT (M)
HC-4720 (B)	240148	1/4" NPT (F)

Stem Number	Order No.	Thread Size
HC-1166 (C)	240015	1/4" NPT (M)
HC-4419* (D)	240145	1/4" NPS (F)

*Designed for spray guns. Special cone seat prevents leaks!



Nipples (MBE) Male Both Ends

Part Number	Straight Type Male Thread	Male Thread
AD-31	1/4" NPS	1/4" NPS
H-2008	1/4" NPS	1/4" NPT
H-1446	3/8" NPS	3/8" NPS
AD-11	3/8" NPS	3/8" NPT



Adapters

Part Number	Straight Type Male Thread	Female Thread
AD-404	1/4" NPS	3/8" NPS
P-H-4105	3/8" NPS	1/4" NPS



Valves - Ball Type

Part Number	Thread
VA-540	3/8" NPS (M) x 3/8" NPT (M)
VA-542	1/4" NPS (M) x 1/4" NPT (M)
VA-595	1/2" NPT (M) x 1/2" NPT (M)

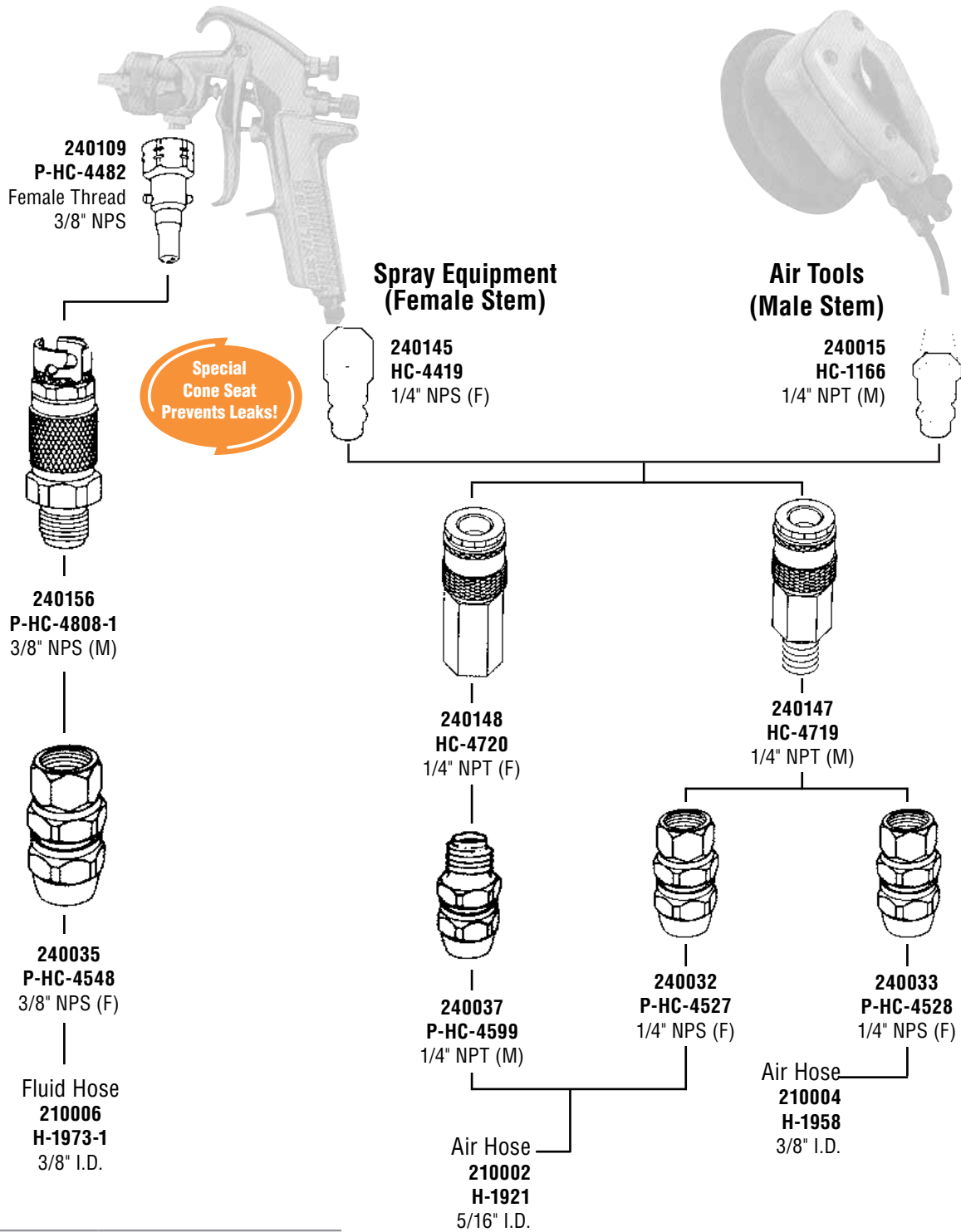


Coupler

Part Number	Thread
SSP-69	1/4" x 1/4" NPT (F)



Hose Fittings



NPT = tapered
NPS = straight
(M) = Male
(F) = Female

Whenever possible, match straight threads with straight threads and tapered with tapered. Otherwise, leakage may occur.

Gun Mounted Air Adjusting Valves, Regulators, and Gauges

HAV-555 Digital Gauge with Air Adjusting Valve Specifications:

- Accuracy to +/- 0.5 PSI
- UL/CSA approved
- Gauge range: 2.5 to 160 PSI
- Auto off after 45 seconds to preserve battery life
- Up to 4 years of battery life, depending on usage

Order No.	Model No.	Max. Inlet Pressure	Max. Reg. Pressure PSI	Air Inlet	Air Outlet
130015	HARG-510	175	100	1/4" NPS (M)	1/4" NPS (F) (Swivel)
180005	HAV-500	175	N/A	1/4" NPS (M)	1/4" NPS (F) (Swivel)
180006	HAV-501	160	0-160	1/4" NPS (M)	1/4" NPS (F) (Swivel)
180089	HAV-511	160	0-160	1/4" NPS (M)	1/4" NPS (F) (Swivel)
803236	HAV-512	100	0-100	1/4" NPS (M)	1/4" NPS (F) (Swivel)
802419	HARG-555	160	100	1/4" NPS (M)	1/4" NPS (F) (Swivel)
803289	DGI-101	160	2.5-160	1/4" NPS (M)	1/4" NPS (F) (Swivel)
803291	HAV-555	160	2.5-160	1/4" NPS (M)	1/4" NPS (F) (Swivel)



HAV-555



HAV-500



HAV-501



HAV-511



HAV-512



HARG-555 Digital



HARG-510

Millennium 3000 Respirators

Extremely Comfortable, Strong and Durable with Sizes to Fit Most Painters and Technicians

NIOSH Approved (TC 23C-87)–Meets OSHA Requirements

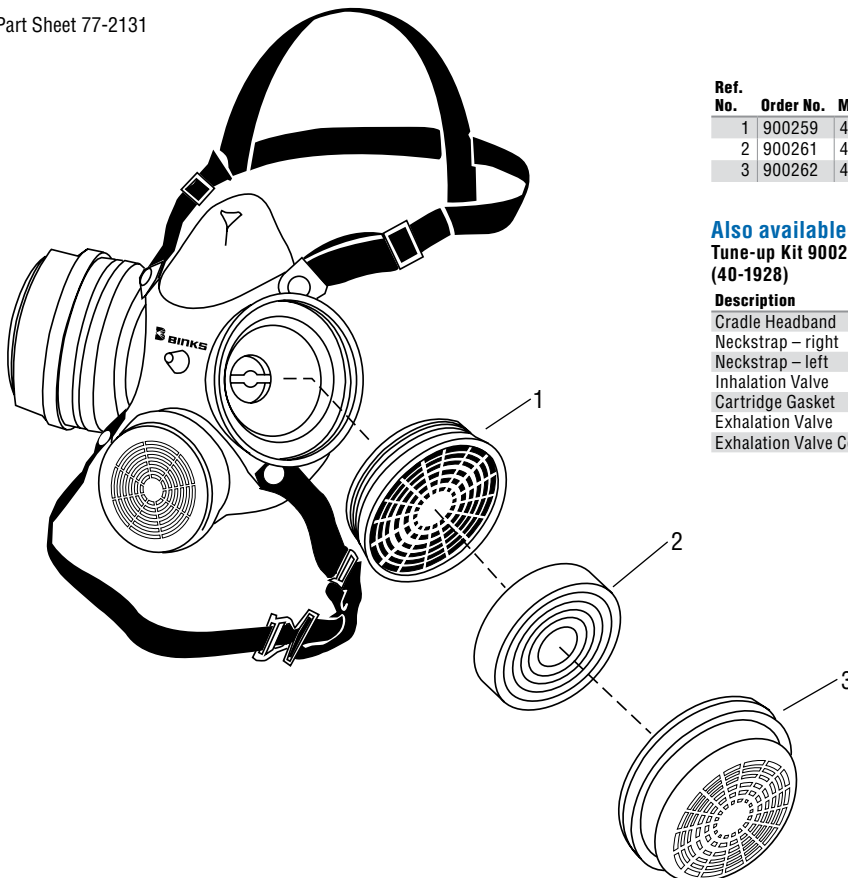


Order No.	Model No.	Size	Replaceable cartridges
900253	40-128	Medium	Yes
900254	40-141	Small	Yes
900255	40-143	Large	Yes



Caution
 Not for use with paints that contain isocyanates. Read and follow all printed warnings. A qualified safety expert or hygienist should be used to select the correct respirator.

Refer to Part Sheet 77-2131



Ref. No.	Order No.	Model No.	Description	Ind. Parts Req.
1	900259	40-1921-10	Cartridge (2/Card, Kit of 10 Cards)	2
2	900261	40-1924-10	Pre-filter (10/Card, Kit of 10 Cards)	2
3	900262	40-1925	Cover (Kit of 2)	2

**Also available:
 Tune-up Kit 900263
 (40-1928)**

Description	Qty.
Cradle Headband	1
Neckstrap – right	1
Neckstrap – left	1
Inhalation Valve	2
Cartridge Gasket	2
Exhalation Valve	1
Exhalation Valve Cover	1

Breathable Air Systems

Breathable Air Filtration

Order No.	Model No.	Description	Removes Dirt to 5 Micron	Removes Liquid Water	Removes Oil Aerosols	Removes Humidity	Removes Odor
130089	DAD-503	3-stage filtration with desiccant air dryer system	Yes	Yes	Yes	Yes	Yes
130087	HAF-601	3-stage filtration system	Yes	Yes	Yes	No	Yes
130096	DAD-504	Desiccant retrofit system	Yes, when used with DAD-500 or HAF-518	Yes, when used with DAD-500 or HAF-518	Yes, when used with DAD-500 or HAF-518	Yes, when used with DAD-500	Yes

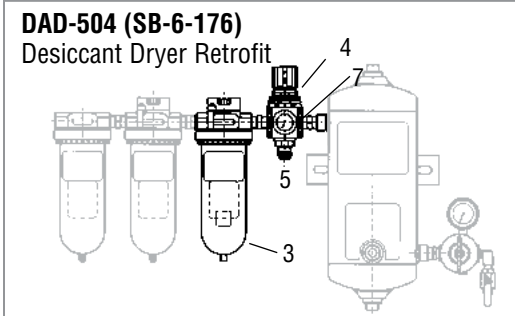
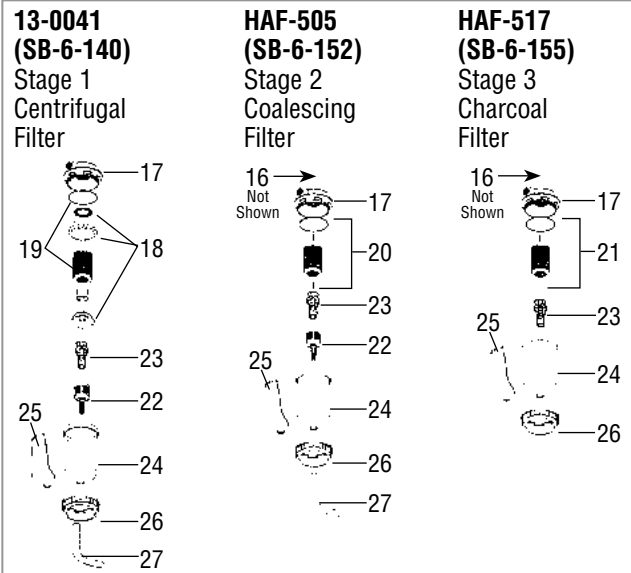
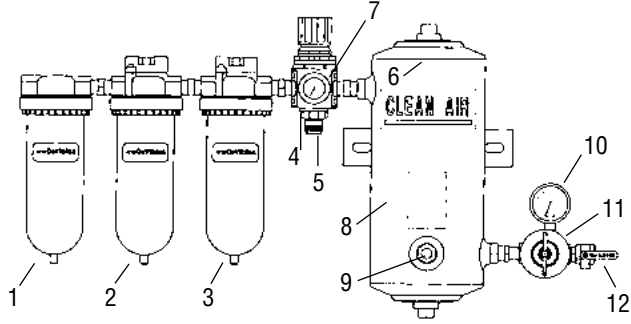


Breathable Air Filtration Units

PARTS AND ASSEMBLY

Refer to Service Bulletins:

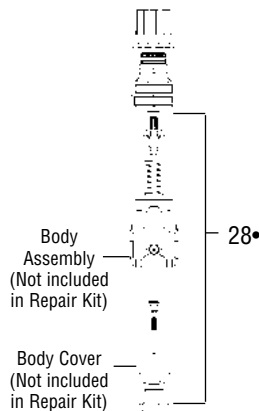
- SB-6-159 DAD-503
- SB-6-132 HAF-601



● **Diaphragm Repair Kit 190938 (KK-5045)**

Description	Qty.
Thrust Washer	1
Adjusting Screw Assembly	1
Main Spring	1
Slip Ring	1
Diaphragm Assembly	1
Valve Assembly	1
Valve Spring	1

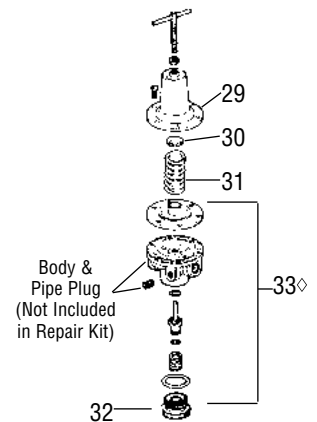
HAR-508 (SB-6-133)
Air Regulator



◇ **Repair Kit 191554 (KK-4977)**

Description	Qty.
Diaphragm Assembly	1
O-Ring	1
Valve	1
O-Ring	1
Spring	1
O-Ring	1

HAR-507 (SB-6-147)
Air Regulator



Ref. No.	Order No.	Model No.	Description	Ind. Parts Req.
1	130041	13-0041	Air Filter/Separator	1
2	130027	HAF-505	Coalescing Filter	1
3	130086	HAF-517	Charcoal Filter	1
4	130091	HAR-508	Flow-Thru Regulator	1
5	190939	MPV-424	Breathable Air Quick Release Socket	1
6	190953	DAD-8	Screen (Not Shown)	2
7	190093	GA-316	Gauge	1
8	190877	PT-417	Desiccant Tank (without desiccant, includes Ref. No. 6)	1
9	190895	DAD-400	Humidity Indicator (1 Humidity Indicator Paper Included)	1
10	190564	GA-288	Gauge	1
11	130059	HAR-507	Air Regulator	1
12	240039	VA-542	Ball Valve	1
13	190831	DAD-1	Replacement Desiccant (Not Shown) (1 Humidity Indicator Paper Included)	1
14	130030	DAD-600	Desiccant Tune-Up Kit (Not Shown) Includes 1 ea: DAD-1, DAD-3, & HAF-6	1
14	802182	DAD-600-1	Desiccant Tune-Up Kit (Not Shown) Includes 1 ea: DAD-1, DAD-3, HAF-6 & HAF-28	1
15	190939	MPV-424	Quick Release Socket (Not Shown)	1
16	190883	HAF-404	Filter Change Indicator (Not Shown)	1
17	—	—	Cover	1
18	190856	HAF-26	Baffle Kit	1
19	190727	HAF-6	Filter & O-Ring Kit	1
20	190845	HAF-28	Filter & O-Ring Kit	1
21	190937	HAF-36	Filter & O-Ring Kit	1
22	190771	HAF-18	Automatic Drain (Standard)	1
23	190766	HAF-11	Manual Drain (Optional)	1
24	190763	HAF-8	Plastic Bowl	1
25	191417	HAF-19	Metal Bowl Guard	1
26	190869	HAF-409	Clamp Ring	1
27	—	—	1/2 x 3/8 Vinyl Tubing, 6 ft.	1
●28	190938	KK-5045	Diaphragm Repair Kit	1
29	191429	HAR-14	Cover	1
30	—	—	Spring Button	1
31	—	—	Diaphragm Spring	1
32	—	—	Bottom Plug	1
◇33	191554	KK-4977	Repair Kit	1

DeVilbiss® Clean

DeVilbiss
CLEAN™

DeVilbiss® Reusable Coverall

Order No.	Size
803596	Medium
803597	Large
803598	XL
803599	3XL



DeVilbiss® Disposable Coverall

Order No.	Size
803671	Medium
803672	Large
803673	XL
803674	3XL



DeVilbiss® Hooded Lab Coat

Order No.	Size
803664	Medium
803665	Large
803666	XL
803667	3XL



DeVilbiss® Dirt Control Floor Coat

- Significantly reduces buffing time caused by dirt in paint jobs
- Reduces airborne particles in a spray booth by trapping them to booth floor
- Can be used in concrete floor paint booths, ideal for shops spraying waterborne (not for use with painted concrete, tile, or grated floors)

Order No.	Description
803491	Dirt Control Floor Coat (5 gal.)
803492	2-gallon Pump Sprayer



DeVilbiss® Booth Wall Coat

- Protects paint booth surfaces from paint overspray
- Sprayable masking liquid
- Peels off easily

Order No.	Description
803668	Booth Wall Coat (1 gal.)



DeVilbiss® Clear Glass Coat

- Peelable glass surface coating

Order No.	Description
803669	Clear Glass Coat (1 quart)



Flame Retardant Booth Paper

Highly Absorbent

- Suitable for floor, wall and equipment cover while spraying

Size: 60" x 300'

Order No.	Model No.	Description
900115	29-836	Flame Retardant Booth Paper



DeVilbiss® Clean



DeVilbiss® Bumper Prep Pad

- Clean, abrade and degrease in one easy step
- Reduces steps in bumper prep process to increase efficiency
- Provides comprehensive abrasion for better adhesion

Order No.	Description
803557	All-In-One Bumper Prep Pad (1 per pkg.)



DeVilbiss® Paint Prep Wipes

- Virtually lint free
- Waterborne compatible
- 1/4 Fold format - ready to use
- Strong, absorbent non-woven materials
- 300/carton

Order No.	Model No.	Description
DC-101	803657	Paint Prep Wipes



DeWipe-Outs® Pre-Saturated Prep Wipe

- 11" x 17" each
- 50 wipes per pouch
- Reduces buffing
- "Static Killer" formula reduces static charge and static-related dirt

Order No.	Description	Application
803045	85% IPA/15%DI Water	Most climates
803046	50% IPA/50%DI Water	Warmer/drier climates or heated spray booths
803418	Acetone blend, California exempt	VOC compliant California blend
803048	Storage case w/lid gasket and snap closure	Must be used w/803048 storage case



TACK WIPE® By DeVilbiss

- Compatible with all paints
- Non-toxic
- Wax and silicone-free
- Engineered to leave no residue
- Use to remove dirt, dust and sanding particulates from surface

Order No.	Model No.	Description
803816	TCK-101-K12	Cotton Tack Wipe
803817	TCK-121-K12	Polyester Tack Wipe



DeVilbiss® Anti-Static Wiper

- Dry wiper reduces paint defects caused by static imbalance
- Neutral surface eliminates issues caused by dirt and airborne particles, allows for better metallic orientation and flow of clearcoats
- Use before sealer, base or clearcoats—no marring
- For both waterborne and solvents

Order No.	Description
803553	Anti-Static Wiper (1 per package)



DeVilbiss® Clean

DeVilbiss
CLEAN™

SHIM-MASK®
By DeVilbiss

Ideal for:

- Paint and clearcoat runs
- Imperfections
- Minimizing exposed area when sanding paint-filled chips or scrapes
- 3 per package

Order No.	Description
803654	Shim-Mask



Demo Kits

Order No.	Description
803853	Clean Kit Low VOC Includes: Bumper Prep Pad (2), Paint Prep Wipe Sample Pack, Cotton Tack Wipe (6), Poly Tack Wipe (6), DeWipe-Outs Low VOC, Storage case w/lid gasket & snap closure, Anti-Static Wipe (2), Large Disposable Coverall, XL Disposable Coverall, Medium Disposable Coverall, SHIM-Mask®, SOP Poster
803854	Clean Kit Normal Climate Includes: Bumper Prep Pad (2), Paint Prep Wipe Sample Pack, Cotton Tack Wipe (6), Poly Tack Wipe (6), DeWipe-Outs 85/15 blend, Storage case w/lid gasket & snap closure, Anti-Static Wipe (2), Large Disposable Coverall, XL Disposable Coverall, Medium Disposable Coverall, SHIM-Mask®, SOP Poster
803855	Clean Kit Dry Climate Includes: Bumper Prep Pad (2), Paint Prep Wipe Sample Pack, Cotton Tack Wipe (6), Poly Tack Wipe (6), DeWipe-Outs 50/50 blend, Storage case w/lid gasket & snap closure, Anti-Static Wipe (2), Large Disposable Coverall, XL Disposable Coverall, Medium Disposable Coverall, SHIM-Mask®, SOP Poster

DeVilbiss
CLEAN™

TRANSFORM YOUR PAINT JOBS FROM ACCEPTABLE TO EXCEPTIONAL

The DeVilbiss CLEAN™ products system offers an integrated best practices approach, providing contamination control solutions in the critical areas of Compressed Air Filtration, Technician & Spray Booth particle control, and refinish Surface Prep.

DeVilbiss CLEAN™ has been developed to reduce cycle times to increase productivity and throughput by helping shops eliminate contamination in refinish work that costs valuable rework time and materials.

Refinishing operations that adopt these cutting edge technologies not only can lower costs and improve productivity and quality, but just as importantly take a big step forward to exceed customer expectations and boost critical CSI scores.



Desiccant Snake and Indicator



Disposable, In-Line Desiccant Air Dryer

- A unique design that combines desiccant drying with built in dirt and oil aerosol filters
- Effective with both HVLP and Conventional spray equipment
- 200 PSI maximum
- 150° F maximum

Humidity Indicator Alerts Painter to Humidity in the Air Line

- Recommended for use with Desiccant Snake

Order No.	Description
130502	DS20 Desiccant Snake
130503	RHI-01 Humidity Indicator



Desiccant Charge & TS-10 Tune-Up Kit

Desiccant Charge (10 lbs.)

Order No.
130506

TS-10 Tune-Up Kit

Order No.
130508

Includes:

- 10 lbs. desiccant charge
- Humidity indicator
- Coalescing filter

Keep Your TS-10 and Other Desiccant Systems Performing Like New!

Order No.	Description
130506	10lbs. desiccant charge
130508	TS-10 tune-up kit (10lbs. desiccant charge, humidity indicator, coalescing filter)



Replacement Desiccant Cartridge



Order No.
130504



Aerodry® Paint Dryer



Order No.	Description
130530	Dryer Gun

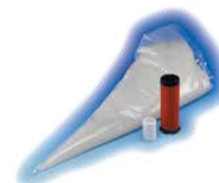


DAD Desiccant Refill & Tune-Up Kits

A Well-Maintained DAD-500 Helps Eliminate Paint Defects

Desiccant Tune-up Kit

Order No.	Model No.	Description
802182	DAD-600-1	Desiccant refill, 1st stage filter element, 2nd stage coalescing filter element
130030	DAD-600	Desiccant refill, 1st stage filter element
190831	DAD-1	Desiccant refill



Whirlwind™ Disposable Air Filter

DeVilbiss Whirlwind: Longer Life and Less Pressure Drop

Patented Two-Stage Filter:

Stage 1- Swirl Chamber:
Removes large water droplets

Stage 2- Filter Media:
Removes smaller water droplets, oil droplets, and dirt particles

All Other Competitive Filters:

- Water droplets saturate the filter media — shortening the life of the filter
- Smaller inlet surface area increases pressure drop

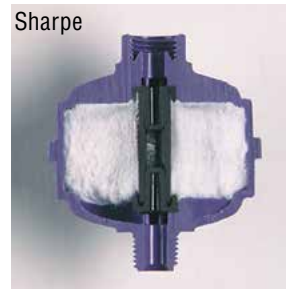
Order No.	Model No.	Description
130028	HAF-507	Whirlwind Filter (order qty. 12)
130095	HAF-507-K2	Whirlwind Filter 2 pack (order qty. 6)



Can be used with all HVLP spray guns

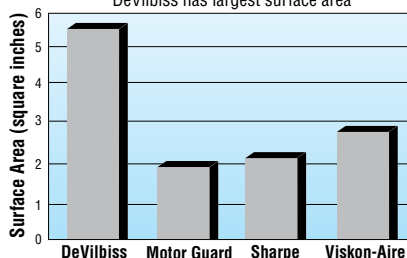


Cross-section view of filters



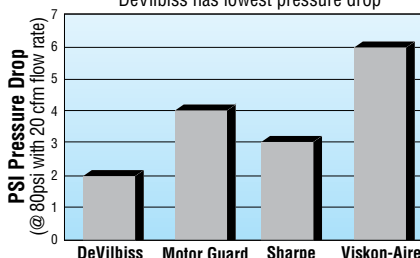
FILTER ELEMENT INLET SURFACE AREA

Larger area = longer life & less pressure drop
DeVilbiss has largest surface area



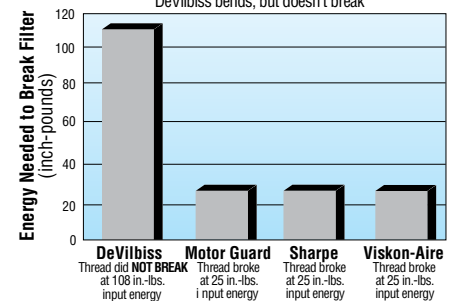
FILTER PRESSURE DROP

Lower drop = better flow
DeVilbiss has lowest pressure drop



FILTER TOUGHNESS

Energy needed to break male thread. More energy= stronger
DeVilbiss bends, but doesn't break



Scrubs® HAND CLEANER TOWELS

Order No.
192218
Bucket of 72 Scrubs

Pre-moistened, Heavy-Duty Towels Easily Remove Soil from Your Hands

- Portable and convenient.
- Conditions and softens.
- Use on tools, equipment and work surfaces.
- Works fast on dirt, oils, adhesives, lubricants, paints, grease, tar, urethanes, epoxies, inks and dyes, sealants and caulks.



For Automotive
Collision Repair
Technicians

AF Filters™ Exhaust Air Filters

Order No. Model No.
900113 29-356
(pack of 3 filters)

High Holding Capacity for All Dry Spray Booths



Size: 3' x 30'
90 sq. ft. of surface area/8 pleats per foot

Average Removal
Efficiency: 98.1%

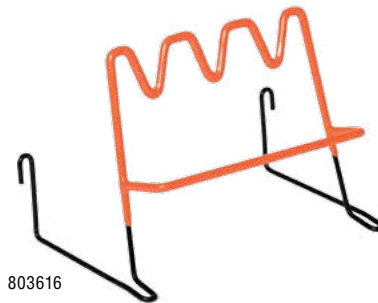
Gravity Spray Gun Holders

Gravity Gun Holders

Order No.	Description
192219	Wall Mount Gun Holder Protective coating prevents scratches on gravity cups
803616	Multi Spray Gun Holder



192219



803616

HGS Fluid Regulator

Order No. Model No.
130090 HGS-5242

Regulates pressure from 2–50 PSI

- 3/8" NPS (M) fluid inlet
- 3/8" NPS (F) swivel fluid outlet
- Regulates pressure from 2-50 PSI



Gun Fluid Tube

Order No. Model No.
180042 JGA-444

Prevents Fluid Hose from Dragging over Work and Twisted Lines

- 3/8" NPS thread
- Keeps hose from dragging over work and prevents twisted lines



*Does not fit FLG or ProLite Pressure Guns

Fluid Strainers

Order No.	Model No.	Application	Description	Max. Working Pressure
190181	KGP-5-K5	Gravity Cup	Fluid Strainer	N/A
240129	PLH-MF-6-100	Pressure Gun	Fluid Strainer	250 PSI
180073	VS-532	Pressure Gun	Fluid Strainer	300 PSI
191925	VS-58-K10	Replacement screen for VS-532	Screen-100 Mesh	N/A
240131	PLH-MFC-100	Replacement screen for PLH-MF-6-100	Screen-100 Mesh	N/A



Professional Spray Gun Cleaning Kit

Order No.
192212



DeKones Paint Strainers

DeKONES
by DeVilbiss

Clean. Fast. Efficient.

Premium Paint Strainers

Patented Design

- No contamination – all gluing and imprinting done on outside
- No double meshed tip – eliminates unstrained paint passing through the tip
- Fast and strong

Nylon Strainers

- Lint free
- Consistent mesh sizes for optimum filtration

Order No.	Description
802351	Nylon – Fine, 190 micron, 100/box, (Order qty. 10)
802353	Nylon – Fine, 190 micron, 250/bag, 1000/case
802352	Nylon – Medium, 226 micron, 100/box, (Order qty. 10)
802852	Nylon – Superfine, 125 micron, 250/bag, 1000/case
803253	Nylon – Superfine, 125 micron, 100/ctn



* Waterborne compatible when using a plastic or disposable cup system.



Gauge Reference Chart

Gauge Model	Scale (PSI)	Thread Size	Diameter	Port Location
GA-313	0–15	1/8 NPT (M)	1 1/2"	Bottom
GA-355	0–30	1/8 NPT (M)	1 1/2"	Bottom
83-1355	0–100	1/4 NPT (M)	2 1/16"	Bottom
83-2727	0–100	1/4 NPT (M)	2 3/16"	Bottom
83-1290	0–150	1/4 NPT (M)	2 1/16"	Bottom
GA-338	0–160	1/8 NPT (M)	1 1/2"	Back
GA-288	0–160	1/4 NPT (M)	2"	Bottom
GA-316	0–160	1/4 NPT (M)	2"	Back
GA-375	0–160	1/4 NPT (M)	2"	Top (Inverted)
DGI-101	2.5–160	1/8 NPT (M)	1 1/4" x 1 3/4"	Back

Gun Wrenches

Order No.	Model No.	Description
702740	702740	10mm and 14mm wrench, for use with TEKNA® spray guns
180008	WR-103	Contains all necessary sizes for use with all DeVilbiss guns and many other brands
900712	54-3918	For use with M1-G, M1-G Clear and Mach 1 HVLP spray guns
900431	5-476	For use with 2001 spray gun (not shown)
802531	SPN-5-K	For use with CVi (not shown)



Gravity Spray Gun Cup Lids

Order No.	Model No.	Description
190944	GFC-404-K2	Disposable Lid Kit for GFC-502 and 702576 gravity cups (Kit of 2)
190225	GFC-402	Lid Assembly Kit for GFC-501 gravity cup



Spray Gun Lube

Order No.	Model No.	Description
181001	SSL-10	Spray Gun Lube

- Contains no silicone or petroleum distillates
- Compatible with all paint materials
- 2 oz. bottle





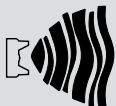


Paint Strainers



Order No.	Model No.	Description	Pkg. Qty.
901441	81-82	White Fine Mesh – 145 (100 Micron)	5
901442	81-83	Blue Medium Mesh – 100 (149 Micron)	5
901443	81-84	Red Coarse Mesh – 80 (177 Micron)	5

Troubleshooting

Condition	Cause	Correction
Heavy top or bottom pattern 	Horn holes plugged. Obstruction on top or bottom of fluid nozzle. Cap and/or nozzle seat dirty.	Clean. Ream with non-metallic point. Clean. Clean.
Heavy right or left side pattern 	Left or right side horn holes plugged. Dirt on left or right side of fluid nozzle. Remedies for the top-heavy, bottom-heavy, right-heavy, and left-heavy patterns: 1. Determine if the obstruction is on the air cap or the fluid nozzle. Do this by making a test spray pattern. Then, rotate the cap one-half turn and spray another pattern. If defect is inverted, obstruction is on the air cap. Clean air cap as previously instructed. 2. If the defect is not inverted, it is on the fluid nozzle. Clean nozzle. Check for a fine burr on the edge of the fluid nozzle. Remove with #600 wet or dry sandpaper. 3. Check for dried paint just inside the cap center hole opening. Remove by cleaning.	Clean. Ream with non-metallic point. Clean.
Heavy center pattern 	Material flow exceeds air cap's capacity. Atomizing pressure too low. Material too thick.	Thin or lower fluid flow. Increase pressure. Thin to proper consistency.
Split spray pattern 	Fluid adjusting knob turned in too far. Insufficient material flow Atomization air pressure too high. Too much fan air.	Back out counter clockwise to achieve proper flow. Increase fluid pressure (pressure feed) Reduce air pressure. Turn fan adjust in to reduce.
Jerky or fluttering spray 	Loose or damaged fluid tip/seat.* Material level too low. Container tipped too far. Obstruction in fluid passage. Loose or broken fluid tube or fluid inlet nipple. Dry or loose needle packing nut.	Tighten or replace. Refill. Hold more upright. Clean. Tighten or replace. Lubricate or tighten.
Will not spray	No air pressure at gun. Needle adjusting screw not open enough.	Check air supply and air lines. Open needle adjusting screw.
Excessive overspray (spray mist)	Too much atomization air pressure. Gun too far from work surface. Improper stroking (arching, gun motion too fast).	Reduce pressure. Adjust to proper distance. Move at moderate pace, parallel to work surface.
Dry spray	Air pressure too high. Gun too far from work surface. Gun motion too fast. Gun out of adjustment.	Decrease air pressure. Adjust to proper distance. Slow down. Adjust.
Fluid leaking from packing nut	Packing nut loose. Packing worn or dry.	Tighten; do not bind needle. Replace or lubricate.
Fluid leaking or dripping from front of gun	Foreign matter in tip.* Packing nut too tight. Dry packing. Fluid tip or needle worn or damaged. Needle spring deformed or broken.	Clean. Adjust. Lubricate. Replace tip and needle with lapped set. Replace.
Runs and sags	Too much material flow. Material too thin. Gun tilted on an angle, or gun motion too slow.	Adjust gun or reduce fluid pressure. Mix properly or apply light coats. Hold gun at right angle to work and adapt to proper gun technique.
Thin, sandy coarse finish, drying before it flows out	Gun too far from surface. Too much air pressure. Improper thinner being used.	Check distance. Normally 6–8" (152–203 mm). Reduce air pressure and check spray pattern. Follow paint manufacturer's mixing instructions.
Thick, dimpled finish "orange peel" Too much material coarsely atomised.	Gun too close to surface. Air pressure too low or too much material. Improper thinner being used. Material not properly mixed. Surface rough, oily, dirty.	Check distance. Normally 6–8" (152–203 mm). Increase air pressure or reduce fluid flow. Follow paint manufacturer's mixing instructions. Follow paint manufacturer's mixing instructions. Properly clean and prepare.
Excessive fog	Too much or too-fast-drying thinner. Too much atomization air pressure.	Remix properly. Reduce pressure.
Unable to get round spray	Spreader valve not seating properly. Air cap retaining ring (nut) loose.	Clean or replace. Tighten.

*Most common problem.

The logo features the word "DEVILBISS" in a large, bold, italicized sans-serif font. Below it, the words "AUTOMOTIVE REFINISHING" are written in a smaller, all-caps, italicized sans-serif font. The text is white and positioned on the right side of a thick white horizontal bar that spans the width of the page.

DEVILBISS
AUTOMOTIVE REFINISHING

email: askus@carlisleft.com

Customer Service: 800.445.3988

www.autorefinishdevilbiss.com

©2018 DeVilbiss Automotive All rights reserved • Form No. AR-2018 • Litho in U.S.A. 1/18