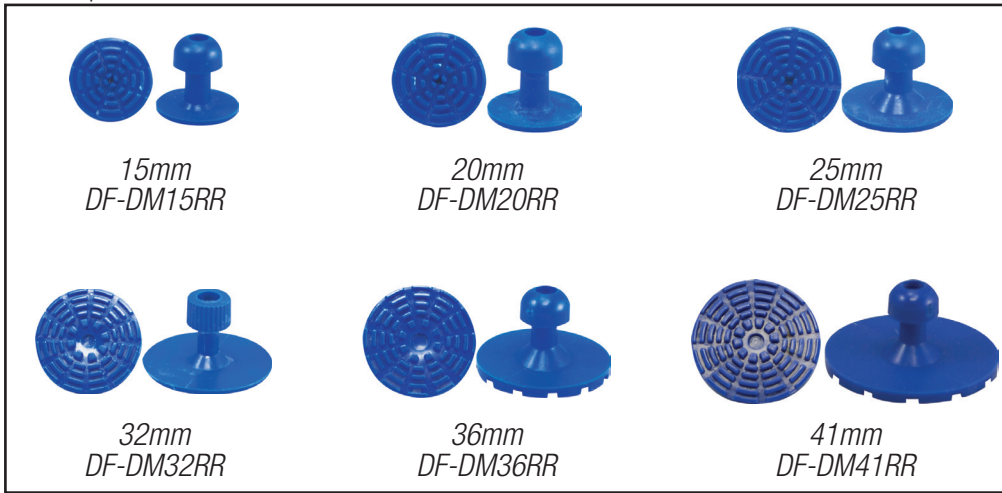
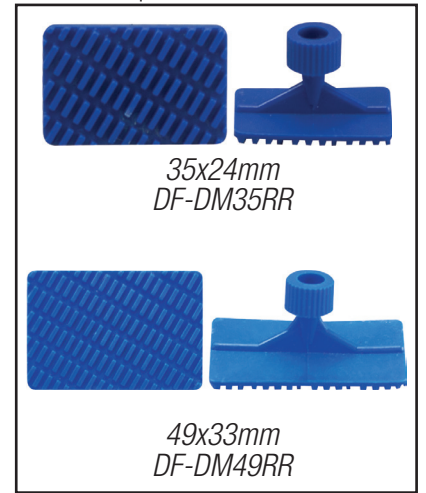


DENT FIX EQUIPMENT REPLACEMENT PDR NIBS

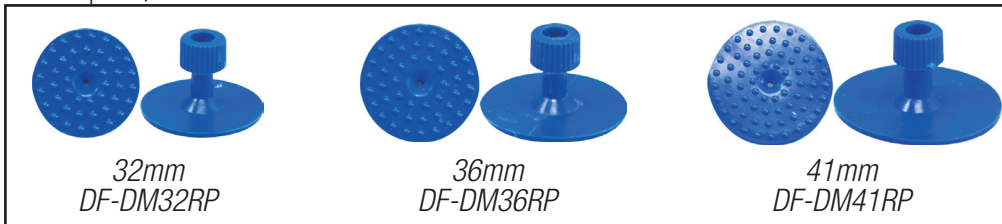
Round | Ridge



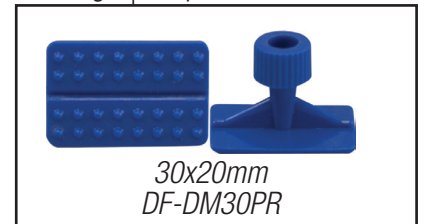
Rectangle | Ridge



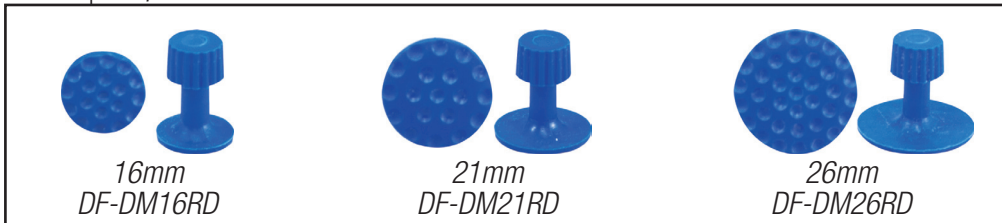
Round | Pimple



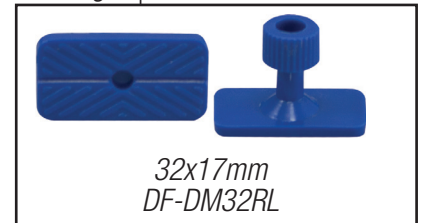
Rectangle | Pimple



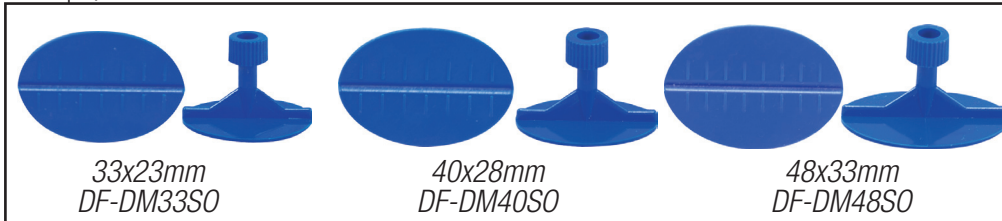
Round | Dimple



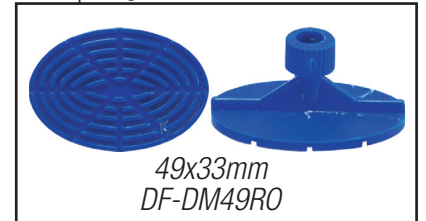
Rectangle | Lines



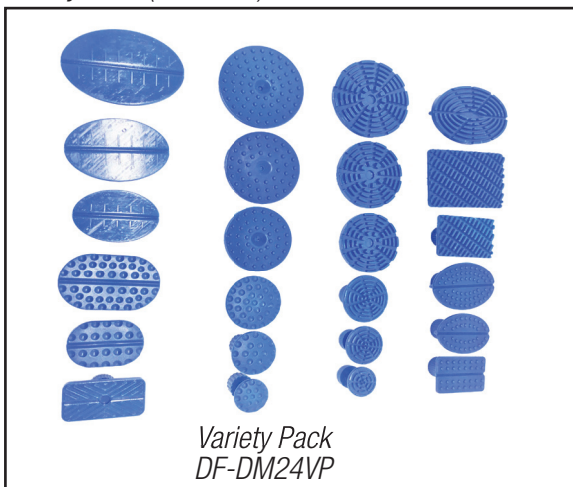
Oval | Spine



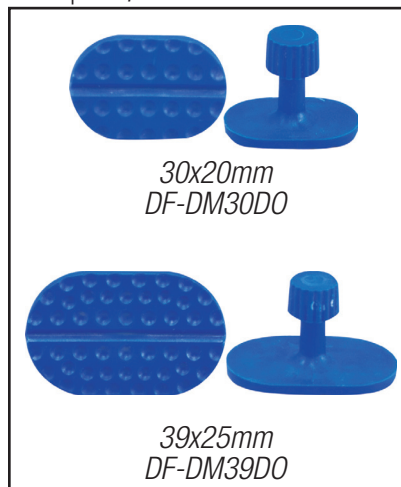
Oval | Ridge



Variety Pack (1 of each)



Oval | Dimples



Oval | Pimple

