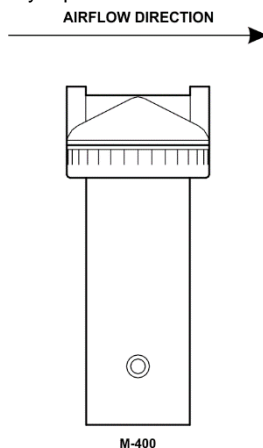


# MOTOR GUARD CORPORATION

# MODEL M-400 SAHARA DESICCANT DRYER

## INSTALLATION

The Motor Guard M-400 Sahara Desiccant Dryer delivers extremely dry air to the spray booth, as low as -40F dew point. Each unit features a 2 quart desiccant charge that is easily replaced.



### FEATURES

- 2-Quarts Silica Gel Color Change Desiccant
- Visible desiccant indicator turns from blue to pink when desiccant needs to be changed
- Easy service and Desiccant replacement
- High capacity bowl

### SPECIFICATIONS

Maximum Airflow:	30 CFM
Operating Temperature Range:	40 -120 F
Maximum Inlet Pressure:	250 PSI

Before installing unit, relieve upstream pressure completely. Install unit in main air supply line with at least 20 feet of supply line between unit and compressor. Failure to maintain this distance will cause excessive water vapor to pass through unit. Unit is designed for installation in a 1/2" line; use appropriate fittings for installation in other line sizes. Apply pipe thread compound to male thread connections. Install unit level and in direction of airflow as noted. Unit should be mounted to a rigid structure.

**WARNING: This product is intended for use in industrial compressed air systems only. Do not install where pressures or temperatures can exceed those listed above.**

Remove bowl from M-400 Dryer by turning ring counter-clockwise and fill with 2 quarts of desiccant beads. Take care when replacing bowl that O-ring remains in place in head of unit. Petroleum jelly may be used to hold O-ring in place.

Before pressurizing, be sure bowls are turned fully clockwise. Pressurize slowly to avoid high-pressure surge.

## OPERATION

Pressurize unit slowly and avoid high pressure surge.

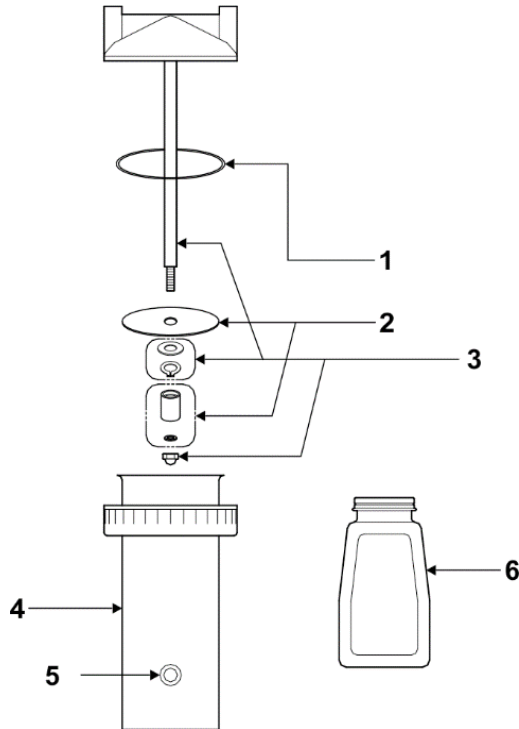
Inspect daily for leaks.

Check desiccant indicator daily and replace desiccant when indicator is pale pink in color.

## MAINTENANCE

**WARNING: Shut off air supply and drain residual pressure before attempting to service any part of the system!**

When desiccant visible in sight dome is pale pink in color, replace desiccant by turning bowl ring CCW . Remove used desiccant material and replace with 2 quarts of dry (blue) desiccant. Check and clean exhaust tube by removing acorn nut, gasket and filter. Clean or replace filter as needed. When replacing filter, also replace upper (white) dispersion filter by removing retaining ring and sliding off tube. When reinstalling element, note proper location of gasket. Wash sludge and sediment from bowl with warm, soapy water. Inspect O-ring and replace if damaged or distorted. Reassemble bowl, taking care not to damage threads. Take care when replacing bowl that O-ring remains in place in head of unit. Petroleum jelly may be used to hold O-ring in place. Remove spent desiccant from sight dome by turning ring CCW. Replace with dry desiccant beads and reinstall dome.



### Replacement Parts

Key	Part No.	Ord. No.	Description	Qty.
1	106-10	21060	Seal	1
2	EL4016	74016	Replacement Element Kit	1
3	RK4037	74037	Repair Kit	1
4	EL4005	74005	Bowl Kit with O-Ring	1
5	RK4014	74014	Sight Dome Kit	1
6	M-4095-Q	04094	Desiccant Quart	2

## LIMITED WARRANTY

Motor Guard Corporation assumes the responsibility of providing equipment that is free from defects in workmanship and material. Should this product fail due to a defect in workmanship or material, Motor Guard Corporation will repair or, at its option, replace the product without charge, other than the transportation charges, provided that the product is returned to the factory, transportation prepaid, within one year of the date of purchase. Please contact Motor Guard Corporation for return authorization and shipping instructions.

This limited warranty does not cover damage to the product due to neglect, misuse or accident, nor does it cover any loss, damage or expense, either direct, indirect or consequential, arising from the non-function of this product. This limited warranty notice replaces any other warranty information, implied or otherwise, enclosed with this product or appearing in literature referring to this product.