

# MOTOR GUARD

## HIGH TECH AIR PREPARATION SYSTEM

NEW FROM MOTOR GUARD

### MODEL MHT-7000

#### FOUR STAGES OF AIR PREP IN A SINGLE SYSTEM

**Motor Guard** has introduced the most advanced air preparation system for spray booths and critical refinishing operations. The **Motor Guard High Tech Air Preparation System (MHT-7000)** offers four stages of air prep in a single unit and provides for the quickest, cleanest cartridge change in the industry.

#### *Water Trap & High Efficiency Filter*

The **MHT-7100 Compressed Air Filter** is a high-volume water trap combined with a particulate and oil filter that features Motor Guard's exclusive hydrophilic depth cartridge which filters to an incredible .01 micron rating. The cartridge was developed to trap oil, water and particulates in between the tightly wound sheets of high-efficiency media. A drop-in replacement cartridge (**M-710**) and spin-off T-handle provide for a rapid cartridge change.



MHT-7000 AIR PREPARATION SYSTEM

#### *Oil Adsorber & Desiccant Dryer*

The **MHT-7200 Compressed Air Desiccant Dryer** features a unique cartridge that combines an activated carbon inner element to remove oil vapor to <.003 ppm with a high-capacity silica gel desiccant dryer that delivers an incredible -40°F dew point to the spray booth. Two full quarts of silica gel desiccant beads ensure a long filter life and a sealed, disposable cartridge (**M-720**) and spin-off T-handle provide for a quick and clean cartridge change. A color-change (blue to pink) sight glass signals the need to replace both cartridges.

The **MHT-7300 Compressed Air Precision Regulator** is a high-quality, true diaphragm regulator designed to set and hold outlet pressure over a wide range of flows and conditions. A high-visibility, multi-scale pressure gauge features a scratch and solvent proof glass lens that will outlast all competitive gauges.

The **MHT-7000 High Tech Air Filtration System** is the latest addition to a full line of repair and refinishing products. From Pulling to Painting, Motor Guard has a product for all of your autobody repair and refinishing needs.

## MOTOR GUARD CORPORATION

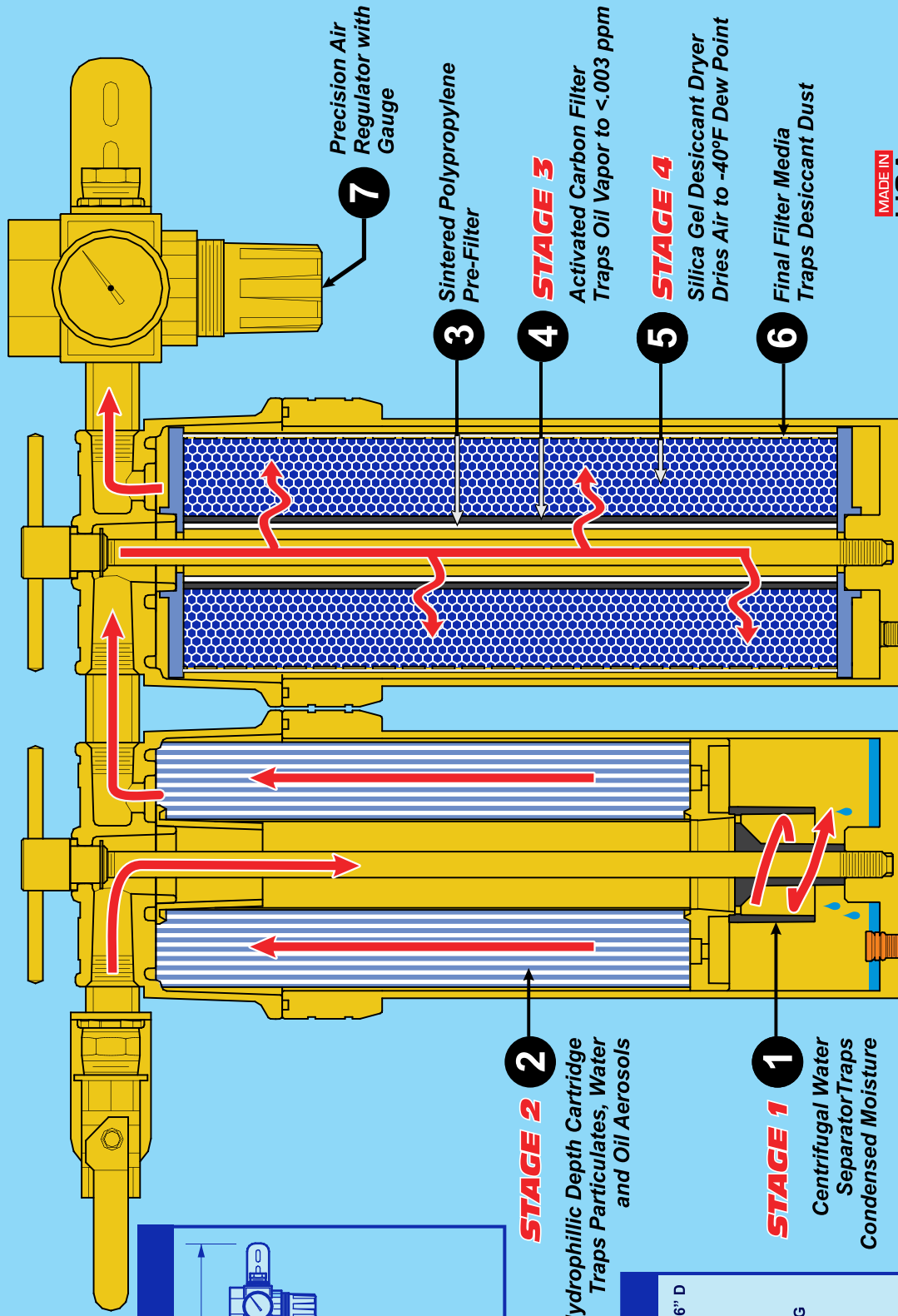
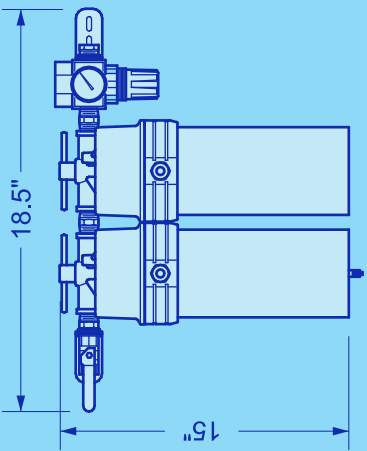
MANTECA, CALIFORNIA • (209) 239-9191 • FAX (209) 239-5114 • [www.motorguard.com](http://www.motorguard.com)

Printed in U.S.A. S1123 10/18

# MOTOR GUARD HIGH TECH

# MHT-7000 Features & Specifications

## DIMENSIONS



### STAGE 2

Hydrophillic Depth Cartridge  
Traps Particulates, Water  
and Oil Aerosols

### STAGE 1

Centrifugal Water  
Separator Traps  
Condensed Moisture

Precision Air  
Regulator with  
Gauge

3 Sintered Polypropylene  
Pre-Filter

4 **STAGE 3**  
Activated Carbon Filter  
Traps Oil Vapor to <.003 ppm

5 **STAGE 4**  
Silica Gel Desiccant Dryer  
Dries Air to -40°F Dew Point

6 Final Filter Media  
Traps Desiccant Dust

Overnight Drain Valve Drains  
when Pressure is Relieved or  
at the Push of the Button

## SPECIFICATIONS

Nominal Dimensions:	18-1/2" W x 15" H x 6" D
Shipping Weight:	18 Lbs.
Inlet Pipe Size:	1/2 NPT
Outlet Pipe Size:	3/8 NPT
Nominal Air Flow Rating:	30 SCFM
Maximum Inlet Pressure:	125 PSIG
Outlet Pressure Range:	2-125 PSIG
Operating Temperature Range:	32-120°F
Stage 1 - Water Trap Water Trap Bowl Capacity:	16 fl. oz.
Stage 2 - Particulate/Oil Filter Nominal Filtration Rating:	.01 Micron
Stage 3 - Activated Carbon Filter Oil Vapor Removal Rating:	<.003 ppm
Stage 4 - Desiccant Dryer Nominal Outlet Dew Point:	-40°F
Desiccant Capacity:	2 Quarts

